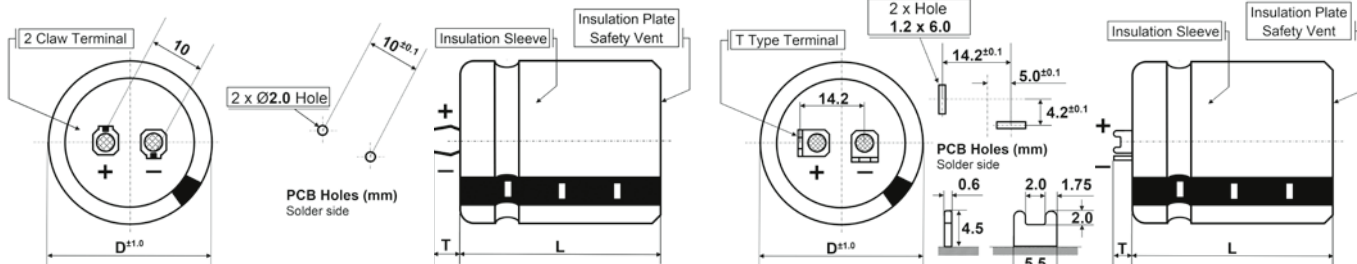


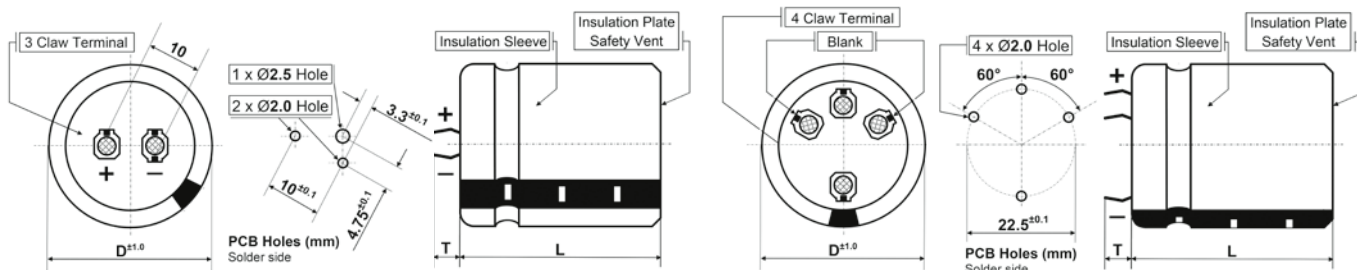


## > Snap-in Outline Drawings · Snap-in Bauformen



Shape · Form: **R** (D = 20 ~ 35 mm, long pin **T** = 6.3 ± 1.0 mm)  
**C** (D = 20 ~ 35 mm, short pin **T** = 4.0 ± 0.5 mm)

Shape · Form: **T** (D = 30 ~ 40 mm, **T** = 4.5 ± 0.5 mm)



Shape · Form: **E** (D = 22 ~ 35 mm, **T** = 4.0 ± 0.5 mm)

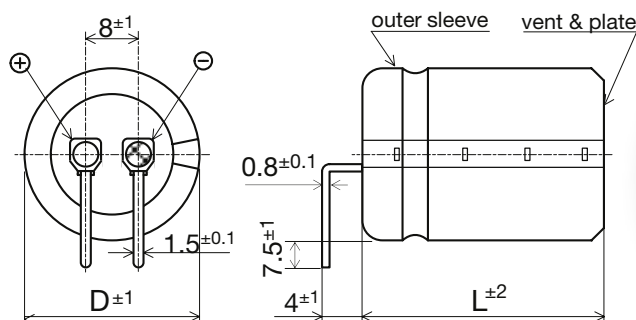
Shape · Form: **S** (D = 35 ~ 46 mm, long pin **T** = 6.3 ± 1.0 mm)  
**X** (D = 35 ~ 46 mm, short pin **T** = 4.0 ± 1.0 mm)

## > Horizontal mounting · horizontale Montage

Design available for HP3, HU3, HU and HL series · Special terminal design for applications requiring flat/low profile  
 Bauform erhältlich für HP3, HU3, HU und HL · Design für speziell flache Bauhöhe

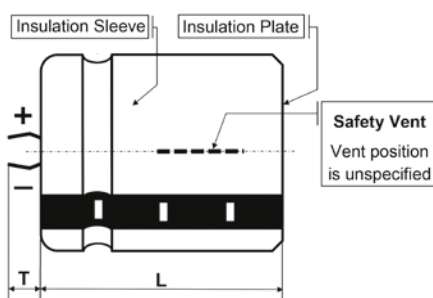
### Available Case Sizes · Bauformen

Diameter (mm)	Length (mm)
22	≥ 30
25	≥ 35
30	≥ 35
35	≥ 40

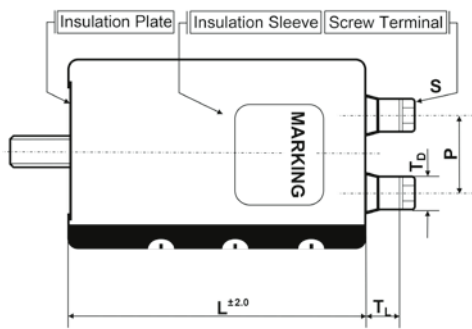


## > Side vent · seitliches Ventil

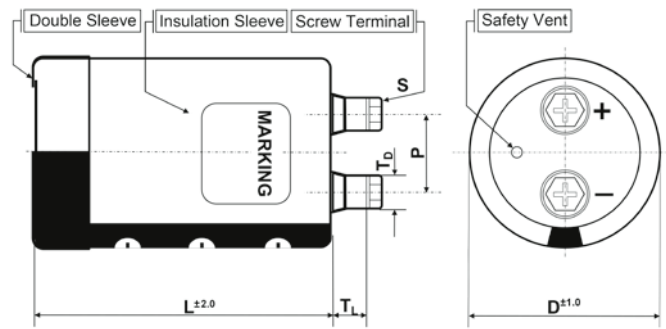
- standard design for CU and ZR2 series  
serienmäßig bei CU und ZR2
- optional design for HP3, HU3 & HU  
auf Wunsch auch für HP3, HU3 & HU



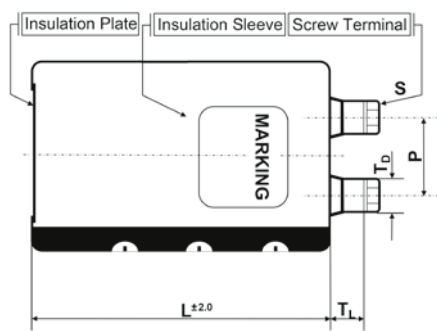
## > Screw Type Outline Drawings · Schraubanschluß Typ Bauformen



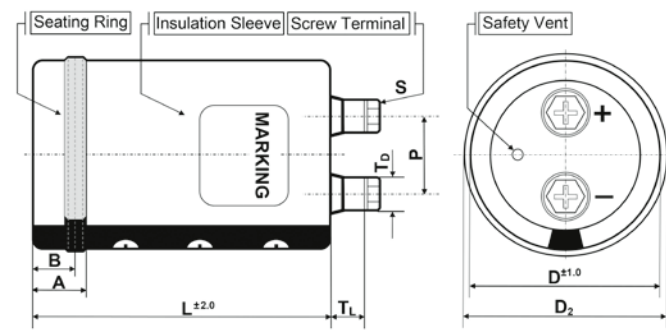
Shape · Form: **B = stud bolt** (not isolated)



Shape · Form: **I, Y, X = bottom double sleeve**  
for metal bracket mounting  
**I** type: 2 fixing point – Ø D = 36-90 mm  
**Y** type: 3 fixing point – Ø D = 51-101 mm  
**X** type: 4 fixing point – Ø D = 121 mm



Shape · Form: **N** (for PBT-Holder – ØD=77-101 mm or for press ring – ØD=64-90 mm or customized)



Shape · Form: **N** with Suffix **WC** (blank bottom and integrated seating ring for radiator mounting – ØD=77-90 mm)

Capacitor	Terminals (Standard)			Stud bolt
	ØD	P	S <sup>1)</sup>	I <sub>r max</sub>
36	12.7	M5x10	60A	M8x10
51	22.0	M5x10	60A	M12x16
64	28.6	M5x10	60A	M12x16
77	31.5	M5x10 <sup>2)</sup>	60A	M12x16
		M6x12 <sup>3)</sup>	100A	
90	31.5	M5x10 <sup>2)</sup>	60A	M12x16
		M6x12 <sup>3)</sup>	100A	
101	31.5	M6x12 <sup>4)</sup>	100A	M12x16
		M8x16 <sup>5)</sup>	120A	
121	41.5	M6x12	100A	-
	41.5	M8x16	120A	

<sup>1)</sup> First listed terminal is standard, if not mentioned in the product code

<sup>2)</sup> All series except HCGW2, HCGW3, VFR, VFLR, VGR, VGLR, FXW2

<sup>3)</sup> HCGW2, HCGW3, VFR, VFLR, VGR, VGLR, FXW2

<sup>4)</sup> HCGF5, HCGF6, HCGW, FXW

<sup>5)</sup> FX2