

2023



CAPACITORS



Aluminum Electrolytic

Excellence
in Capacitors

AIC EUROPE
Sales & Marketing in Europe of AIC Components

Excellence
in Capacitors

AICtech



As a continuation of the 70-year success story written under the Hitachi Group with the brand **HITACHI AIC**, the same players in Japan keep up their passion and quality standards for high-end capacitors under the manufacturer name **AIC tech Inc.**

With a continued spirit of innovation, **AIC tech** remains committed to stay at the forefront of the development and manufacturing of aluminum electrolytic and metallized film capacitors. This is based on the fact that **AIC tech** still holds the key technology for the aluminum anode foil in its own hands.

In addition to all the excellent product features, this significant advantage combined with **the Japanese mentality and their zero tolerance** for defects is reflected in the longevity and absolute reliability of AIC capacitors.

The annually measured field failure rate of less than 0.5 FIT is a proof of this success.

Ganz im Sinne der gut 70-jährigen Erfolgsgeschichte, die unter der Hitachi Gruppe mit der Marke **HITACHI AIC** geschrieben wurde, setzen die gleichen Akteure in Japan ihre Leidenschaft und Qualitätsstandards für High-End Kondensatoren unter dem Herstellernamen **AIC tech Inc.** fort.

Mit anhaltendem Innovationsgeist verpflichtet sich **AIC tech** weiterhin, eine Vorreiterrolle bei der Entwicklung und Fertigung von Aluminium Elektrolyt und Film Kondensatoren zu spielen. Grundlage hierfür ist die Tatsache, dass **AIC tech** weiterhin die Schlüsseltechnologie für die Aluminium Anodenfolien in den eigenen Händen hält.

Dieser bedeutende Vorteil kombiniert mit der **japanischen Mentalität und ihre Null-Toleranz** gegenüber Fehlern spiegelt sich neben allen hervorragenden Produktspezifikationen auch in der Langlebigkeit und der absoluten Zuverlässigkeit der AIC Kondensatoren wider.

Die jährlich gemessene Feldausfallrate kleiner 0,5 FIT belegt diesen Erfolg.

AIC EUROPE



We gratefully look back on over 30 years of general agency for the manufacturer, which is known on the market for one of the lowest field failure rate for many years.

Our decades of experience with capacitor bank configuration in Germany gives us the profound knowledge to select the right capacitor configuration for your application and to overcome side by side with the Japanese product engineers and your own R&D team nearly all technical challenges.

Especially here, the high current capability at the upper temperature range, the high dielectric strength, the low ESR as well as the compact designs of our products **continue to set standards in the market.**

In parallel, we reliably supply your worldwide production just in time and master the short-term demands fluctuations through our local safety and consignment stocks as well as through direct contact with the production and logisticians.

All these points make AIC EUROPE your first-class and preferred partner wherever the lifetime of your high-end application depends on the capacitor bank.

Wir blicken mit Dankbarkeit auf über 30 Jahre Generalvertretung für den Hersteller, welcher am Markt mit der niedrigsten Feldausfallrate langjährig bekannt ist.

Unsere Jahrzehnte lange Erfahrung mit der Auslegung von Kondensatoren Bänken verschafft uns das fundierte Wissen, das richtige Bauteil für Ihre Applikation zu finden und Seite an Seite mit den japanischen Entwicklern fast alle technischen Herausforderungen zu meistern.

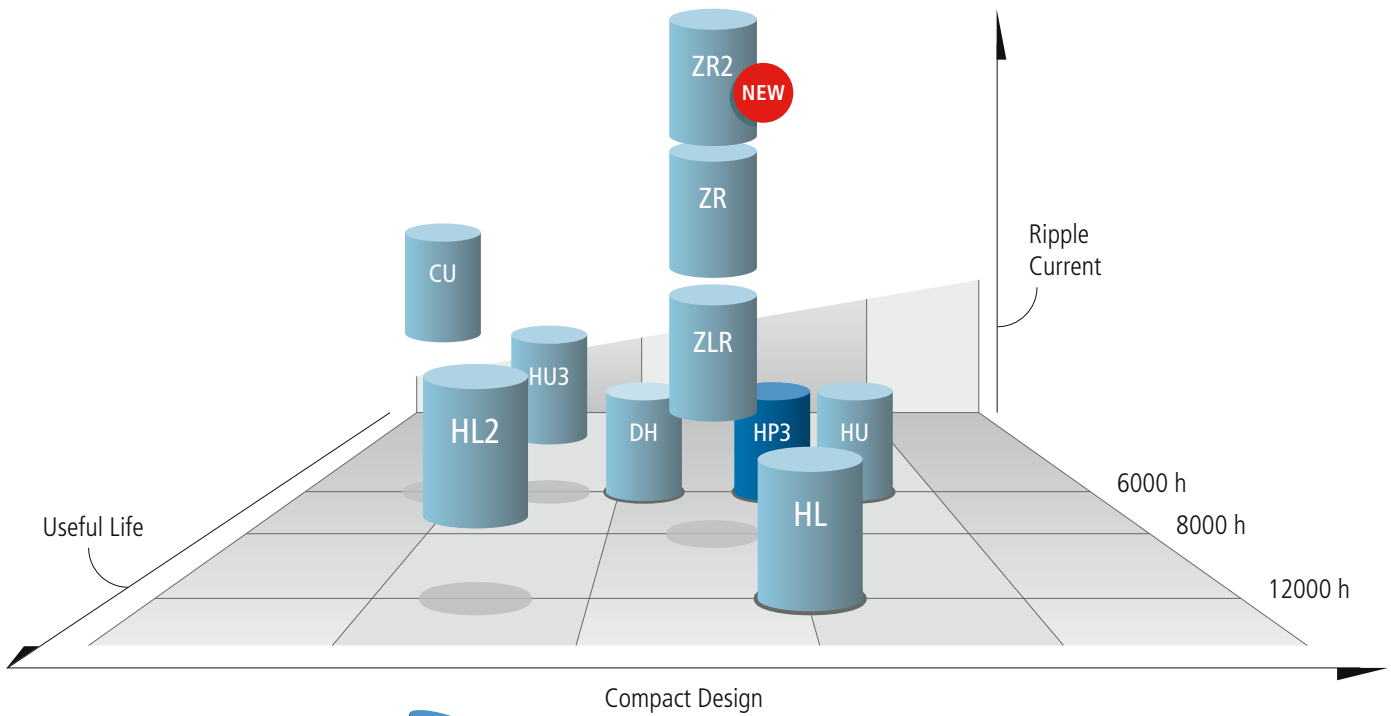
Gerade hierbei setzen die hohe Stromtragfähigkeit im oberen Temperaturbereich, die hohe Spannungsfestigkeit, der niedrige ESR sowie die kompakten Designs unserer Produkte nach wie vor Maßstäbe im Markt.

Gleichzeitig beliefern wir Ihre weltweite Produktion termingerecht und meistern kurzfristige Bedarfsschwankungen durch unsere lokalen Sicherheits- und Konsignationslager sowie durch den direkten Kontakt mit der Produktion und Logistikern.

All diese Punkte machen AIC EUROPE zu Ihrem erstklassigen und bevorzugten Partner, wo immer die Brauchbarkeitsdauer Ihrer Produkte von der Zuverlässigkeit der Kondensatoren Bank abhängt.

> Snap-In Capacitor – Series Overview

Snap-In Kondensatoren – Überblick der Serien



85 °C Snap-In Capacitor



HP3 16V–500V · -40°C ~ +85°C · 6000 h at 85°C
Standard Performances · Compact Design 16

105 °C Snap-In Capacitor



HU3 16V–500V · -40°C ~ +105°C · 6000h at 105°C
Standard Performances · Higher Ripple 31

HU 200V–550V · -25°C ~ +105°C · 6000h at 105°C
Standard Performances · Most Compact Design 44

HL 200V–500V · -25°C ~ +105°C · 12000h at 105°C
Compact Design · Long Life 53

HL2 200V–500V · -40°C ~ +105°C · 12000h at 105°C
Long Life 61

DH 400V–450V · -25°C ~ +105°C · 6000h at 105°C
Permanent and deep Charge-Discharge application Design 66

ZLR 400V–450V · -25°C ~ +105°C · 8000h at 105°C
High Ripple Current · ULTRA low ESR · Compact Design 70

ZR 400V–450V · -40°C ~ +105°C · 8000h at 105°C
Higher Ripple Current · ULTRA low ESR · Compact Design 74

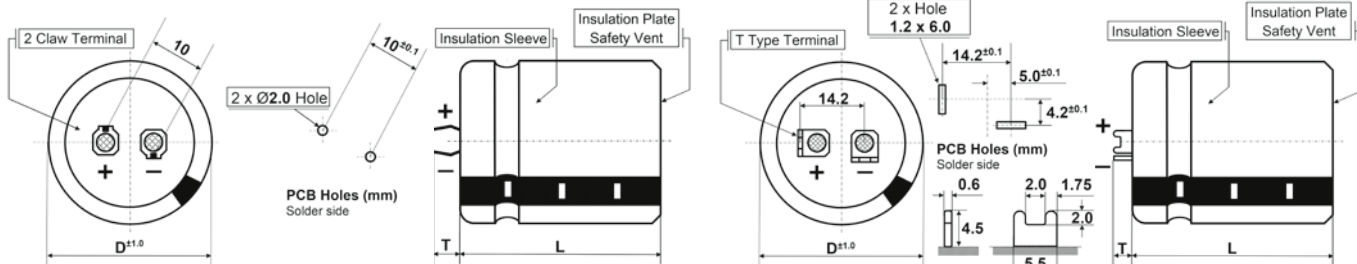
ZR2 400V–450V · -40°C ~ +105°C · 8000h at 105°C
Highest Ripple Current · Side Vent · Low ESR · Compact Design 78

CU 400V–500V · -25°C ~ +105°C · 6000h at 105°C
High Ripple Current · Side Vent · Bottom cooling Design 82



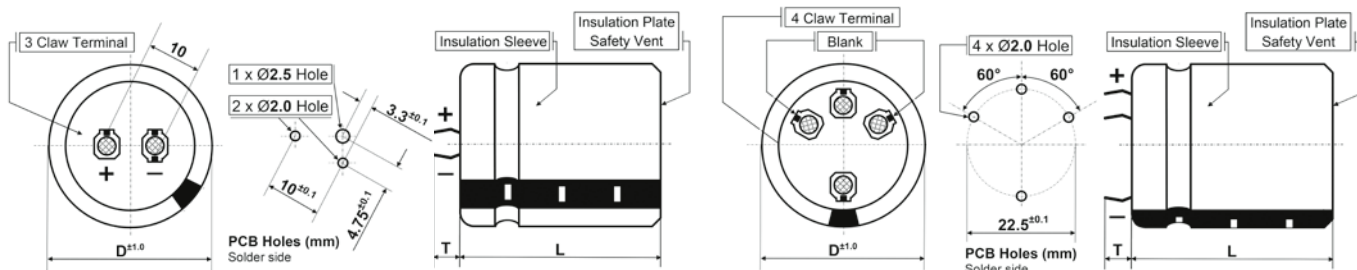


> Snap-in Outline Drawings · Snap-in Bauformen



Shape · Form: **R** (D = 20 ~ 35 mm, long pin **T** = 6.3 ± 1.0 mm)
C (D = 20 ~ 35 mm, short pin **T** = 4.0 ± 0.5 mm)

Shape · Form: **T** (D = 30 ~ 40 mm, **T** = 4.5 ± 0.5 mm)



Shape · Form: **E** (D = 22 ~ 35 mm, **T** = 4.0 ± 0.5 mm)

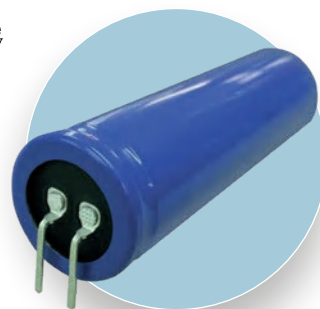
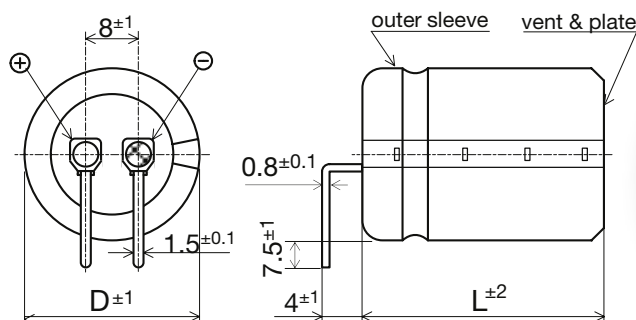
Shape · Form: **S** (D = 35 ~ 46 mm, long pin **T** = 6.3 ± 1.0 mm)
X (D = 35 ~ 46 mm, short pin **T** = 4.0 ± 1.0 mm)

> Horizontal mounting · horizontale Montage

Design available for HP3, HU3, HU and HL series · Special terminal design for applications requiring flat/low profile
 Bauform erhältlich für HP3, HU3, HU und HL · Design für speziell flache Bauhöhe

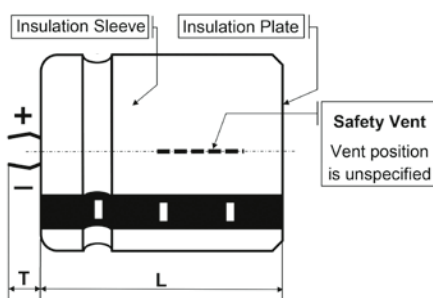
Available Case Sizes · Bauformen

Diameter (mm)	Length (mm)
22	≥ 30
25	≥ 35
30	≥ 35
35	≥ 40



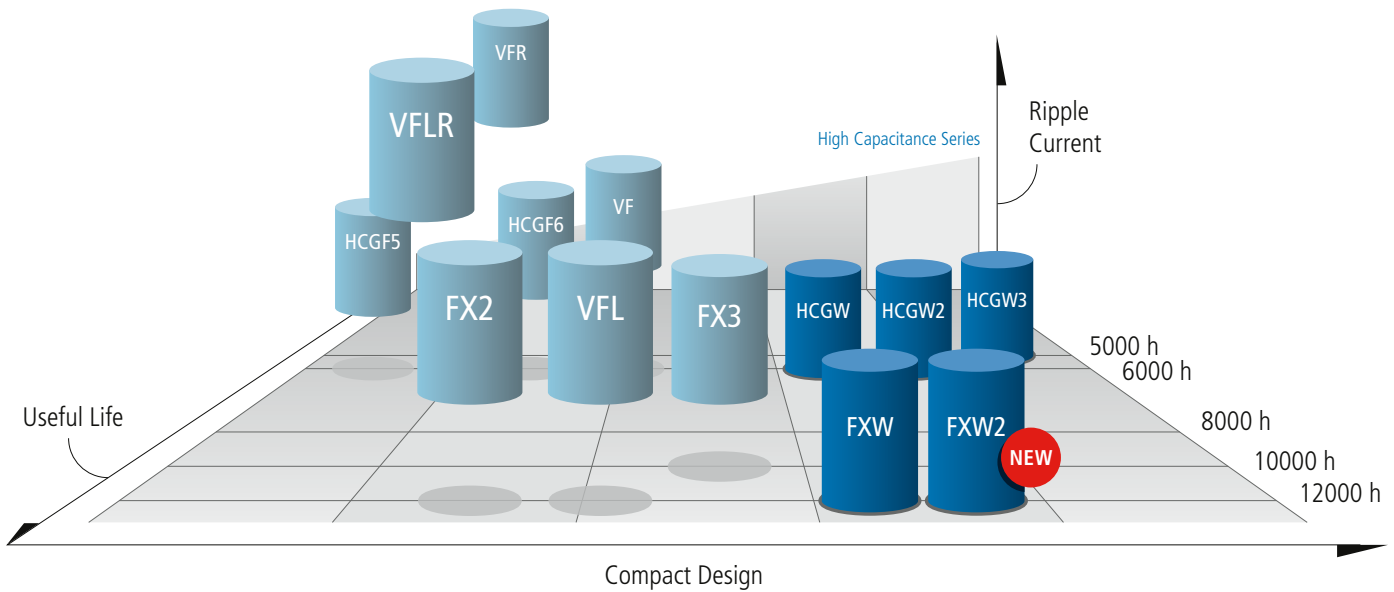
> Side vent · seitliches Ventil

- standard design for CU and ZR2 series
 serienmäßig bei CU und ZR2
- optional design for HP3, HU3 & HU
 auf Wunsch auch für HP3, HU3 & HU



> 85 °C Screw-Terminal Capacitor – Series Overview

85 °C Schraubanschluss Kondensatoren – Überblick der Serien



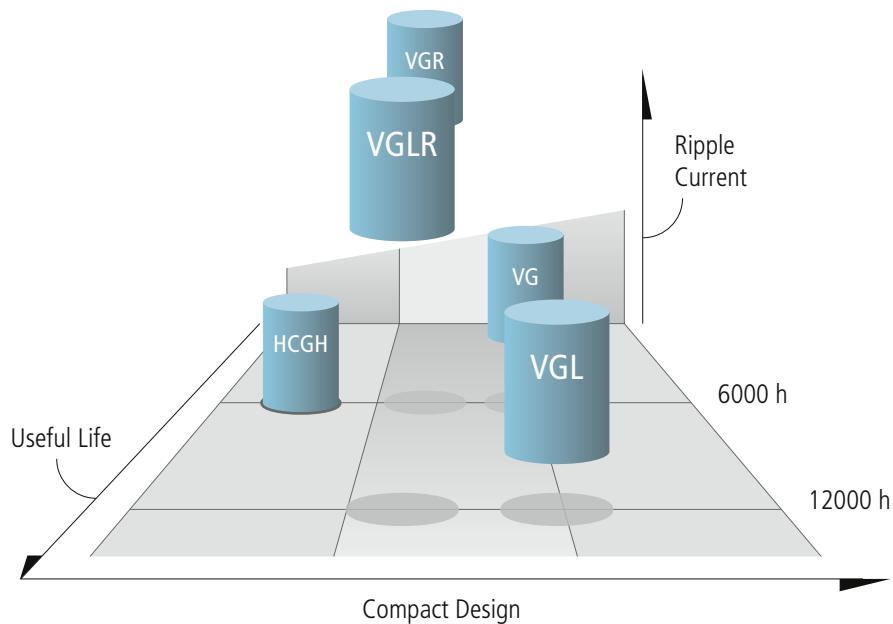
85 °C Screw-Terminal Capacitor

VF	6.3V–650V · -40°C ~ +85°C · 6000h at 85°C Standard Performances · Bottom cooling design · Smaller Size optional design for permanent and deep charge-discharge application	88
VFL	350V–600V · -40°C ~ +85°C · 12000h at 85°C Long Life · Bottom cooling design · Smaller Size optional design for permanent and deep charge-discharge application	98
FX2	350V–600V · -40°C ~ +85°C · 12000h at 85°C Long Life · Compact optional design for permanent and deep charge-discharge application	104
FX3	400V–500V · -40°C ~ +85°C · 10000h at 85°C More Compact Design · Long Life optional design for permanent and deep charge-discharge application	110
HCGW	350V–500V · -10°C ~ +85°C · 6000h at 85°C High capacitance · Ultra compact optional design for permanent and deep charge-discharge application	114
HCGW2	400V–500V · -10°C ~ +85°C · 6000h at 85°C Higher capacitance · Ultra compact optional design for permanent and deep charge-discharge application	118
HCGW3	350V–500V · -10°C ~ +70°C · 5000h at 70°C Highest capacitance · Most Compact optional design for permanent and deep charge-discharge application	122
FXW	350V–450V · -10°C ~ +85°C · 12000h at 85°C High capacitance · Ultra compact · Long Life optional design for permanent and deep charge-discharge application	126
FXW2	350V–500V · -10°C ~ +85°C · 12000h at 85°C Higher capacitance · Ultra compact · Long Life optional design for permanent and deep charge-discharge application	129
HCGF5	160V–250V · -25°C ~ +85°C · 6000h at 85°C Standard Performances · Small Diameter Design optional design for permanent and deep charge-discharge application	133

HCGF6	350V–500V · -25°C ~ +85°C · 6000h at 85°C Standard Performances · Compact optional design for permanent and deep charge-discharge application	137
VFR	350V–500V · -40°C ~ +85°C · 6000h at 85°C High Ripple Current · Bottom cooling design · Low ESR	142
VFLR	350V–500V · -40°C ~ +85°C · 12000h at 85°C Long Life · High Ripple Current · Bottom cooling design · Low ESR	147

> 105 °C Screw-Terminal Capacitor – Series Overview

105 °C Schraubanschluss Kondensatoren – Überblick der Serien







105 °C Screw-Terminal Capacitor

VG	25V–500V · -40°C ~ +105°C · 6000h at 105°C Standard Performances · Bottom cooling design optional design for permanent and deep charge-discharge application	152
VGL	350V–500V · -40°C ~ +105°C · 12000h at 105°C Long Life · Bottom cooling design optional design for permanent and deep charge-discharge application	159
HCGH	25V–450V · -40°C ~ +105°C · 6000h at 105°C Standard Performances · Small Diameters optional design for permanent and deep charge-discharge application	164
VGR	350V–500V · -40°C ~ +105°C · 6000h at 105°C High Ripple Current · Bottom cooling design · Low ESR	171
VGLR	350V–500V · -40°C ~ +105°C · 12000h at 105°C Long Life · High Ripple Current · Bottom cooling design · Low ESR	176
Mounting		181
Accessories		187
Handling Cautions		190

Screw-Terminal

> Shape Code · Form Code



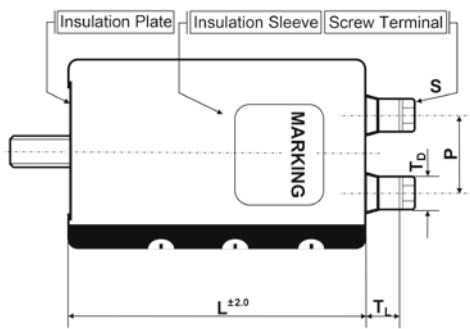
Shape Code	N	N + suffix WC	B	I or Y or X
single outer sleeve	•	•	•	•
standard or customized insulation plate	•		•	•
stud bolt for cap nut fixing			•	
bottom double sleeve for mounting with metal bracket				•
integrated seating ring and blank bottom for radiator mounting		•		
Mounting for details refer to p. 173 ff Montage Montagedetails siehe S. 173 ff	 <p>PBT holder/pressing/ customized mounting</p>	 <p>PBT holder for bottom cooling</p>	 <p>Cap Nut fixing</p>	 <p>metal bracket mounting</p>

> Terminal thread hole depth & tightening torques
 Gewindebohrungstiefe und Anzugsdrehmomente

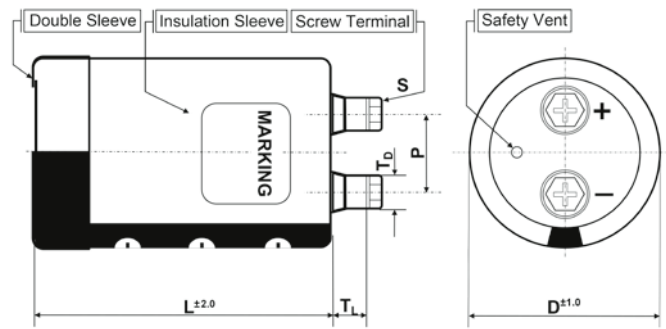
Cap material	Terminal	Series	Thread hole depth	Tightening torque		
				Recommended	Min	Max
PH	M5	HCGF5/-6, FX2/-3, HCGW, FXW, HCGH	9 mm	2.2 Nm	1.5 Nm	3.0 Nm
		VF(L), VG(L), VF(L)R, VG(L)R, HCGW2/-3, FXW2	10 mm			
	M6	all	11 mm	3.5 Nm	3.0 Nm	4.0 Nm*
PPS	M8	FX2	13 mm	7.5 Nm	7.0 Nm	8.0 Nm
	M5	all	10 mm	2.2 Nm	1.5 Nm	3.0 Nm
	M6	all	10 mm	3.5 Nm	3.0 Nm	4.0 Nm*

* 6.0 Nm when Screw-In depth >= 9mm

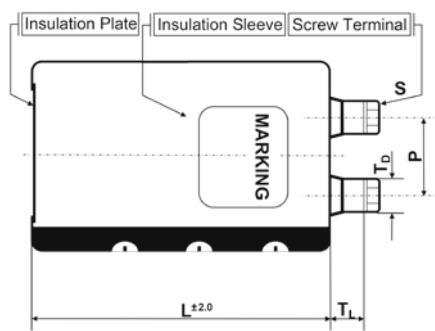
> Screw Type Outline Drawings · Schraubanschluß Typ Bauformen



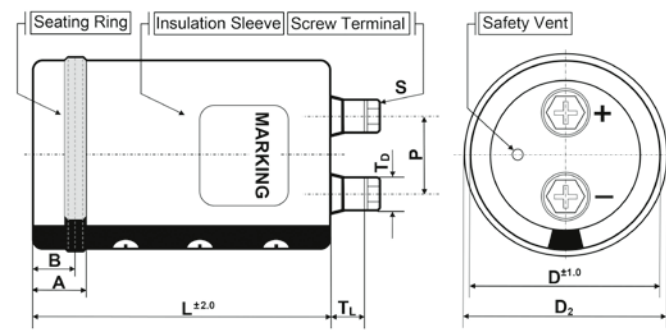
Shape · Form: **B = stud bolt** (not isolated)



Shape · Form: **I, Y, X = bottom double sleeve**
for metal bracket mounting
I type: 2 fixing point – Ø D = 36-90 mm
Y type: 3 fixing point – Ø D = 51-101 mm
X type: 4 fixing point – Ø D = 121 mm



Shape · Form: **N** (for PBT-Holder – ØD=77-101 mm or for press ring – ØD=64-90 mm or customized)



Shape · Form: **N** with Suffix **WC** (blank bottom and integrated seating ring for radiator mounting – ØD=77-90 mm)

Capacitor	Terminals (Standard)			Stud bolt
	ØD	P	S ¹⁾	I _{r max}
36	12.7	M5x10	60A	M8x10
51	22.0	M5x10	60A	M12x16
64	28.6	M5x10	60A	M12x16
77	31.5	M5x10 ²⁾	60A	M12x16
		M6x12 ³⁾	100A	
90	31.5	M5x10 ²⁾	60A	M12x16
		M6x12 ³⁾	100A	
101	31.5	M6x12 ⁴⁾	100A	M12x16
		M8x16 ⁵⁾	120A	
121	41.5	M6x12	100A	-
	41.5	M8x16	120A	

¹⁾ First listed terminal is standard, if not mentioned in the product code

²⁾ All series except HCGW2, HCGW3, VFR, VFLR, VGR, VGLR, FXW2

³⁾ HCGW2, HCGW3, VFR, VFLR, VGR, VGLR, FXW2

⁴⁾ HCGF5, HCGF6, HCGW, FXW

⁵⁾ FX2

Compliance statement

Compliance Erklärung

As a well-established European supplier of electronic components, we are aware of our responsibilities and obligations in regards to the laws and regulations concerning the safety, health and welfare at work of every single person working along our supply chain as well as of the people who come into contact with our components.

This leads AIC Europe to exclusively work with manufacturers who share our respect for human rights, ethics and the protection of the environment and in particular to take due diligence, that their parts entirely complies with the applicable regulations.

Products and accessories from this catalog comply among other with the following regulations and directives at the beginning of 2023:

Als langjähriger europäischer Lieferant von elektronischen Bauteilen sind wir uns unserer Verantwortung und Verpflichtung gegenüber den Gesetzen und Vorschriften in Bezug auf die Sicherheit, die Gesundheit und das Wohlergehen jedes einzelnen Mitarbeiters in unserer Lieferkette sowie der Menschen, die mit unseren Bauteilen in Berührung kommen, bewusst.

Dies veranlasst AIC Europe, ausschließlich mit Herstellern zusammenzuarbeiten, die unsere Achtung der Menschenrechte, der Ethik und des Umweltschutzes teilen und insbesondere darauf zu achten, dass ihre Erzeugnisse den geltenden Vorschriften vollständig entsprechen.

Produkte und Zubehör aus diesem Katalog erfüllen zu Beginn 2023 unter anderen folgende Vorschriften:

- Restriction of Hazardous Substances Directive **RoHS** 2011/65/EU & amendment (EU)2015/863
- Regulation (EC) No 1907/2006 **REACH**
Registration, Evaluation, Authorisation and Restriction of Chemicals based on the SVHC candidate list updated by 2023, January 17th
- OECD Due Diligence Guidance for Responsible Supply Chains of Minerals from Conflict-Affected and High-Risk Areas by providing for all our products
 - a Conflict Minerals Reporting Template (**CMRT**) in accordance with the Dodd-Frank Wall Street Reform and Consumer Protection Act, Section 1502 on conflict minerals
 - an Extended Minerals Reporting Template (**EMRT**) for further conflict minerals
- Regulation/Verordnung (EU) 2019/1021 on persistent organic pollutants – **POP** amended by delegated Regulation (EU) 2021/277
- Safe Drinking Water and Toxic Enforcement Act of 1986 (California's Proposition **CP65**)
Chemicals known to the State to cause cancer or reproductive toxicity (as of Dec 8, 2020)
- Toxic Substances Control Act 1976 EPA **TSCA** 6 (h)



AICtech & AIC EUROPE

AIC tech and AIC EUROPE remain committed to

- continuously collect relevant information with our reasonably best available effort from our suppliers and provide our best available information to our customers
- provide updated information timely to the customers when we receive modified or added information from our suppliers
- strive to spread this approach along our supply chains to ensure that, in the end, our customers too comply with the relevant regulations

AIC tech und AIC EUROPE verpflichten sich weiterhin

- kontinuierlich und nach bestem Wissen und Gewissen relevante Informationen von ihren Lieferanten zu sammeln und ihren Kunden die besten verfügbaren Informationen zur Verfügung zu stellen.
- ihren Kunden rechtzeitig aktualisierte Informationen zur Verfügung zu stellen, wenn wir geänderte oder zusätzliche Informationen von unseren Lieferanten erhalten
- sich zu bemühen, diesen Ansatz entlang unserer Lieferketten zu verbreiten, um sicherzustellen, dass am Ende auch unsere Kunden die relevanten Vorschriften einhalten.

Snap-In Series Data

HP3 · HU3 · HU · HL · HL2 · DH · ZLR · ZR · ZR2 · CU



AIC*tech*

HP3 · Snap-In · 6000 h/85 °C

Standard Performances · Compact Design

> Specifications · Spezifikationen

Items	Characteristics
Temperature range	-40°C ~ + 85°C
Capacitance tolerance (at 20°C)	Standard +/- 20%, -10%/+30% on request
Surge voltage	Repetitive max. 30 sec per 6 Minutes
Leakage current max. I _L (20°C, 5min)	0.02 · C · V, [μA] or 3 mA, which is smaller.
Useful life	6000 hours at 85°C
Field failure rate	0.5 FIT = 0.5 · 10 ⁻⁹ Failures/hour
Reference standards	IEC 60384-4, JIS C 5101-4, AEC-Q200 qualified
Vibration	0.75mm, 10...55Hz, 10g, 3x2h
Sleeve withstanding voltage	3000 Vac/1 min between terminals bundled and plate*
Product Compliance	RoHS, REACH, Conflict Minerals a.o. - refer to p. 12-13



* Typical value using sleeve which is free from any scratches and damages

> Outline Drawings · Bauformen

Refer to page 7 for available terminal shapes and dimensions. · Auf Seite 7 finden Sie die verfügbaren Bauformen und Maße.

> Product Code · Bestellbezeichnung

Example: Series HP3 · 350 V · 1200 μF ± 20 % · 35x80 mm · 4-Pin terminal · without plate

HP3		2V		122		M		S		A		S13		WPEC																			
Type of series		Capacitance code				Terminal symbol code		Diameter code		Outer design code																							
		The first two digits are significant. The last digit indicates the number of following zeros in μF.				R: 2-claw 6.3 mm S: 4-claw 6.3 mm C: 2-claw short 4.0 mm X: 4-claw short 4.0 mm E: 3-claw short 4.0 mm T: 2-lugs 4.5 mm		<table border="1"> <thead> <tr> <th>Code</th> <th>ØD</th> </tr> </thead> <tbody> <tr><td>W</td><td>20</td></tr> <tr><td>X</td><td>22</td></tr> <tr><td>Y</td><td>25</td></tr> <tr><td>Z</td><td>30</td></tr> <tr><td>A</td><td>35</td></tr> <tr><td>B</td><td>40</td></tr> <tr><td>H</td><td>46</td></tr> <tr><td>C</td><td>50</td></tr> </tbody> </table>		Code	ØD	W	20	X	22	Y	25	Z	30	A	35	B	40	H	46	C	50	None: PET sleeve and PVC plate WPEC: PET sleeve without plate Others on request					
Code	ØD																																
W	20																																
X	22																																
Y	25																																
Z	30																																
A	35																																
B	40																																
H	46																																
C	50																																
Rated voltage code						Capacitance tolerance		Length code																									
Code	Voltage	Code	Voltage	Code	Voltage	M : ± 20% Q : -10% ~ +30%		Code	L	Code	L	Code	L	Code	L																		
1C	16	2A	100	2G	400			S1	20	S8	55	S15	90																				
1E	25	2C	160	420V	420			S2	25	S9	60	S16	95																				
1V	35	2P	180	2W	450			S3	30	S10	65	S17	100																				
1H	50	2D	200	2H	500			S4	35	S11	70	S18	105																				
1J	63	2E	250					S5	40	S12	75	S19	110																				
1K	80	2V	350					S6	45	S13	80																						
								S7	50	S14	85																						

Rated VoltageCode (Surge Voltage) V_r [V DC]	Capacitance C_r [μ F]	Ripple Current at 85°C/120Hz I_r [A RMS]	Ripple Current at 40°C/120Hz [A RMS]	ESR (typ) at 20°C/100Hz [m Ω]	Dissipation Factor at 20°C/100Hz Tan δ	DxL [mm]	Product Code # = variable value, see fixing code in the product code
16 VDC Code: 1C Surge Voltage 20 VDC	6 800	1.96	3.72	51	0.50	22x25	HP31C682M#XS2
	10 000	2.13	4.06	41	0.50	22x30	HP31C103M#XS3
		2.11	4.02	41	0.50	25x25	HP31C103M#YS2
	15 000	2.92	5.54	28	0.50	22x40	HP31C153M#XS5
		2.77	5.27	28	0.50	25x30	HP31C153M#YS3
	22 000	3.87	7.36	22	0.50	25x45	HP31C223M#YS6
		3.55	6.75	22	0.50	30x30	HP31C223M#ZS3
	33 000	4.71	8.94	17	0.50	30x45	HP31C333M#ZS6
		4.53	8.61	17	0.50	35x35	HP31C333M#AS4
	47 000	5.67	10.77	12	0.50	35x40	HP31C473M#AS5
68 000	7.12	13.52	12	0.90	35x60	HP31C683M#AS9	
100 000	8.88	16.86	10	1.20	40x60	HP31C104M#BS9	
25 VDC Code: 1E Surge Voltage 32 VDC	4 700	1.63	3.09	88	0.40	22x25	HP31E472M#XS2
	6 800	2.08	3.95	70	0.40	22x30	HP31E682M#XS3
		2.06	3.91	70	0.40	25x25	HP31E682M#YS2
	10 000	2.27	4.30	48	0.40	22x35	HP31E103M#XS4
		2.27	4.30	48	0.40	25x30	HP31E103M#YS3
		2.27	4.30	48	0.40	30x25	HP31E103M#ZS2
	15 000	2.94	5.58	32	0.40	25x35	HP31E153M#YS4
		2.94	5.58	32	0.40	30x30	HP31E153M#ZS3
		2.94	5.58	32	0.40	35x25	HP31E153M#AS2
	18 000	3.36	6.38	27	0.40	22x45	HP31E183M#XS6
		3.87	7.36	22	0.40	25x45	HP31E223M#YS6
	22 000	3.75	7.13	22	0.40	30x35	HP31E223M#ZS4
		4.90	9.31	17	0.50	30x50	HP31E333M#ZS7
	33 000	4.74	9.01	17	0.50	35x40	HP31E333M#AS5
35 VDC Code: 1V Surge Voltage 44 VDC	3 300	1.52	2.88	165	0.35	22x25	HP31V332M#XS2
	4 700	1.73	3.28	115	0.35	22x30	HP31V472M#XS3
		1.72	3.26	115	0.35	25x25	HP31V472M#YS2
	6 800	2.21	4.20	80	0.35	22x35	HP31V682M#XS4
		2.21	4.20	80	0.35	25x30	HP31V682M#YS3
		2.21	4.20	80	0.35	30x25	HP31V682M#ZS2
	10 000	2.50	4.74	55	0.35	22x45	HP31V103M#XS6
		2.40	4.55	55	0.35	25x35	HP31V103M#YS4
		2.40	4.55	55	0.35	30x30	HP31V103M#ZS3
	15 000	3.33	6.34	35	0.35	25x50	HP31V153M#YS7
		3.10	5.90	35	0.35	30x35	HP31V153M#ZS4
		3.10	5.90	35	0.35	35x30	HP31V153M#AS3
	18 000	3.48	6.60	35	0.35	30x35	HP31V183M#ZS4
		3.55	6.75	30	0.35	30x40	HP31V183M#ZS5
	20 000	3.34	6.36	28	0.35	30x40	HP31V203M#ZS5
	22 000	4.10	7.80	25	0.40	30x45	HP31V223M#ZS6
		4.14	7.85	25	0.40	35x40	HP31V223M#AS5
	27 000	4.48	8.51	25	0.45	35x35	HP31V273M#AS4
	33 000	4.84	9.20	20	0.50	30x50	HP31V333M#ZS7
5.14		9.76	20	0.50	35x50	HP31V333M#AS7	

Additional designs on request · Weitere Designs auf Anfrage

Rated VoltageCode (Surge Voltage) V_r [V DC]	Capacitance C_r [μ F]	Ripple Current at 85°C/120Hz I_r [A RMS]	Ripple Current at 40°C/120Hz [A RMS]	ESR (typ) at 20°C/100Hz [m Ω]	Dissipation Factor at 20°C/100Hz Tan δ	DxL [mm]	Product Code # = variable value, see fixing code in the product code
50 VDC Code: 1H Surge Voltage 63 VDC	2 200	1.24	2.37	108	0.30	22x25	HP31H222M#XS2
	3 300	1.62	3.07	72	0.30	22x30	HP31H332M#XS3
		1.61	3.05	72	0.30	25x25	HP31H332M#YS2
	4 700	1.84	3.49	50	0.30	22x35	HP31H472M#XS4
		1.84	3.49	50	0.30	25x30	HP31H472M#YS3
	6 800	2.54	4.83	35	0.30	22x50	HP31H682M#XS7
		2.43	4.62	35	0.30	25x40	HP31H682M#YS5
		2.34	4.46	35	0.30	30x30	HP31H682M#ZS3
	10 000	2.73	5.18	32	0.35	25x50	HP31H103M#YS7
		2.53	4.81	32	0.35	35x30	HP31H103M#AS3
	12 000	2.90	5.51	31	0.40	30x40	HP31H123M#ZS5
	15 000	3.53	6.71	25	0.45	30x50	HP31H153M#ZS7
		3.41	6.48	25	0.45	35x40	HP31H153M#AS5
	63 VDC Code: 1J Surge Voltage 79 VDC	1 500	1.19	2.26	159	0.25	22x25
2 200		1.32	2.51	108	0.25	22x30	HP31J222M#XS3
		1.31	2.49	108	0.25	25x25	HP31J222M#YS2
3 300		1.72	3.26	80	0.25	22x35	HP31J332M#XS4
		1.72	3.26	80	0.25	25x30	HP31J332M#YS3
3 900		1.72	3.26	80	0.25	30x25	HP31J332M#ZS2
		1.86	3.53	70	0.25	25x30	HP31J392M#YS3
4 700		2.02	3.85	60	0.25	22x45	HP31J472M#XS6
		1.95	3.70	60	0.25	25x35	HP31J472M#YS4
		1.95	3.70	60	0.25	30x30	HP31J472M#ZS3
6 800		2.66	5.06	40	0.25	25x50	HP31J682M#YS7
		2.48	4.71	40	0.25	30x35	HP31J682M#ZS4
8 200		2.68	5.10	42	0.25	35x30	HP31J822M#AS3
10 000		2.77	5.27	42	0.35	30x45	HP31J103M#ZS6
	2.78	5.29	35	0.35	35x40	HP31J103M#AS5	
15 000	3.70	7.02	35	0.35	35x50	HP31J153M#AS7	
27 000	5.90	11.20	20	0.35	40x80	HP31J273M#BS13	
80 VDC Code: 1K Surge Voltage 100 VDC	1 000	0.97	1.84	230	0.20	22x25	HP31K102M#XS2
	1 200	1.06	2.00	155	0.20	22x25	HP31K122M#XS2
	1 500	1.27	2.41	155	0.20	22x30	HP31K152M#XS3
		1.24	2.37	105	0.20	25x25	HP31K152M#YS2
	2 200	1.47	2.81	105	0.20	22x40	HP31K222M#XS5
		1.41	2.67	105	0.20	25x30	HP31K222M#YS3
	3 300	1.98	3.76	70	0.25	22x50	HP31K332M#XS7
		1.89	3.60	70	0.25	25x40	HP31K332M#YS5
		1.82	3.45	70	0.25	30x30	HP31K332M#ZS3
	4 700	2.21	4.20	50	0.25	25x50	HP31K472M#YS7
		2.16	4.09	50	0.25	30x40	HP31K472M#ZS5
		2.06	3.91	50	0.25	35x30	HP31K472M#AS3
	6 800	2.82	5.35	35	0.25	30x50	HP31K682M#ZS7

Additional designs on request · Weitere Designs auf Anfrage

Rated VoltageCode (Surge Voltage) V_r [V DC]	Capacitance C_r [μ F]	Ripple Current at 85°C/120Hz I_r [A RMS]	Ripple Current at 40°C/120Hz [A RMS]	ESR (typ) at 20°C/100Hz [m Ω]	Dissipation Factor at 20°C/100Hz Tan δ	DxL [mm]	Product Code # = variable value, see fixing code in the product code
80 VDC Code: 1K Surge Voltage 100 VDC	6 800	2.72	5.16	35	0.25	35x40	HP31K682M#AS5
	8 200	3.32	6.31	30	0.30	30x60	HP31K822M#ZS9
	10 000	3.74	7.11	25	0.30	41x50	HP31K103M#BS7
	12 000	7.70	14.63	25	0.30	35x60	HP31K123M#AS9
100 VDC Code: 2A Surge Voltage 125 VDC	1 000	1.03	1.97	180	0.20	22x30	HP32A102M#XS3
		1.02	1.95	180	0.20	25x25	HP32A102M#YS2
	1 500	1.34	2.55	120	0.20	22x35	HP32A152M#XS4
		1.34	2.55	120	0.20	30x25	HP32A152M#ZS2
	2 200	1.62	3.07	82	0.20	22x50	HP32A222M#XS7
		1.55	2.95	82	0.20	25x40	HP32A222M#YS5
		1.49	2.83	82	0.20	30x30	HP32A222M#ZS3
	3 300	2.07	3.93	60	0.20	25x50	HP32A332M#YS7
		2.01	3.83	60	0.20	30x40	HP32A332M#ZS5
		1.93	3.66	60	0.20	35x30	HP32A332M#AS3
	4 700	2.33	4.43	45	0.25	30x50	HP32A472M#ZS7
		2.26	4.29	45	0.25	35x40	HP32A472M#AS5
	5 600	2.45	4.66	40	0.25	35x40	HP32A562M#AS5
		2.57	4.90	40	0.25	35x45	HP32A562M#AS6
	6 800	2.95	5.60	35	0.25	35x50	HP32A682M#AS7
	160 VDC Code: 2C Surge Voltage 200 VDC	390	1.65	3.14	365	0.15	22x25
470		1.94	3.67	305	0.15	22x30	HP32C471M#XS3
		1.91	3.64	305	0.15	25x25	HP32C471M#YS2
560		2.23	4.25	255	0.15	22x35	HP32C561M#XS4
		2.22	4.22	255	0.15	25x30	HP32C561M#YS3
680		2.60	4.93	210	0.15	22x40	HP32C681M#XS5
		2.46	4.69	210	0.15	25x30	HP32C681M#YS3
		2.46	4.69	210	0.15	30x25	HP32C681M#ZS2
820		2.99	5.69	175	0.15	22x45	HP32C821M#XS6
		2.87	5.46	175	0.15	25x35	HP32C821M#YS4
		2.87	5.46	175	0.15	30x30	HP32C821M#ZS3
1 000		3.44	6.55	145	0.15	22x50	HP32C102M#XS7
		3.30	6.27	145	0.15	25x40	HP32C102M#YS5
		3.17	6.02	145	0.15	30x30	HP32C102M#ZS3
1 200		3.78	7.19	120	0.15	25x45	HP32C122M#YS6
		3.67	6.99	120	0.15	30x35	HP32C122M#ZS4
1 500	4.30	8.17	95	0.15	30x40	HP32C152M#ZS5	
	4.36	8.27	95	0.15	35x35	HP32C152M#AS4	
1 800	4.92	9.34	80	0.15	30x45	HP32C182M#ZS6	
	4.77	9.08	80	0.15	35x35	HP32C182M#AS4	
2 200	4.51	8.57	95	0.15	35x40	HP32C222M#CAS51P	
3 300	8.11	15.40	45	0.20	41x61	HP32C332M#BS9	
180 VDC Code: 2P Surge Voltage 225 VDC	330	1.52	2.88	375	0.15	22x25	HP32P331M#XS2
	390	1.76	3.34	320	0.15	22x30	HP32P391M#XS3
		1.74	3.30	320	0.15	25x25	HP32P391M#YS2
	470	1.94	3.67	265	0.15	22x30	HP32P471M#XS3
1.91		3.64	265	0.15	25x25	HP32P471M#YS2	

Additional designs on request · Weitere Designs auf Anfrage

Rated VoltageCode (Surge Voltage) V_r [V DC]	Capacitance C_r [μ F]	Ripple Current at 85°C/120Hz I_r [A RMS]	Ripple Current at 40°C/120Hz [A RMS]	ESR (typ) at 20°C/100Hz [m Ω]	Dissipation Factor at 20°C/100Hz Tan δ	DxL [mm]	Product Code # = variable value, see fixing code in the product code	
180 VDC Code: 2P Surge Voltage 225 VDC	560	2.23	4.25	225	0.15	22x35	HP32P561M#XS4	
		2.23	4.25	225	0.15	25x30	HP32P561M#YS3	
		2.23	4.25	225	0.15	30x25	HP32P561M#ZS2	
	680	2.60	4.93	185	0.15	22x40	HP32P681M#XS5	
		2.59	4.92	185	0.15	25x35	HP32P681M#YS4	
		2.46	4.69	185	0.15	30x25	HP32P681M#ZS2	
	820	2.99	5.69	155	0.15	25x40	HP32P821M#YS5	
		2.87	5.46	155	0.15	30x30	HP32P821M#ZS3	
	1 000	3.45	6.57	125	0.15	25x45	HP32P102M#YS6	
		3.17	6.02	125	0.15	35x25	HP32P102M#AS2	
	1 200	3.95	7.50	105	0.15	25x50	HP32P122M#YS7	
		3.84	7.29	105	0.15	30x40	HP32P122M#ZS5	
		4.49	8.53	85	0.15	30x45	HP32P152M#ZS6	
		4.36	8.27	85	0.15	35x35	HP32P152M#AS4	
	1 800	4.95	9.41	70	0.15	35x40	HP32P182M#AS5	
		5.02	9.53	70	0.15	40x36	HP32P182M#BS4	
	200 VDC Code: 2D Surge Voltage 250 VDC	220	1.50	2.84	485	0.15	22x25	HP32D221M#XS2
		270	1.65	3.14	395	0.15	22x25	HP32D271M#XS2
330		1.82	3.45	325	0.15	22x25	HP32D331M#XS2	
		1.94	3.67	325	0.15	22x30	HP32D331M#XS3	
390		2.09	3.97	275	0.15	25x25	HP32D391M#YS2	
470		2.13	4.06	230	0.15	22x30	HP32D471M#XS3	
		2.11	4.02	230	0.15	25x25	HP32D471M#YS2	
		2.45	4.66	230	0.15	25x30	HP32D471M#YS3	
		2.45	4.66	230	0.15	30x25	HP32D471M#ZS2	
560		2.48	4.71	190	0.15	22x35	HP32D561M#XS4	
		2.45	4.66	190	0.15	25x30	HP32D561M#YS3	
680		2.87	5.46	160	0.15	22x40	HP32D681M#XS5	
		3.15	5.97	160	0.15	25x35	HP32D681M#YS4	
		3.15	5.97	160	0.15	30x30	HP32D681M#ZS3	
820		3.59	6.81	130	0.15	25x40	HP32D821M#YS5	
		3.44	6.55	130	0.15	30x30	HP32D821M#ZS3	
1 000		3.81	7.23	110	0.15	25x45	HP32D102M#YS6	
		4.00	7.61	110	0.15	30x35	HP32D102M#ZS4	
1 200		4.61	8.76	90	0.15	30x40	HP32D122M#ZS5	
		4.04	7.67	90	0.15	35x30	HP32D122M#AS3	
1 500		4.74	9.01	75	0.15	35x35	HP32D152M#AS4	
	5.49	10.43	75	0.15	40x36	HP32D152M#BS4		
1 800	5.67	10.77	60	0.15	35x45	HP32D182M#AS6		
	6.42	12.21	60	0.15	35x50	HP32D182M#AS7		
	6.23	11.83	60	0.15	40x41	HP32D182M#BS5		
2 200	6.68	12.68	50	0.15	35x50	HP32D222M#AS7		
2 700	6.56	12.45	50	0.15	35x50	HP32D272M#AS7		
4 700	9.36	17.78	27	0.15	35x80	HP32D472M#AS13		

Additional designs on request · Weitere Designs auf Anfrage

Rated VoltageCode (Surge Voltage) V_r [V DC]	Capacitance C_r [μF]	Ripple Current at 85°C/120Hz I_r [A RMS]	Ripple Current at 40°C/120Hz [A RMS]	ESR (typ) at 20°C/100Hz [mΩ]	Dissipation Factor at 20°C/100Hz Tan δ	DxL [mm]	Product Code # = variable value, see fixing code in the product code
250 VDC Code: 2E Surge Voltage 300 VDC	220	1.50	2.84	485	0.15	22x25	HP32E221M#XS2
	270	1.52	2.88	395	0.15	22x25	HP32E271M#XS2
		1.76	3.34	395	0.15	22x30	HP32E271M#XS3
	330	1.79	3.41	325	0.15	22x30	HP32E331M#XS3
		2.06	3.91	325	0.15	22x35	HP32E331M#XS4
		1.76	3.34	325	0.15	25x25	HP32E331M#YS2
		2.05	3.88	325	0.15	25x30	HP32E331M#YS3
	390	2.24	4.27	275	0.15	22x35	HP32E391M#XS4
		2.24	4.27	275	0.15	25x30	HP32E391M#YS3
	470	2.59	4.92	230	0.15	22x40	HP32E471M#XS5
		2.59	4.92	230	0.15	25x35	HP32E471M#YS4
		2.62	4.97	230	0.15	35x25	HP32E471M#AS2
	560	2.73	5.18	190	0.15	22x45	HP32E561M#XS6
		2.82	5.35	190	0.15	25x35	HP32E561M#YS4
		2.85	5.41	190	0.15	30x30	HP32E561M#ZS3
	680	3.40	6.46	160	0.15	22x50	HP32E681M#XS7
		3.42	6.50	160	0.15	25x45	HP32E681M#YS6
		2.86	5.43	160	0.15	30x30	HP32E681M#ZS3
	820	3.44	6.55	130	0.15	25x45	HP32E821M#YS6
		3.31	6.29	130	0.15	30x35	HP32E821M#ZS4
	1 000	4.21	8.01	110	0.15	30x40	HP32E102M#ZS5
		4.27	8.11	110	0.15	35x35	HP32E102M#AS4
	1 200	4.39	8.34	90	0.15	30x45	HP32E122M#ZS6
		4.84	9.20	90	0.15	35x40	HP32E122M#AS5
	1 500	5.65	10.75	75	0.15	35x45	HP32E152M#AS6
		5.82	11.06	75	0.15	40x41	HP32E152M#BS5
	1 600	5.23	9.93	72	0.15	30x60	HP32E162M#ZS9
	1 800	6.42	12.21	60	0.15	35x50	HP32E182M#AS7
		6.72	12.77	60	0.15	40x51	HP32E182M#BS7
	2 100	6.94	13.19	50	0.15	30x80	HP32E212M#ZS13
2 200	6.48	12.31	50	0.15	35x60	HP32E222M#AS9	
2 300	7.46	14.17	50	0.15	30x85	HP32E232M#ZS14	
2 700	8.67	16.47	45	0.15	30x100	HP32E272M#ZS17	
350 VDC Code: 2V Surge Voltage 400 VDC	100	0.84	1.58	1065	0.15	22x25	HP32V101M#XS2
	120	0.92	1.76	885	0.15	22x25	HP32V121M#XS2
		0.97	1.84	885	0.15	25x25	HP32V121M#YS2
	150	1.09	2.07	710	0.15	22x30	HP32V151M#XS3
		1.08	2.05	710	0.15	25x25	HP32V151M#YS2
	180	1.20	2.28	590	0.15	22x30	HP32V181M#XS3
		1.27	2.41	590	0.15	22x35	HP32V181M#XS4
		1.19	2.26	590	0.15	25x25	HP32V181M#YS2
		1.27	2.41	590	0.15	30x25	HP32V181M#ZS2
	220	1.41	2.67	485	0.15	22x35	HP32V221M#XS4
		1.40	2.65	485	0.15	25x30	HP32V221M#YS3
		1.41	2.67	485	0.15	30x25	HP32V221M#ZS2

Additional designs on request · Weitere Designs auf Anfrage

Rated VoltageCode (Surge Voltage) V_r [V DC]	Capacitance C_r [μF]	Ripple Current at 85°C/120Hz I_r [A RMS]	Ripple Current at 40°C/120Hz [A RMS]	ESR (typ) at 20°C/100Hz [mΩ]	Dissipation Factor at 20°C/100Hz Tan δ	DxL [mm]	Product Code # = variable value, see fixing code in the product code
350 VDC Code: 2V Surge Voltage 400 VDC	270	1.73	3.28	395	0.15	22x45	HP32V271M#XS6
		1.64	3.11	395	0.15	25x35	HP32V271M#YS4
		1.55	2.95	395	0.15	30x25	HP32V271M#ZS2
	330	1.97	3.74	325	0.15	25x40	HP32V331M#YS5
		1.82	3.45	325	0.15	30x30	HP32V331M#ZS3
		1.82	3.45	325	0.15	35x25	HP32V331M#AS2
	390	2.16	4.09	275	0.15	25x45	HP32V391M#YS6
		2.08	3.95	275	0.15	30x35	HP32V391M#ZS4
		2.09	3.97	275	0.15	35x30	HP32V391M#AS3
	470	2.28	4.32	230	0.15	30x35	HP32V471M#ZS4
		2.30	4.37	230	0.15	35x30	HP32V471M#AS3
	560	2.73	5.18	190	0.15	30x45	HP32V561M#ZS6
		2.63	4.99	190	0.15	35x35	HP32V561M#AS4
	680	3.04	5.76	160	0.15	35x40	HP32V681M#AS5
		3.17	6.02	160	0.15	35x45	HP32V681M#AS6
		3.19	6.06	160	0.15	40x41	HP32V681M#BS5
	1 000	4.28	8.13	110	0.15	35x50	HP32V102M#AS7
		4.18	7.94	110	0.15	40x51	HP32V102M#BS7
	1 200	4.86	9.24	90	0.15	35x75	HP32V122M#AS12
		4.88	9.28	90	0.15	40x61	HP32V122M#BS9
1 500	5.58	10.59	78	0.15	35x80	HP32V152M#AS13	
	5.52	10.49	78	0.15	40x71	HP32V152M#BS11	
1 800	6.44	12.24	65	0.15	40x80	HP32V182M#BS13	
2 200	7.95	15.11	50	0.15	40x110	HP32V222M#BS19	
400 VDC Code: 2G Surge Voltage 450 VDC	82	0.89	1.69	1259	0.20	20x25	HP32G820M#WS2
		0.91	1.74	1259	0.20	22x25	HP32G820M#XS2
	100	0.98	1.86	1065	0.20	20x25	HP32G101M#WS2
		1.01	1.93	1065	0.20	22x25	HP32G101M#XS2
	120	1.06	2.00	1065	0.20	25x25	HP32G101M#YS2
		1.14	2.18	885	0.20	20x30	HP32G121M#WS3
		1.10	2.09	885	0.20	22x25	HP32G121M#XS2
	140	1.17	2.21	885	0.20	25x25	HP32G121M#YS2
		1.25	2.39	765	0.20	25x25	HP32G141M#YS2
		1.36	2.60	710	0.20	20x35	HP32G151M#WS4
	150	1.32	2.51	710	0.20	22x30	HP32G151M#XS3
		1.30	2.46	710	0.20	25x25	HP32G151M#YS2
		1.39	2.63	710	0.20	30x25	HP32G151M#ZS2
	180	1.45	2.76	590	0.20	22x30	HP32G181M#XS3
		1.61	3.05	590	0.20	22x40	HP32G181M#XS5
		1.42	2.70	590	0.20	25x25	HP32G181M#YS2
	220	1.69	3.22	485	0.20	22x35	HP32G221M#XS4
		1.94	3.67	485	0.20	22x50	HP32G221M#XS7
		1.67	3.18	485	0.20	25x30	HP32G221M#YS3
		1.86	3.53	485	0.20	25x40	HP32G221M#YS5
1.67		3.18	485	0.20	30x25	HP32G221M#ZS2	

Additional designs on request · Weitere Designs auf Anfrage

Rated VoltageCode (Surge Voltage) V_r [V DC]	Capacitance C_r [μF]	Ripple Current at 85°C/120Hz I_r [A RMS]	Ripple Current at 40°C/120Hz [A RMS]	ESR (typ) at 20°C/100Hz [mΩ]	Dissipation Factor at 20°C/100Hz Tan δ	DxL [mm]	Product Code # = variable value, see fixing code in the product code
400 VDC Code: 2G Surge Voltage 450 VDC	270	1.97	3.74	395	0.20	22x30	HP32G271M#XS3
		2.07	3.93	395	0.20	22x45	HP32G271M#XS6
		2.07	3.93	395	0.20	25x40	HP32G271M#YS5
		2.16	4.09	395	0.20	25x45	HP32G271M#YS6
		1.86	3.53	395	0.20	30x25	HP32G271M#ZS2
		2.09	3.97	395	0.20	30x35	HP32G271M#ZS4
	330	2.39	4.53	325	0.20	22x50	HP32G331M#XS7
		2.28	4.32	325	0.20	25x40	HP32G331M#YS5
		2.49	4.72	325	0.20	25x50	HP32G331M#YS7
		2.18	4.14	325	0.20	30x30	HP32G331M#ZS3
		2.29	4.35	325	0.20	30x35	HP32G331M#ZS4
		2.18	4.14	325	0.20	35x25	HP32G331M#AS2
	390	2.48	4.71	275	0.20	25x40	HP32G391M#YS5
		2.60	4.93	275	0.20	25x45	HP32G391M#YS6
		2.71	5.14	275	0.20	25x50	HP32G391M#YS7
		2.50	4.74	275	0.20	30x35	HP32G391M#ZS4
		2.75	5.23	275	0.20	30x45	HP32G391M#ZS6
		2.38	4.51	275	0.20	35x25	HP32G391M#AS2
	470	2.66	5.06	275	0.20	35x35	HP32G391M#AS4
		2.97	5.64	230	0.20	25x50	HP32G471M#YS7
		2.87	5.46	230	0.20	30x40	HP32G471M#ZS5
		3.18	6.04	230	0.20	30x50	HP32G471M#ZS7
		2.75	5.23	230	0.20	35x30	HP32G471M#AS3
		3.04	5.76	230	0.20	35x40	HP32G471M#AS5
	560	3.28	6.23	190	0.20	30x45	HP32G561M#ZS6
		3.41	6.48	190	0.20	30x50	HP32G561M#ZS7
		3.16	6.00	190	0.20	35x35	HP32G561M#AS4
		3.44	6.55	190	0.20	35x45	HP32G561M#AS6
	620	3.48	6.60	190	0.20	40x41	HP32G561M#BS5
		3.32	6.31	175	0.20	35x35	HP32G621M#AS4
	680	3.60	6.83	160	0.20	30x45	HP32G681M#ZS6
		3.91	7.43	160	0.20	30x55	HP32G681M#ZS8
		3.64	6.92	160	0.20	35x40	HP32G681M#AS5
		4.24	8.05	160	0.20	35x60	HP32G681M#AS9
		4.05	7.69	160	0.20	40x35	HP32G681M#BS4
	770	4.25	8.06	150	0.20	35x50	HP32G771M#AS7
	820	4.17	7.92	130	0.20	35x45	HP32G821M#AS6
		4.64	8.82	130	0.20	35x60	HP32G821M#AS9
		4.53	8.61	130	0.20	40x51	HP32G821M#BS7
	870	4.47	8.48	130	0.20	35x50	HP32G871M#AS7
	1 000	4.79	9.10	110	0.20	35x51	HP32G102M#AS7
		5.13	9.74	110	0.20	35x60	HP32G102M#AS9
		4.57	8.68	110	0.20	40x50	HP32G102M#BS7
	1 100	5.13	9.74	110	0.20	35x60	HP32G112M#AS9
		5.48	10.41	110	0.20	35x81	HP32G112M#AS13

Additional designs on request · Weitere Designs auf Anfrage

Rated VoltageCode (Surge Voltage) V_r [V DC]	Capacitance C_r [μ F]	Ripple Current at 85°C/120Hz I_r [A RMS]	Ripple Current at 40°C/120Hz [A RMS]	ESR (typ) at 20°C/100Hz [m Ω]	Dissipation Factor at 20°C/100Hz Tan δ	DxL [mm]	Product Code # = variable value, see fixing code in the product code
400 VDC Code: 2G Surge Voltage 450 VDC	1 200	4.86	9.24	100	0.20	35x75	HP32G122M#AS12
		4.72	8.97	100	0.20	40x55	HP32G122M#BS8
		4.91	9.35	90	0.20	40x60	HP32G122M#BS9
		5.04	9.57	90	0.20	40x76	HP32G122M#BS12
	1 400	6.23	11.83	80	0.20	35x100	HP32G142M#AS17
		6.82	12.96	80	0.20	40x80	HP32G142M#BS13
	1 500	6.45	12.24	75	0.20	35x100	HP32G152M#AS17
		6.58	12.50	75	0.20	40x81	HP32G152M#BS13
	1 600	6.88	13.07	70	0.20	40x60	HP32G162M#BS9
		6.88	13.07	70	0.20	40x85	HP32G162M#BS14
	1 800	8.00	15.19	62	0.20	40x100	HP32G182M#BS17
	2 000	8.22	15.61	60	0.20	45x76	HP32G202M#HS12
	2 100	9.58	18.21	51	0.20	40x101	HP32G212M#BS17
	420 VDC Code: 420V Surge Voltage 470 VDC	68	0.80	1.53	1620	0.20	20x25
0.84			1.58	1620	0.20	22x25	HP3420V680M#XS2
82		0.89	1.69	1340	0.20	20x25	HP3420V820M#WS2
		0.95	1.79	1340	0.20	22x30	HP3420V820M#XS3
100		1.05	1.99	1100	0.20	20x30	HP3420V101M#WS3
		1.01	1.93	1100	0.20	22x25	HP3420V101M#XS2
		1.08	2.05	1100	0.20	22x30	HP3420V101M#XS3
120		1.14	2.18	915	0.20	20x30	HP3420V121M#WS3
		1.22	2.32	915	0.20	20x35	HP3420V121M#WS4
		1.11	2.11	915	0.20	22x25	HP3420V121M#XS2
		1.24	2.37	915	0.20	22x35	HP3420V121M#XS4
		1.17	2.21	915	0.20	25x25	HP3420V121M#YS2
150		1.36	2.60	735	0.20	20x35	HP3420V151M#WS4
		1.32	2.51	735	0.20	22x30	HP3420V151M#XS3
		1.46	2.78	735	0.20	22x40	HP3420V151M#XS5
		1.30	2.46	735	0.20	25x25	HP3420V151M#YS2
		1.45	2.76	735	0.20	25x35	HP3420V151M#YS4
180		1.53	2.90	610	0.20	22x35	HP3420V181M#XS4
		1.67	3.18	610	0.20	22x45	HP3420V181M#XS6
		1.52	2.88	610	0.20	25x30	HP3420V181M#YS3
		1.67	3.18	610	0.20	25x40	HP3420V181M#YS5
		1.52	2.88	610	0.20	30x25	HP3420V181M#ZS2
		1.61	3.05	610	0.20	35x25	HP3420V181M#AS2
220		1.78	3.39	500	0.20	22x40	HP3420V221M#XS5
		1.87	3.55	500	0.20	22x45	HP3420V221M#XS6
		1.77	3.37	500	0.20	25x35	HP3420V221M#YS4
		1.94	3.67	500	0.20	25x45	HP3420V221M#YS6
		1.67	3.18	500	0.20	30x25	HP3420V221M#ZS2
		1.78	3.39	500	0.20	30x30	HP3420V221M#ZS3
270		2.07	3.93	407	0.20	22x45	HP3420V271M#XS6
	1.95	3.70	407	0.20	25x35	HP3420V271M#YS4	
	1.97	3.74	407	0.20	30x30	HP3420V271M#ZS3	

Additional designs on request · Weitere Designs auf Anfrage

Rated VoltageCode (Surge Voltage) V_r [V DC]	Capacitance C_r [μ F]	Ripple Current at 85°C/120Hz I_r [A RMS]	Ripple Current at 40°C/120Hz [A RMS]	ESR (typ) at 20°C/100Hz [m Ω]	Dissipation Factor at 20°C/100Hz Tan δ	DxL [mm]	Product Code # = variable value, see fixing code in the product code	
420 VDC Code: 420V Surge Voltage 470 VDC	270	2.00	3.81	407	0.20	35x25	HP3420V271M#AS2	
		2.23	4.25	407	0.20	25x50	HP3420V271M#YS7	
	330	2.39	4.53	335	0.20	25x45	HP3420V331M#YS6	
		2.29	4.35	335	0.20	30x35	HP3420V331M#ZS4	
		2.18	4.14	335	0.20	35x25	HP3420V331M#AS2	
		2.45	4.66	335	0.20	35x35	HP3420V331M#AS4	
	390	2.71	5.14	283	0.20	25x50	HP3420V391M#YS7	
		2.50	4.74	283	0.20	30x35	HP3420V391M#ZS4	
		2.85	5.41	283	0.20	30x50	HP3420V391M#ZS7	
		2.51	4.76	283	0.20	35x30	HP3420V391M#AS3	
		2.76	5.25	283	0.20	35x40	HP3420V391M#AS5	
	470	2.87	5.46	235	0.20	30x40	HP3420V471M#ZS5	
		3.00	5.71	235	0.20	30x45	HP3420V471M#ZS6	
		2.50	4.75	240	0.20	35x30	HP3420V471M#AS3	
		2.89	5.50	235	0.20	35x35	HP3420V471M#AS4	
		3.03	5.75	235	0.20	35x40	HP3420V471M#AS5	
		3.17	6.02	235	0.20	35x45	HP3420V471M#AS6	
		3.28	6.23	235	0.20	35x50	HP3420V471M#AS7	
	560	3.18	6.04	235	0.20	40x41	HP3420V471M#BS5	
		3.41	6.48	200	0.20	30x50	HP3420V561M#ZS7	
		3.31	6.29	200	0.20	35x40	HP3420V561M#AS5	
		3.44	6.55	200	0.20	35x45	HP3420V561M#AS6	
	680	3.60	6.83	200	0.20	35x50	HP3420V561M#AS7	
		3.75	7.13	170	0.20	30x50	HP3420V681M#ZS7	
		3.80	7.22	165	0.20	35x45	HP3420V681M#AS6	
	820	3.95	7.50	165	0.20	35x50	HP3420V681M#AS7	
		3.84	7.29	135	0.20	30x75	HP3420V821M#ZS12	
		4.33	8.24	135	0.20	35x50	HP3420V821M#AS7	
	1 000	4.44	8.45	112	0.20	35x75	HP3420V102M#AS12	
		4.30	8.17	112	0.20	40x56	HP3420V102M#BS8	
		4.48	8.50	112	0.20	40x61	HP3420V102M#BS9	
	1 200	4.99	9.49	135	0.20	35x80	HP3420V122M#AS13	
		5.49	10.43	100	0.20	35x100	HP3420V122M#AS17	
		5.05	9.59	100	0.20	40x76	HP3420V122M#BS12	
	1 500	5.96	11.33	75	0.20	40x86	HP3420V152M#BS14	
		7.12	13.52	80	0.20	45x76	HP3420V152M#HS12	
	1 800	6.95	13.21	70	0.20	40x101	HP3420V182M#BS17	
		7.79	14.80	70	0.20	45x76	HP3420V182M#HS12	
	2 000	8.22	15.61	60	0.20	45x76	HP3420V202M#HS12	
	450 VDC Code: 2W Surge Voltage 500 VDC	56	0.74	1.40	1965	0.20	20x25	HP32W560M#WS2
		68	0.80	1.53	1620	0.20	20x25	HP32W680M#WS2
		82	0.89	1.69	1340	0.20	20x25	HP32W820M#WS2
0.95			1.79	1340	0.20	20x30	HP32W820M#WS3	
0.91			1.74	1340	0.20	22x25	HP32W820M#XS2	

Additional designs on request · Weitere Designs auf Anfrage

Rated VoltageCode (Surge Voltage) V_r [V DC]	Capacitance C_r [μ F]	Ripple Current at 85°C/120Hz I_r [A RMS]	Ripple Current at 40°C/120Hz [A RMS]	ESR (typ) at 20°C/100Hz [m Ω]	Dissipation Factor at 20°C/100Hz Tan δ	DxL [mm]	Product Code # = variable value, see fixing code in the product code
450 VDC Code: 2W Surge Voltage 500 VDC	82	0.98	1.86	1340	0.20	22x30	HP32W820M#XS3
		0.97	1.84	1340	0.20	25x25	HP32W820M#YS2
	100	1.05	1.99	1100	0.20	20x30	HP32W101M#WS3
		1.01	1.93	1100	0.20	22x25	HP32W101M#XS2
		1.06	2.00	1100	0.20	25x25	HP32W101M#YS2
		1.13	2.16	1100	0.20	25x30	HP32W101M#YS3
		1.13	2.16	1100	0.20	30x25	HP32W101M#ZS2
		1.22	2.32	915	0.20	20x35	HP32W121M#WS4
	120	1.11	2.11	915	0.20	22x25	HP32W121M#XS2
		1.31	2.49	915	0.20	22x40	HP32W121M#XS5
		1.17	2.21	915	0.20	25x25	HP32W121M#YS2
		1.24	2.37	915	0.20	30x25	HP32W121M#ZS2
		1.32	2.51	735	0.20	22x30	HP32W151M#XS3
	150	1.39	2.63	735	0.20	22x35	HP32W151M#XS4
		1.53	2.90	735	0.20	22x45	HP32W151M#XS6
		1.39	2.63	735	0.20	25x30	HP32W151M#YS3
		1.47	2.81	735	0.20	25x35	HP32W151M#YS4
		1.39	2.63	735	0.20	30x25	HP32W151M#ZS2
		1.47	2.81	735	0.20	30x30	HP32W151M#ZS3
		1.53	2.90	610	0.20	22x35	HP32W181M#XS4
		1.76	3.34	610	0.20	22x50	HP32W181M#XS7
	180	1.52	2.88	610	0.20	25x30	HP32W181M#YS3
		1.67	3.18	610	0.20	25x40	HP32W181M#YS5
		1.52	2.88	610	0.20	30x25	HP32W181M#ZS2
		1.61	3.05	610	0.20	30x30	HP32W181M#ZS3
		1.61	3.05	610	0.20	35x25	HP32W181M#AS2
		1.78	3.39	500	0.20	22x40	HP32W221M#XS5
	220	1.77	3.37	500	0.20	25x35	HP32W221M#YS4
		1.94	3.67	500	0.20	25x45	HP32W221M#YS6
		1.67	3.18	500	0.20	30x25	HP32W221M#ZS2
		1.89	3.60	500	0.20	30x35	HP32W221M#ZS4
		2.07	3.93	407	0.20	22x45	HP32W271M#XS6
	270	2.06	3.91	407	0.20	25x40	HP32W271M#YS5
		2.16	4.09	407	0.20	25x45	HP32W271M#YS6
		1.97	3.74	407	0.20	30x30	HP32W271M#ZS3
		2.19	4.16	407	0.20	30x40	HP32W271M#ZS5
		1.97	3.74	407	0.20	35x25	HP32W271M#AS2
		2.22	4.22	407	0.20	35x35	HP32W271M#AS4
		2.27	4.30	340	0.20	25x40	HP32W331M#YS5
		2.49	4.72	335	0.20	25x50	HP32W331M#YS7
	330	2.29	4.35	335	0.20	30x35	HP32W331M#ZS4
		2.52	4.79	335	0.20	30x45	HP32W331M#ZS6
2.18		4.14	335	0.20	35x25	HP32W331M#AS2	
2.45		4.66	335	0.20	35x35	HP32W331M#AS4	

Additional designs on request · Weitere Designs auf Anfrage

Rated VoltageCode (Surge Voltage) V_r [V DC]	Capacitance C_r [μ F]	Ripple Current at 85°C/120Hz I_r [A RMS]	Ripple Current at 40°C/120Hz [A RMS]	ESR (typ) at 20°C/100Hz [m Ω]	Dissipation Factor at 20°C/100Hz Tan δ	DxL [mm]	Product Code # = variable value, see fixing code in the product code
450 VDC Code: 2W Surge Voltage 500 VDC	390	2.71	5.14	283	0.20	25x50	HP32W391M#YS7
		2.50	4.74	283	0.20	30x35	HP32W391M#ZS4
		2.73	5.18	283	0.20	30x45	HP32W391M#ZS6
		2.51	4.76	283	0.20	35x30	HP32W391M#AS3
		2.64	5.02	283	0.20	35x35	HP32W391M#AS4
		2.76	5.25	283	0.20	35x40	HP32W391M#AS5
	470	2.87	5.46	235	0.20	30x40	HP32W471M#ZS5
		3.00	5.71	235	0.20	30x45	HP32W471M#ZS6
		3.12	5.94	235	0.20	30x50	HP32W471M#ZS7
		2.89	5.50	235	0.20	35x35	HP32W471M#AS4
		3.03	5.75	235	0.20	35x40	HP32W471M#AS5
		3.17	6.02	235	0.20	35x45	HP32W471M#AS6
	560	3.18	6.04	235	0.20	40x41	HP32W471M#BS5
		3.41	6.48	200	0.20	30x50	HP32W561M#ZS7
		3.31	6.29	200	0.20	35x40	HP32W561M#AS5
		3.44	6.55	200	0.20	35x45	HP32W561M#AS6
		3.41	6.48	200	0.20	35x50	HP32W561M#ZS7
		3.75	7.13	200	0.20	40x51	HP32W561M#BS7
	630	4.74	9.01	110	0.20	40x51	HP32W561M#BS7CCR
		4.04	7.67	170	0.20	30x60	HP32W631M#ZS9
		3.45	6.57	170	0.20	35x50	HP32W631M#AS7
	680	3.36	6.38	170	0.20	40x41	HP32W631M#BS5
		3.75	7.13	170	0.20	30x51	HP32W681M#ZS7
		4.19	7.96	165	0.20	30x75	HP32W681M#ZS12
		3.80	7.22	165	0.20	35x45	HP32W681M#AS6
		3.94	7.48	165	0.20	35x50	HP32W681M#AS7
		4.24	8.05	165	0.20	35x60	HP32W681M#AS9
	820	4.13	7.84	165	0.20	40x51	HP32W681M#BS7
		4.33	8.24	135	0.20	35x50	HP32W821M#AS7
		4.64	8.82	135	0.20	35x60	HP32W821M#AS9
		4.95	9.41	135	0.20	35x80	HP32W821M#AS13
	1 000	4.85	9.22	135	0.20	40x61	HP32W821M#BS9
		5.13	9.75	120	0.20	35x60	HP32W102M#AS9
		5.05	9.59	115	0.20	35x70	HP32W102M#AS11
		5.50	10.45	115	0.20	35x70	HP32W102M#AS112P
		5.47	10.38	115	0.20	35x80	HP32W102M#AS13
		6.45	12.24	115	0.20	35x80	HP32W102M#AS132P
	1 100	5.37	10.20	110	0.20	40x60	HP32W102M#BS9
		5.18	9.85	100	0.20	40x75	HP32W112M#BS12
	1 200	5.23	9.93	100	0.20	35x70	HP32W122M#AS11
5.70		10.82	97	0.20	40x76	HP32W122M#BS12	
5.78		10.98	97	0.20	40x80	HP32W122M#BS13	
6.06		11.52	97	0.20	40x85	HP32W122M#BS14	
1 400	5.59	10.62	86	0.20	40x80	HP32W142M#BS13	

Additional designs on request · Weitere Designs auf Anfrage

Rated VoltageCode (Surge Voltage) V_r [V DC]	Capacitance C_r [μF]	Ripple Current at 85°C/120Hz I_r [A RMS]	Ripple Current at 40°C/120Hz [A RMS]	ESR (typ) at 20°C/100Hz [mΩ]	Dissipation Factor at 20°C/100Hz Tan δ	DxL [mm]	Product Code # = variable value, see fixing code in the product code
450 VDC Code: 2W Surge Voltage 500 VDC	1 500	5.81	11.03	80	0.20	40x80	HP32W152M#BS13
		6.34	12.03	75	0.20	40x100	HP32W152M#BS17
		7.12	13.53	80	0.20	46x76	HP32W152M#HS12
	1 600	6.55	12.44	70	0.20	40x100	HP32W162M#BS17
		1 800	7.79	14.80	70	0.20	45x76
	2 000	8.22	15.61	60	0.20	45x76	HP32W202M#HS12
		8.61	16.36	55	0.20	45x76	HP32W222M#HS12CC
	2 200	8.34	15.84	53	0.20	46x100	HP32W222M#HS17
2 700	7.70	14.63	45	0.20	45x100	HP32W272M#HS17	
500 VDC Code: 2H Surge Voltage 550 VDC	56	0.68	1.30	2135	0.20	22x30	HP32H560M#XS3
		0.65	1.23	2135	0.20	25x25	HP32H560M#YS2
	68	0.79	1.51	1758	0.20	22x35	HP32H680M#XS4
		0.92	1.76	1458	0.20	22x40	HP32H820M#XS5
	82	0.85	1.61	1458	0.20	25x30	HP32H820M#YS3
		1.07	2.02	960	0.20	22x45	HP32H101M#XS6
		0.98	1.86	960	0.20	25x35	HP32H101M#YS4
	100	0.95	1.79	960	0.20	30x25	HP32H101M#ZS2
		1.22	2.32	800	0.20	22x50	HP32H121M#XS7
		1.13	2.16	800	0.20	25x40	HP32H121M#YS5
	120	1.10	2.09	800	0.20	30x30	HP32H121M#ZS3
		1.10	2.09	800	0.20	35x25	HP32H121M#AS2
		1.32	2.51	640	0.20	25x45	HP32H151M#YS6
		1.30	2.46	640	0.20	30x35	HP32H151M#ZS4
	150	1.43	2.72	640	0.20	35x30	HP32H151M#AS3
		1.52	2.88	535	0.20	25x50	HP32H181M#YS7
		1.50	2.84	535	0.20	30x40	HP32H181M#ZS5
	180	1.43	2.72	535	0.20	35x30	HP32H181M#AS3
		1.73	3.28	434	0.20	30x45	HP32H221M#ZS6
		1.66	3.16	434	0.20	35x35	HP32H221M#AS4
	220	1.57	2.99	360	0.20	30x30	HP32H271M#ZS3
		1.99	3.78	360	0.20	30x50	HP32H271M#ZS7
		1.93	3.66	360	0.20	35x40	HP32H271M#AS5
	270	2.12	4.04	365	0.20	35x40	HP32H331M#AS5
		2.21	4.20	290	0.20	35x45	HP32H331M#AS6
		1.94	3.68	265	0.20	35x30	HP32H371M#AS3
	330	2.40	4.56	290	0.20	35x45	HP32H391M#AS6
		2.50	4.74	245	0.20	35x50	HP32H391M#AS7
	370	2.51	4.76	240	0.20	35x50	HP32H471M#AS7
		2.94	5.58	210	0.20	35x60	HP32H471M#AS9
		3.14	5.96	210	0.20	35x80	HP32H471M#AS13
		3.10	5.90	210	0.20	40x50	HP32H471M#BS7
390	3.65	6.94	170	0.20	40x76	HP32H561M#BS12	
470	3.10	5.89	165	0.20	30x60	HP32H631M#ZS9	
560	4.53	8.61	140	0.20	40x100	HP32H681M#BS17	

Additional designs on request · Weitere Designs auf Anfrage

Rated VoltageCode (Surge Voltage) V_r [V DC]	Capacitance C_r [μ F]	Ripple Current at 85°C/120Hz I_r [A RMS]	Ripple Current at 40°C/120Hz [A RMS]	ESR (typ) at 20°C/100Hz [m Ω]	Dissipation Factor at 20°C/100Hz Tan δ	DxL [mm]	Product Code # = variable value, see fixing code in the product code
500 VDC Code: 2H Surge Voltage 550 VDC	820	3.72	7.06	140	0.20	40x70	HP32H821M#BS11
		4.69	8.90	140	0.20	40x100	HP32H821M#BS17
	870	3.81	7.23	120	0.20	35x60	HP32H871M#AS9
		1 000	4.50	8.55	115	0.20	40x80
	4.94		9.39	115	0.20	40x80	HP32H102M#BS13CC
	5.18		9.85	100	0.20	40x100	HP32H102M#BS17
	1 200		5.91	11.22	90	0.20	40x110
	1 500	6.89	13.08	77	0.20	46x100	HP32H152M#HS17
	1 600	7.26	13.79	65	0.15	50x90	HP32H162M#CS15

Additional designs on request · Weitere Designs auf Anfrage

> Ripple Current Multiplier · Wechselstrommultiplikator

Frequency [Hz]		50/60	120	300	1k	≥ 10k
Multiplier	16V – 100V	0.70	1.00	1.10	1.20	1.20
	160V – 500V	0.70	1.00	1.18	1.34	1.45

Temperature [°C]	40	45	50	55	60	65	70	75	80	85
Multiplier	1.9	1.8	1.7	1.6	1.5	1.4	1.3	1.2	1.1	1.0

Forced cooling – Wind speed [m/sec]	v < 0.25	v ≥ 0.25	v ≥ 0.5	v ≥ 1.0	v ≥ 2.0	v ≥ 3.0
Multiplier	1.00	1.05	1.10	1.15	1.20	1.25

> Life Time Table · Brauchbarkeitsdauer – Tabelle

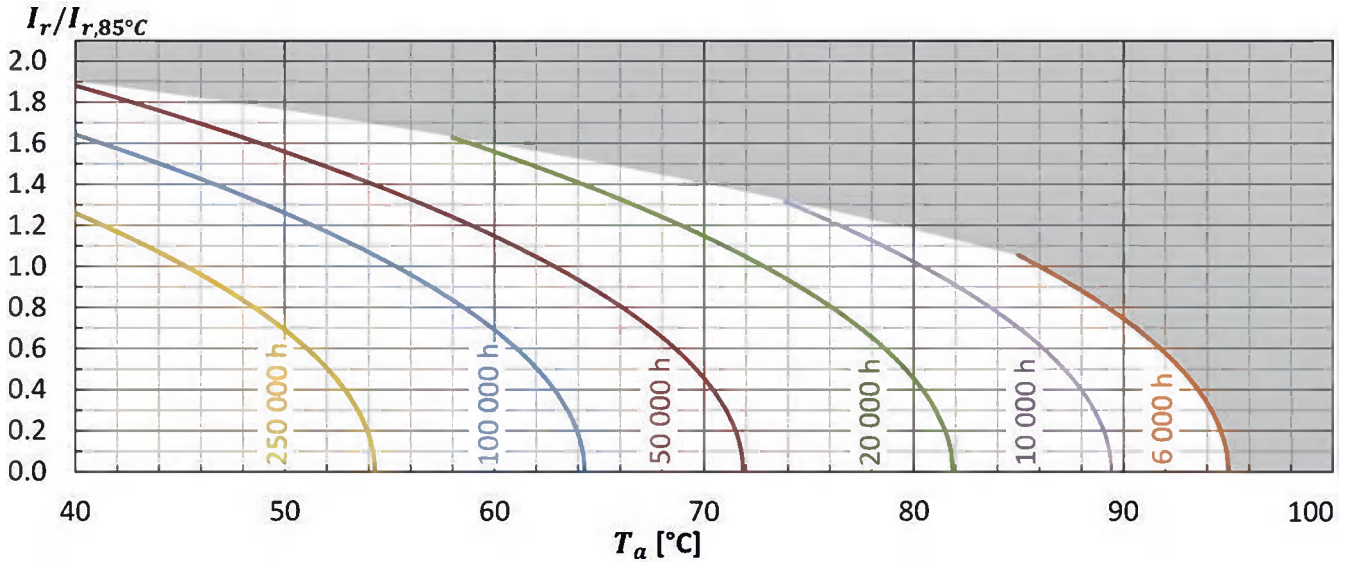
HP3 I_r at 85°C	Useful life as function of ambient temperature and ripple current									
	x 1.0	x 1.1	x 1.2	x 1.3	x 1.4	x 1.5	x 1.6	x 1.7	x 1.8	x 1.9
$T_a = 40^\circ\text{C}$	250	250	250	229	184	144	112	85	64	47
$T_a = 45^\circ\text{C}$	250	216	178	145	116	91	70	54	40	
$T_a = 50^\circ\text{C}$	162	136	113	91	73	57	44	34		
$T_a = 55^\circ\text{C}$	102	86	71	58	46	36	28			
$T_a = 60^\circ\text{C}$	64	54	45	36	29	23				
$T_a = 65^\circ\text{C}$	41	34	28	23	18					
$T_a = 70^\circ\text{C}$	25	21	18	14						
$T_a = 75^\circ\text{C}$	16	13	11							
$T_a = 80^\circ\text{C}$	10	8								
$T_a = 85^\circ\text{C}$	6									

Max. value limited to 250 000 hours.

> Life Time Graph · Brauchbarkeitsdauer – Diagramm

Useful life depending on ambient temperature T_a and ripple current operating conditions I_r versus rated ripple current at the upper category temperature $I_{r,85^\circ\text{C},120\text{Hz}}$

Brauchbarkeitsdauer in Abhängigkeit von Umgebungstemperatur T_a und Wechselstrombelastung I_r im Verhältnis zur max. Wechselstrombelastung bei oberer Kategorie-temperatur $I_{r,85^\circ\text{C},120\text{Hz}}$



> Life Time Tests and Requirements · Anforderungen Brauchbarkeitsdauer

Life time test	Test procedure	Life time criteria
Endurance test	$T_a = 85^\circ\text{C}$; V_r, I_r applied 4000 hours	$\Delta C/C \leq 15\%$ (of initial value) $\text{Tan}\delta \leq 175\%$ (of specified value) $I_L \leq$ specified value
Useful life 16~350VDC	$T_a = 85^\circ\text{C}$; V_r, I_r applied 6000 hours	$\Delta C/C \leq 20\%$ (of initial value) $\text{Tan}\delta < 200\%$ (of specified value) $I_L \leq$ specified value
Useful life 400~500VDC	$T_a = 85^\circ\text{C}$; V_r, I_r applied 6000 hours	$\Delta C/C \leq 30\%$ (of initial value) $\text{Tan}\delta < 300\%$ (of specified value) $I_L \leq$ specified value

Reference Specification: JIS C 5101-4, JIS C 5102, IEC 60384-4

HU3 · Snap-In · 6000 h/105 °C

Standard Performances · Higher Ripple

> Specifications · Spezifikationen

Items	Characteristics
Temperature range	-40°C ~ + 105°C
Capacitance tolerance (at 20°C)	Standard +/- 20%, -10%/+30% on request
Surge voltage	Repetitive max. 30 sec per 6 Minutes
Leakage current max. I_L (20°C, 5 min)	0.02 • C • V_r [μ A] or 3 mA, which is smaller.
Useful life	6000 hours at 105°C
Field failure rate	0.5 FIT = 0.5 • 10 ⁻⁹ Failures/hour
Reference standards	IEC 60384-4, JIS C 5101-4, AEC-Q200 qualified
Vibration	0.75mm, 10...55Hz, 10g, 3x2h
Sleeve withstanding voltage	3000 Vac/1 min between terminals bundled and plate*
Product Compliance	RoHS, REACH, Conflict Minerals a.o. - refer to p. 12–13

* Typical value using sleeve which is free from any scratches and damages



> Outline Drawings · Bauformen

Refer to page 7 for available terminal shapes and dimensions. · Auf Seite 7 finden Sie die verfügbaren Bauformen und Maße.

> Product Code · Bestellbezeichnung

Example: Series HU3 · 400 V · 390 μ F \pm 20 % · 30x50 mm · 2-Pin terminal · without plate

HU3

2G

391

M

R

Z

S7

WPEC

Type of series

Capacitance code

The first two digits are significant.
The last digit indicates the number of following zeros in μ F.

Terminal symbol code

- R: 2-claw 6.3 mm
- S: 4-claw 6.3 mm
- C: 2-claw short 4.0 mm
- X: 4-claw short 4.0 mm
- E: 3-claw short 4.0 mm
- T: 2-lugs 4.5 mm

Diameter code

Code	ØD
W	20
X	22
Y	25
Z	30
A	35
B	40
C	50

Outer design code

- None:
PET sleeve and PVC plate
- WPEC:
PET sleeve without plate
- Others on request

Rated voltage code

Code	Voltage	Code	Voltage	Code	Voltage
1C	16	2A	100	2G	400
1E	25	2C	160	420V	420
1V	35	2P	180	2W	450
1H	50	2D	200	2H	500
1J	63	2E	250		
1K	80	2V	350		

Capacitance tolerance

- M : \pm 20%
- Q : -10% ~ +30%

Length code

Code	L	Code	L	Code	L
S1	20	S8	55	S15	90
S2	25	S9	60	S16	95
S3	30	S10	65	S17	100
S4	35	S11	70	S18	105
S5	40	S12	75	S19	110
S6	45	S13	80		
S7	50	S14	85		

HU3 · Snap-In · 6000 h/105 °C

Rated VoltageCode (Surge Voltage) V_r [V DC]	Capacitance C_r [μ F]	Ripple Current at 105°C/120Hz I_r [A RMS]	Ripple Current at 40°C/120Hz [A RMS]	ESR (typ) at 20°C/100Hz [m Ω]	Dissipation Factor at 20°C/100Hz Tan δ	DxL [mm]	Product Code # = variable value, see fixing code in the product code
16 VDC Code: 1C Surge Voltage 20 VDC	4 700	1.63	4.40	95	0.50	22x25	HU31C472M#XS2
		2.22	6.00	65	0.50	22x35	HU31C682M#XS4
	6 800	2.98	8.05	45	0.50	22x45	HU31C103M#XS6
		2.12	5.73	65	0.50	25x30	HU31C682M#YS3
		2.66	7.19	45	0.50	30x25	HU31C103M#ZS2
		3.69	9.95	30	0.50	25x45	HU31C153M#YS6
	15 000	3.62	9.77	30	0.50	30x35	HU31C153M#ZS4
		3.62	9.77	30	0.50	35x30	HU31C153M#AS3
		4.82	13.01	20	0.50	30x45	HU31C223M#ZS6
	22 000	4.63	12.50	20	0.50	35x35	HU31C223M#AS4
		6.38	17.23	15	0.50	35x50	HU31C333M#AS7
	33 000	6.38	17.23	15	0.50	35x50	HU31C333M#AS7
	47 000	3.52	9.50	15	0.50	35x50	HU31C473M#AS7
	25 VDC Code: 1E Surge Voltage 32 VDC	3 300	1.53	4.13	130	0.40	22x25
4 700		1.94	5.23	90	0.40	22x30	HU31E472M#XS3
		1.85	4.99	90	0.40	25x25	HU31E472M#YS2
6 800		2.49	6.71	65	0.40	22x35	HU31E682M#XS4
		2.45	6.62	65	0.40	25x30	HU31E682M#YS3
		2.45	6.62	65	0.40	30x25	HU31E682M#ZS2
		3.33	9.00	45	0.40	22x45	HU31E103M#XS6
10 000		3.15	8.49	45	0.40	25x35	HU31E103M#YS4
		3.15	8.49	45	0.40	30x30	HU31E103M#ZS3
		3.15	8.49	45	0.40	35x25	HU31E103M#AS2
15 000		4.13	11.14	30	0.40	25x45	HU31E153M#YS6
		4.05	10.93	30	0.40	30x35	HU31E153M#ZS4
		4.05	10.93	30	0.40	35x30	HU31E153M#AS3
22 000		5.38	14.52	20	0.40	30x45	HU31E223M#ZS6
	5.38	14.52	20	0.40	35x40	HU31E223M#AS5	
33 000	7.13	19.25	15	0.50	35x50	HU31E333M#AS7	
35 VDC Code: 1V Surge Voltage 44 VDC	2 200	1.33	3.59	160	0.35	22x25	HU31V222M#XS2
	3 300	1.74	4.69	105	0.35	22x30	HU31V332M#XS3
		1.66	4.48	105	0.35	25x25	HU31V332M#YS2
	4 700	2.21	5.97	75	0.35	22x35	HU31V472M#XS4
		2.18	5.88	75	0.35	25x25	HU31V472M#YS2
		2.18	5.88	75	0.35	30x25	HU31V472M#ZS2
	5 600	2.30	6.21	65	0.35	25x30	HU31V562M#YS3
		3.05	8.23	55	0.35	22x50	HU31V682M#XS7
	6 800	2.76	7.45	55	0.35	25x40	HU31V682M#YS5
		2.76	7.45	55	0.35	30x30	HU31V682M#ZS3
	8 200	3.03	8.17	45	0.35	25x40	HU31V822M#YS5
		3.03	8.17	45	0.35	35x25	HU31V822M#AS2
	10 000	3.76	10.16	35	0.35	25x50	HU31V103M#YS7
		3.53	9.53	35	0.35	30x35	HU31V103M#ZS4
3.53		9.53	35	0.35	35x30	HU31V103M#AS3	
15 000	4.93	13.31	25	0.45	30x50	HU31V153M#ZS7	
	4.76	12.86	25	0.45	35x40	HU31V153M#AS5	
22 000	6.25	16.87	20	0.50	35x50	HU31V223M#AS7	

Additional designs on request · Weitere Designs auf Anfrage

Rated VoltageCode (Surge Voltage) V_r [V DC]	Capacitance C_r [μF]	Ripple Current at 105°C/120Hz I_r [A RMS]	Ripple Current at 40°C/120Hz [A RMS]	ESR (typ) at 20°C/100Hz [mΩ]	Dissipation Factor at 20°C/100Hz Tan δ	DxL [mm]	Product Code # = variable value, see fixing code in the product code
50 VDC Code: 1H Surge Voltage 63 VDC	1 500	1.19	3.21	215	0.30	22x25	HU31H152M#XS2
		1.53	4.13	145	0.30	22x30	HU31H222M#XS3
	2 200	1.46	3.95	145	0.30	25x25	HU31H222M#YS2
		2.00	5.41	100	0.30	22x35	HU31H332M#XS4
		1.96	5.29	100	0.30	25x30	HU31H332M#YS3
	3 300	1.97	5.32	100	0.30	30x25	HU31H332M#ZS2
		2.64	7.13	70	0.30	22x45	HU31H472M#XS6
		2.46	6.65	70	0.30	25x35	HU31H472M#YS4
		2.49	6.71	70	0.30	30x30	HU31H472M#ZS3
	4 700	3.34	9.03	50	0.30	25x50	HU31H682M#YS7
		3.15	8.49	50	0.30	30x35	HU31H682M#ZS4
		3.15	8.49	50	0.30	35x30	HU31H682M#AS3
	6 800	4.20	11.35	35	0.35	30x45	HU31H103M#ZS6
		4.20	11.35	35	0.35	35x40	HU31H103M#AS5
15 000	5.58	15.06	25	0.35	35x50	HU31H153M#AS7	
22 000	5.87	15.85	17	0.35	40x51	HU31H223M#BS7	
63 VDC Code: 1J Surge Voltage 79 VDC	1 000	1.07	2.88	265	0.25	22x25	HU31J102M#XS2
		1.39	3.74	180	0.25	22x30	HU31J152M#XS3
	1 500	1.32	3.56	180	0.25	25x25	HU31J152M#YS2
		1.79	4.84	120	0.25	22x35	HU31J222M#XS4
		1.74	4.69	120	0.25	25x30	HU31J222M#YS2
	2 200	1.76	4.75	120	0.25	30x25	HU31J222M#ZS2
		2.42	6.53	80	0.25	25x40	HU31J332M#YS5
		2.28	6.15	80	0.25	30x30	HU31J332M#ZS3
		2.41	6.50	80	0.25	30x35	HU31J332M#ZS4
	3 300	3.05	8.23	60	0.25	25x50	HU31J472M#YS7
		2.86	7.72	60	0.25	30x35	HU31J472M#ZS4
	4 700	3.28	8.85	50	0.25	35x35	HU31J562M#AS4
	5 600	3.78	10.22	40	0.25	30x45	HU31J682M#ZS6
		3.78	10.22	40	0.25	35x40	HU31J682M#AS5
6 800	4.35	11.73	35	0.25	35x45	HU31J822M#AS6	
8 200	4.98	13.45	30	0.35	35x50	HU31J103M#AS7	
80 VDC Code: 1K Surge Voltage 100 VDC	1 000	1.27	3.42	230	0.20	22x30	HU31K102M#XS3
		1.21	3.27	230	0.20	25x25	HU31K102M#YS2
	1 500	1.65	4.46	155	0.20	22x35	HU31K152M#XS4
		1.63	4.40	155	0.20	25x30	HU31K152M#YS3
		1.63	4.40	155	0.20	30x25	HU31K152M#ZS2
	2 200	2.11	5.70	105	0.20	25x40	HU31K222M#YS5
		2.08	5.61	105	0.20	30x30	HU31K222M#ZS3
		2.08	5.61	105	0.20	35x25	HU31K222M#AS2
		2.85	7.69	70	0.20	25x50	HU31K332M#YS7
	3 300	2.74	7.40	70	0.20	30x40	HU31K332M#ZS5
		2.68	7.25	70	0.20	35x30	HU31K332M#AS3
		3.65	9.86	50	0.25	30x50	HU31K472M#ZS7
	4 700	3.53	9.53	50	0.25	35x40	HU31K472M#AS5
		4.60	12.41	35	0.25	35x50	HU31K682M#AS7

Additional designs on request · Weitere Designs auf Anfrage

Rated VoltageCode (Surge Voltage) V_r [V DC]	Capacitance C_r [μ F]	Ripple Current at 105°C/120Hz I_r [A RMS]	Ripple Current at 40°C/120Hz [A RMS]	ESR (typ) at 20°C/100Hz [m Ω]	Dissipation Factor at 20°C/100Hz Tan δ	DxL [mm]	Product Code # = variable value, see fixing code in the product code
100 VDC Code: 2A Surge Voltage 125 VDC	560	0.89	2.41	325	0.20	22x25	HU32A561M#XS2
	680	0.96	2.60	265	0.20	22x25	HU32A681M#XS2
	820	1.07	2.88	220	0.20	22x25	HU32A821M#XS2
	1 000	1.27	3.42	180	0.20	22x30	HU32A102M#XS3
		1.21	3.27	180	0.20	25x25	HU32A102M#YS2
	1 500	1.73	4.66	130	0.20	22x40	HU32A152M#XS5
		1.73	4.66	130	0.20	25x35	HU32A152M#YS4
		1.63	4.40	130	0.20	30x25	HU32A152M#ZS2
		1.89	5.11	130	0.20	30x40	HU32A152M#ZS5
	2 200	2.23	6.03	90	0.20	25x45	HU32A222M#YS6
		1.87	5.05	90	0.20	30x30	HU32A222M#ZS3
	3 300	2.95	7.96	60	0.20	30x45	HU32A332M#ZS6
		2.83	7.63	60	0.20	35x35	HU32A332M#AS4
	4 700	3.70	9.98	45	0.25	35x45	HU32A472M#AS6
160 VDC Code: 2C Surge Voltage 200 VDC	330	1.08	2.91	430	0.15	22x25	HU32C331M#XS2
	390	1.21	3.27	365	0.15	22x30	HU32C391M#XS3
		1.20	3.24	365	0.15	25x25	HU32C391M#YS2
	470	1.33	3.59	305	0.15	22x30	HU32C471M#XS3
		1.31	3.53	305	0.15	25x25	HU32C471M#YS2
	560	1.54	4.16	255	0.15	22x35	HU32C561M#XS4
		1.54	4.16	255	0.15	25x30	HU32C561M#YS3
		1.54	4.16	255	0.15	30x25	HU32C561M#ZS2
	680	1.78	4.81	210	0.15	22x40	HU32C681M#XS5
		1.69	4.57	210	0.15	30x25	HU32C681M#ZS2
	820	2.05	5.52	175	0.15	22x45	HU32C821M#XS6
		1.97	5.32	175	0.15	30x30	HU32C821M#ZS3
	1 000	2.37	6.39	145	0.15	25x45	HU32C102M#YS6
		2.30	6.21	145	0.15	30x35	HU32C102M#ZS4
		2.18	5.88	145	0.15	35x25	HU32C102M#AS2
	1 200	2.71	7.31	120	0.15	25x50	HU32C122M#YS7
		2.52	6.80	120	0.15	30x35	HU32C122M#ZS4
		2.52	6.80	120	0.15	35x30	HU32C122M#AS3
	1 500	3.08	8.32	95	0.15	30x45	HU32C152M#ZS6
		2.99	8.08	95	0.15	35x35	HU32C152M#AS4
1 800	3.40	9.18	80	0.15	35x40	HU32C182M#AS5	
	3.44	9.30	80	0.15	40x36	HU32C182M#BS4	
180 VDC Code: 2P Surge Voltage 225 VDC	270	0.95	2.55	460	0.15	22x25	HU32P271M#XS2
	330	1.03	2.79	375	0.15	22x25	HU32P331M#XS2
		1.11	3.00	375	0.15	22x30	HU32P331M#XS3
		1.10	2.97	375	0.15	25x25	HU32P331M#YS2
	390	1.21	3.27	320	0.15	22x30	HU32P391M#XS3
		1.20	3.24	320	0.15	25x25	HU32P391M#YS2
	470	1.32	3.56	265	0.15	22x30	HU32P471M#XS3

Additional designs on request · Weitere Designs auf Anfrage

Rated VoltageCode (Surge Voltage) V_r [V DC]	Capacitance C_r [μ F]	Ripple Current at 105°C/120Hz I_r [A RMS]	Ripple Current at 40°C/120Hz [A RMS]	ESR (typ) at 20°C/100Hz [m Ω]	Dissipation Factor at 20°C/100Hz Tan δ	DxL [mm]	Product Code # = variable value, see fixing code in the product code	
180 VDC Code: 2P Surge Voltage 225 VDC	470	1.31	3.53	265	0.15	25x25	HU32P471M#YS2	
		1.41	3.80	265	0.15	25x30	HU32P471M#YS3	
	560	1.53	4.13	225	0.15	22x35	HU32P561M#XS4	
		1.54	4.16	225	0.15	25x30	HU32P561M#YS3	
		1.54	4.16	225	0.15	30x25	HU32P561M#ZS2	
	680	1.77	4.78	185	0.15	22x40	HU32P681M#XS5	
		1.79	4.84	185	0.15	25x35	HU32P681M#YS4	
		1.69	4.57	185	0.15	30x25	HU32P681M#ZS2	
	820	2.04	5.49	155	0.15	22x45	HU32P821M#XS6	
		2.06	5.55	155	0.15	25x40	HU32P821M#YS5	
		1.97	5.32	155	0.15	30x30	HU32P821M#ZS3	
	1 000	2.37	6.39	125	0.15	25x45	HU32P102M#YS6	
		2.30	6.21	125	0.15	30x35	HU32P102M#ZS4	
		2.30	6.21	125	0.15	35x30	HU32P102M#AS3	
	1 200	2.63	7.10	105	0.15	30x40	HU32P122M#ZS5	
		2.52	6.80	105	0.15	35x30	HU32P122M#AS3	
	1 500	3.07	8.29	85	0.15	30x45	HU32P152M#ZS6	
		3.20	8.64	85	0.15	30x50	HU32P152M#ZS7	
		2.99	8.08	85	0.15	35x35	HU32P152M#AS4	
	1 800	3.40	9.18	70	0.15	35x40	HU32P182M#AS5	
		3.44	9.30	70	0.15	40x36	HU32P182M#BS4	
	200 VDC Code: 2D Surge Voltage 250 VDC	220	1.01	2.73	485	0.15	22x25	HU32D221M#XS2
		270	1.13	3.06	395	0.15	22x25	HU32D271M#XS2
		330	1.14	3.09	325	0.15	22x25	HU32D331M#XS2
1.33			3.59	325	0.15	22x30	HU32D331M#XS3	
390		1.32	3.56	325	0.15	25x25	HU32D331M#YS2	
		1.32	3.56	275	0.15	22x30	HU32D391M#XS3	
		1.53	4.13	275	0.15	22x35	HU32D391M#XS4	
470		1.44	3.89	275	0.15	25x25	HU32D391M#YS2	
		1.54	4.16	230	0.15	22x35	HU32D471M#XS4	
		1.95	5.26	230	0.15	22x50	HU32D471M#XS7	
560		1.44	3.89	230	0.15	25x25	HU32D471M#YS2	
		1.69	4.57	230	0.15	30x25	HU32D471M#ZS2	
		1.77	4.78	190	0.15	22x40	HU32D561M#XS5	
680		1.67	4.51	190	0.15	25x30	HU32D561M#YS3	
		1.67	4.51	190	0.15	30x25	HU32D561M#ZS2	
		1.95	5.26	160	0.15	22x40	HU32D681M#XS5	
820		1.96	5.29	160	0.15	25x35	HU32D681M#YS4	
		1.86	5.02	160	0.15	30x25	HU32D681M#ZS2	
		2.26	6.09	130	0.15	25x40	HU32D821M#YS5	
1 000		2.17	5.85	130	0.15	30x30	HU32D821M#ZS3	
		2.16	5.82	130	0.15	35x25	HU32D821M#AS2	
		2.61	7.04	110	0.15	25x45	HU32D102M#YS6	
		2.52	6.80	110	0.15	30x35	HU32D102M#ZS4	
		2.76	7.45	110	0.15	35x30	HU32D102M#AS3	

Additional designs on request · Weitere Designs auf Anfrage

Rated VoltageCode (Surge Voltage) V_r [V DC]	Capacitance C_r [μF]	Ripple Current at 105°C/120Hz I_r [A RMS]	Ripple Current at 40°C/120Hz [A RMS]	ESR (typ) at 20°C/100Hz [mΩ]	Dissipation Factor at 20°C/100Hz Tan δ	DxL [mm]	Product Code # = variable value, see fixing code in the product code	
200 VDC Code: 2D Surge Voltage 250 VDC	1 200	2.89	7.81	90	0.15	30x40	HU32D122M#ZS5	
		2.76	7.45	90	0.15	35x30	HU32D122M#AS3	
	1 500	3.40	9.18	75	0.15	35x40	HU32D152M#AS5	
		3.72	10.04	75	0.15	35x45	HU32D152M#AS6	
		3.77	10.19	75	0.15	40x36	HU32D152M#BS4	
		3.88	10.48	60	0.15	35x45	HU32D182M#AS6	
	1 800	4.41	11.91	60	0.15	35x50	HU32D182M#AS7	
		4.28	11.55	60	0.15	40x41	HU32D182M#BS5	
		4.07	10.99	50	0.15	35x50	HU32D222M#AS7	
	250 VDC Code: 2E Surge Voltage 300 VDC	220	1.01	2.73	445	0.15	22x25	HU32E221M#XS2
			1.10	2.97	445	0.15	22x30	HU32E221M#XS2
			1.08	2.91	445	0.15	25x25	HU32E221M#YS2
		270	1.28	3.45	360	0.15	22x35	HU32E271M#XS4
			1.19	3.21	360	0.15	25x25	HU32E271M#YS2
330		1.41	3.80	295	0.15	22x35	HU32E331M#XS4	
		1.31	3.53	295	0.15	25x25	HU32E331M#YS2	
		1.41	3.80	295	0.15	30x25	HU32E331M#ZS2	
390		1.63	4.40	250	0.15	22x40	HU32E391M#XS5	
		1.61	4.34	250	0.15	25x35	HU32E391M#YS4	
		1.53	4.13	250	0.15	30x25	HU32E391M#ZS2	
470		1.94	5.23	210	0.15	22x50	HU32E471M#XS7	
		1.86	5.02	210	0.15	25x40	HU32E471M#YS5	
		1.79	4.84	210	0.15	30x30	HU32E471M#ZS3	
		1.78	4.81	210	0.15	35x25	HU32E471M#AS2	
560		2.12	5.73	175	0.15	25x45	HU32E561M#YS6	
		2.06	5.55	175	0.15	30x35	HU32E561M#ZS4	
		1.96	5.29	175	0.15	35x25	HU32E561M#AS2	
680		2.44	6.59	145	0.15	25x50	HU32E681M#YS7	
		2.27	6.12	145	0.15	30x35	HU32E681M#ZS4	
		2.27	6.12	145	0.15	35x30	HU32E681M#AS3	
820		2.73	7.37	120	0.15	30x45	HU32E821M#ZS6	
		2.65	7.16	120	0.15	35x35	HU32E821M#AS4	
1 000		3.04	8.20	100	0.15	35x40	HU32E102M#AS5	
		3.08	8.32	100	0.15	40x36	HU32E102M#BS4	
		3.45	9.33	85	0.15	35x45	HU32E122M#AS6	
1 200		3.49	9.41	85	0.15	40x41	HU32E122M#BS5	
		3.86	10.42	65	0.15	35x45	HU32E152M#AS6	
1 500		4.03	10.87	65	0.15	35x50	HU32E152M#AS7	
		4.62	12.47	55	0.15	40x51	HU32E182M#BS7	
2 200		4.91	13.25	45	0.15	40x60	HU32E222M#BS9	
300 VDC Code: 300V Surge Voltage 350 VDC		680	2.43	6.56	180	0.15	30x50	HU3300V681M#ZS7
	750	2.55	6.89	165	0.15	30x50	HU3300V751M#ZS7	
	1 000	2.74	7.40	165	0.15	35x50	HU3300V102M#AS7	
	2 000	4.68	12.62	55	0.15	40x85	HU3300V202M#BS14	
	2 200	5.23	14.11	40	0.15	40x100	HU3300V222M#BS17	
		6.19	16.72	40	0.15	40x110	HU3300V222M#BS19	

Additional designs on request · Weitere Designs auf Anfrage

Rated VoltageCode (Surge Voltage) V_r [V DC]	Capacitance C_r [μ F]	Ripple Current at 105°C/120Hz I_r [A RMS]	Ripple Current at 40°C/120Hz [A RMS]	ESR (typ) at 20°C/100Hz [m Ω]	Dissipation Factor at 20°C/100Hz Tan δ	DxL [mm]	Product Code # = variable value, see fixing code in the product code
350 VDC Code: 2V Surge Voltage 400 VDC	82	0.52	1.40	1126	0.15	22x25	HU32V820M#XS2
	100	0.62	1.66	924	0.15	22x30	HU32V101M#XS3
		0.61	1.63	924	0.15	25x25	HU32V101M#YS2
	120	0.63	1.69	770	0.15	22x25	HU32V121M#XS2
		0.67	1.81	770	0.15	22x30	HU32V121M#XS3
		0.66	1.78	770	0.15	25x25	HU32V121M#YS2
	150	0.75	2.02	615	0.15	22x30	HU32V151M#XS3
		0.79	2.14	615	0.15	22x35	HU32V151M#XS4
		0.74	1.99	615	0.15	25x25	HU32V151M#YS2
	180	0.87	2.35	520	0.15	22x35	HU32V181M#XS4
		0.87	2.35	520	0.15	25x30	HU32V181M#YS3
		0.87	2.35	520	0.15	30x25	HU32V181M#ZS2
	220	1.06	2.85	450	0.15	22x45	HU32V221M#XS6
		1.01	2.73	450	0.15	25x35	HU32V221M#YS4
		0.96	2.58	450	0.15	30x25	HU32V221M#ZS2
	270	1.18	3.18	366	0.15	25x40	HU32V271M#YS5
		1.13	3.06	366	0.15	30x30	HU32V271M#ZS3
		1.12	3.03	366	0.15	35x25	HU32V271M#AS2
	330	1.36	3.68	299	0.15	25x45	HU32V331M#YS6
		1.32	3.56	299	0.15	30x35	HU32V331M#ZS4
		1.24	3.36	299	0.15	35x25	HU32V331M#AS2
	390	1.50	4.04	253	0.15	30x40	HU32V391M#ZS5
		1.43	3.86	253	0.15	35x30	HU32V391M#AS3
	470	1.65	4.46	210	0.15	35x35	HU32V471M#AS4
		1.76	4.75	210	0.15	40x36	HU32V471M#BS4
	560	1.96	5.29	181	0.15	30x50	HU32V561M#ZS7
		1.89	5.11	181	0.15	35x40	HU32V561M#AS5
		1.98	5.35	181	0.15	40x41	HU32V561M#BS5
	1 000	2.85	7.69	90	0.15	35x51	HU32V102M#AS7
	400 VDC Code: 2G Surge Voltage 450 VDC	68	0.57	1.54	1300	0.15	22x25
82		0.66	1.78	1080	0.15	22x30	HU32G820M#XS3
		0.66	1.78	1080	0.15	25x25	HU32G820M#YS2
100		0.63	1.69	890	0.15	22x25	HU32G101M#XS2
		0.74	1.99	890	0.15	22x30	HU32G101M#XS3
		0.73	1.96	890	0.15	25x25	HU32G101M#YS2
120		0.86	2.32	740	0.15	22x35	HU32G121M#XS4
		0.85	2.29	740	0.15	25x30	HU32G121M#YS3
		0.86	2.32	740	0.15	30x25	HU32G121M#ZS2
150		0.87	2.35	590	0.15	22x35	HU32G151M#XS4
		0.87	2.35	590	0.15	25x30	HU32G151M#YS3
		0.87	2.35	590	0.15	30x25	HU32G151M#ZS2
180		1.00	2.70	490	0.15	22x40	HU32G181M#XS5
		1.00	2.70	490	0.15	25x35	HU32G181M#YS4
		0.96	2.58	490	0.15	30x25	HU32G181M#ZS2
	1.11	3.00	490	0.15	35x25	HU32G181M#AS2	

Additional designs on request · Weitere Designs auf Anfrage

HU3 · Snap-In · 6000 h/105 °C

Rated VoltageCode (Surge Voltage) V_r [V DC]	Capacitance C_r [μF]	Ripple Current at 105°C/120Hz I_r [A RMS]	Ripple Current at 40°C/120Hz [A RMS]	ESR (typ) at 20°C/100Hz [mΩ]	Dissipation Factor at 20°C/100Hz Tan δ	DxL [mm]	Product Code # = variable value, see fixing code in the product code	
400 VDC Code: 2G Surge Voltage 450 VDC	220	1.17	3.15	400	0.15	25x40	HU32G221M#YS5	
		1.12	3.03	400	0.15	30x30	HU32G221M#ZS3	
		1.12	3.03	400	0.15	35x25	HU32G221M#AS2	
	270	1.35	3.65	330	0.15	25x45	HU32G271M#YS6	
		1.31	3.53	330	0.15	30x35	HU32G271M#ZS4	
		1.24	3.36	330	0.15	35x25	HU32G271M#AS2	
	330	1.52	4.10	270	0.15	30x40	HU32G331M#ZS5	
		1.73	4.66	270	0.15	30x45	HU32G331M#ZS6	
		1.45	3.92	270	0.15	35x30	HU32G331M#AS3	
		1.67	4.51	270	0.15	35x35	HU32G331M#AS4	
	390	1.96	5.29	230	0.15	30x50	HU32G391M#ZS7	
		1.66	4.48	230	0.15	35x35	HU32G391M#AS4	
		1.90	5.14	230	0.15	35x40	HU32G391M#AS5	
		1.91	5.17	230	0.15	40x36	HU32G391M#BS4	
	470	1.98	5.35	190	0.15	35x45	HU32G471M#AS6	
		2.26	6.09	190	0.15	35x50	HU32G471M#AS7	
		2.18	5.88	190	0.15	40x41	HU32G471M#BS5	
	560	2.23	6.03	160	0.15	30x55	HU32G561M#ZS8	
		2.17	5.85	160	0.15	35x45	HU32G561M#AS6	
		2.45	6.62	160	0.15	35x50	HU32G561M#AS7	
		2.77	7.48	100	0.15	35x50	HU32G821M#AS72P	
		2.29	6.18	160	0.15	40x36	HU32G561M#BS4	
	680	2.65	7.16	130	0.15	35x50	HU32G681M#AS7	
		2.90	7.84	130	0.15	35x60	HU32G681M#AS9	
	820	3.30	8.91	90	0.15	35x55	HU32G821M#AS82PCC	
		3.18	8.58	110	0.15	35x60	HU32G821M#AS9	
		3.27	8.82	110	0.15	40x61	HU32G821M#BS9	
	1 000	3.22	8.70	80	0.15	35x60	HU32G102M#AS9	
		3.52	9.50	90	0.15	40x76	HU32G102M#BS12	
		3.80	10.25	90	0.15	41x81	HU32G102M#BS13	
	1 200	3.75	10.13	75	0.15	40x75	HU32G122M#BS12	
		3.61	9.74	75	0.15	40x86	HU32G122M#BS14	
	1 500	4.95	13.37	68	0.15	35x100	HU32G152M#AS17	
		4.95	13.37	60	0.15	40x100	HU32G152M#BS17	
	420 VDC Code: 420V Surge Voltage 470 VDC	47	0.42	1.13	1880	0.15	22x25	HU3420V470M#XS2
		68	0.55	1.49	1300	0.15	22x30	HU3420V680M#XS3
0.57			1.54	1080	0.15	22x25	HU3420V820M#XS2	
82		0.59	1.60	1080	0.15	22x30	HU3420V820M#XS3	
		0.59	1.60	1080	0.15	25x25	HU3420V820M#YS2	
100		0.67	1.81	890	0.15	22x30	HU3420V101M#XS3	
		0.67	1.81	890	0.15	25x25	HU3420V101M#YS2	
120		0.78	2.11	740	0.15	22x35	HU3420V121M#XS4	
		0.73	1.96	740	0.15	25x25	HU3420V121M#YS2	
		0.77	2.08	740	0.15	30x25	HU3420V121M#ZS2	

Additional designs on request · Weitere Designs auf Anfrage

Rated VoltageCode (Surge Voltage) V_r [V DC]	Capacitance C_r [μ F]	Ripple Current at 105°C/120Hz I_r [A RMS]	Ripple Current at 40°C/120Hz [A RMS]	ESR (typ) at 20°C/100Hz [m Ω]	Dissipation Factor at 20°C/100Hz Tan δ	DxL [mm]	Product Code # = variable value, see fixing code in the product code	
420 VDC Code: 420V Surge Voltage 470 VDC	150	0.91	2.47	590	0.15	22x40	HU3420V151M#XS5	
		0.87	2.35	590	0.15	25x30	HU3420V151M#YS3	
		0.87	2.35	590	0.15	30x25	HU3420V151M#ZS2	
	180	1.00	2.70	490	0.15	25x35	HU3420V181M#YS4	
		0.96	2.58	490	0.15	30x25	HU3420V181M#ZS2	
		1.00	2.70	490	0.15	30x30	HU3420V181M#ZS3	
		0.99	2.67	490	0.15	35x25	HU3420V181M#AS2	
		1.22	3.30	400	0.15	25x45	HU3420V221M#YS6	
	220	1.12	3.03	400	0.15	30x30	HU3420V221M#ZS3	
		1.16	3.12	400	0.15	30x35	HU3420V221M#ZS4	
		1.12	3.03	400	0.15	35x25	HU3420V221M#AS2	
		1.31	3.53	330	0.15	30x35	HU3420V271M#ZS4	
	270	1.34	3.62	330	0.15	30x40	HU3420V271M#ZS5	
		1.31	3.53	330	0.15	35x30	HU3420V271M#AS3	
		1.35	3.65	330	0.15	35x35	HU3420V271M#AS4	
		1.58	4.28	270	0.15	30x45	HU3420V331M#ZS6	
	330	1.64	4.43	270	0.15	30x50	HU3420V331M#ZS7	
		1.53	4.13	270	0.15	35x35	HU3420V331M#AS4	
		1.55	4.19	270	0.15	35x40	HU3420V331M#AS5	
		1.74	4.69	230	0.15	35x40	HU3420V391M#AS5	
	390	1.77	4.78	230	0.15	35x45	HU3420V391M#AS6	
		2.04	5.49	200	0.15	35x50	HU3420V471M#AS7	
	470	2.28	6.16	170	0.15	35x50	HU32W471M#AS72P	
		47	0.46	1.25	1880	0.15	22x25	HU32W470M#XS2
	68		0.52	1.40	1300	0.15	22x25	HU32W680M#XS2
			0.61	1.63	1300	0.15	22x30	HU32W680M#XS3
			0.59	1.60	1300	0.15	25x25	HU32W680M#YS2
	82	0.61	1.63	1080	0.15	22x30	HU32W820M#XS3	
0.70		1.90	1080	0.15	22x35	HU32W820M#XS4		
0.61		1.63	1080	0.15	25x25	HU32W820M#YS2		
0.70		1.90	1080	0.15	25x30	HU32W820M#YS3		
100	0.72	1.93	890	0.15	22x35	HU32W101M#XS4		
	0.81	2.20	890	0.15	22x40	HU32W101M#XS5		
	0.70	1.90	890	0.15	25x30	HU32W101M#YS3		
	0.81	2.20	890	0.15	25x35	HU32W101M#YS4		
	0.78	2.11	890	0.15	30x25	HU32W101M#ZS2		
120	0.83	2.23	740	0.15	22x40	HU32W121M#XS5		
	0.94	2.52	740	0.15	22x45	HU32W121M#XS6		
	0.78	2.11	740	0.15	25x30	HU32W121M#YS3		
	0.88	2.38	740	0.15	25x35	HU32W121M#YS4		
	0.78	2.11	740	0.15	30x25	HU32W121M#ZS2		
	0.90	2.44	740	0.15	30x30	HU32W121M#ZS3		
0.90	2.44	740	0.15	35x25	HU32W121M#AS2			

Additional designs on request · Weitere Designs auf Anfrage

Rated VoltageCode (Surge Voltage) V_r [V DC]	Capacitance C_r [μF]	Ripple Current at 105°C/120Hz I_r [A RMS]	Ripple Current at 40°C/120Hz [A RMS]	ESR (typ) at 20°C/100Hz [mΩ]	Dissipation Factor at 20°C/100Hz Tan δ	DxL [mm]	Product Code # = variable value, see fixing code in the product code
450 VDC Code: 2W Surge Voltage 500 VDC	150	0.97	2.61	590	0.15	25x40	HU32W151M#YS5
		1.10	2.97	590	0.15	25x45	HU32W151M#YS6
		0.92	2.49	590	0.15	30x30	HU32W151M#ZS3
		1.06	2.85	590	0.15	30x35	HU32W151M#ZS4
		0.92	2.49	590	0.15	35x25	HU32W151M#AS3
		1.06	2.85	590	0.15	35x30	HU32W151M#AS3
	180	1.11	3.00	490	0.15	25x45	HU32W181M#YS6
		1.25	3.39	490	0.15	25x50	HU32W181M#YS7
		1.01	2.73	490	0.15	30x30	HU32W181M#ZS3
		1.17	3.15	490	0.15	30x35	HU32W181M#ZS4
		1.01	2.73	490	0.15	35x25	HU32W181M#AS2
		1.17	3.15	490	0.15	35x30	HU32W181M#AS3
	220	1.18	3.18	400	0.15	30x35	HU32W221M#ZS4
		1.34	3.62	400	0.15	30x40	HU32W221M#ZS5
		1.19	3.21	400	0.15	35x30	HU32W221M#AS3
		1.38	3.72	400	0.15	35x35	HU32W221M#AS4
	270	1.43	3.86	330	0.15	30x45	HU32W271M#ZS6
		1.63	4.40	330	0.15	30x50	HU32W271M#ZS7
		1.51	4.07	330	0.15	35x35	HU32W271M#AS4
		1.57	4.25	330	0.15	35x40	HU32W271M#AS5
	330	1.60	4.31	270	0.15	35x40	HU32W331M#AS5
		1.80	4.87	270	0.15	35x45	HU32W331M#AS6
	390	1.80	4.87	230	0.15	35x45	HU32W391M#AS6
		2.05	5.52	230	0.15	35x50	HU32W391M#AS7
	470	2.11	5.70	200	0.15	30x60	HU32W471M#ZS9
		2.24	6.06	200	0.15	35x50	HU32W471M#AS7
		2.33	6.30	200	0.15	35x55	HU32W471M#AS8
	560	2.55	6.89	180	0.15	35x60	HU32W561M#AS9
		2.70	7.28	180	0.15	40x61	HU32W561M#BS9
		2.84	7.66	180	0.15	40x75	HU32W561M#BS12
	680	2.71	7.32	150	0.15	35x50	HU32W681M#AS72P
		2.48	6.70	150	0.15	35x60	HU32W681M#AS9
		3.01	8.14	150	0.15	35x75	HU32W681M#AS12
		3.06	8.26	150	0.15	40x61	HU32W681M#BS9
	750	3.26	8.79	128	0.15	35x81	HU32W751M#AS13
		3.01	8.14	128	0.15	40x61	HU32W751M#BS9
		3.37	9.09	128	0.15	40x81	HU32W751M#BS13
	820	2.67	7.21	125	0.15	35x70	HU32W821M#AS11
		3.39	9.15	110	0.15	35x80	HU32W821M#AS13
		2.84	7.66	110	0.15	40x76	HU32W821M#BS12
		3.43	9.27	110	0.15	40x91	HU32W821M#BS15
	1 000	3.80	10.25	100	0.15	40x76	HU32W102M#BS12
	1 200	3.80	10.25	70	0.15	40x100	HU32W122M#BS17
		3.64	9.83	83	0.15	41x86	HU32W122M#BS14
	1 300	3.97	10.72	69	0.15	40x96	HU32W132M#BS16

Additional designs on request · Weitere Designs auf Anfrage

Rated VoltageCode (Surge Voltage) V_r [V DC]	Capacitance C_r [μ F]	Ripple Current at 105°C/120Hz I_r [A RMS]	Ripple Current at 40°C/120Hz [A RMS]	ESR (typ) at 20°C/100Hz [m Ω]	Dissipation Factor at 20°C/100Hz Tan δ	DxL [mm]	Product Code # = variable value, see fixing code in the product code
500 VDC Code: 2H Surge Voltage 550 VDC	39	0.39	1.04	2440	0.20	22x30	HU32H390M#XS3
	47	0.45	1.22	2030	0.20	22x35	HU32H470M#XS4
	56	0.52	1.40	1700	0.20	22x40	HU32H560M#XS5
	68	0.59	1.60	1400	0.20	22x45	HU32H680M#XS6
		0.54	1.46	1400	0.20	30x25	HU32H680M#ZS2
	82	0.68	1.84	1165	0.20	22x45	HU32H820M#XS5
		0.68	1.84	1165	0.20	22x50	HU32H820M#XS7
		0.64	1.72	1165	0.20	25x40	HU32H820M#YS5
		0.63	1.69	1165	0.20	30x30	HU32H820M#ZS3
		0.62	1.66	1165	0.20	35x25	HU32H820M#AS2
	100	0.74	1.99	960	0.20	25x45	HU32H101M#YS6
		0.73	1.96	960	0.20	30x35	HU32H101M#ZS4
		0.73	1.96	960	0.20	35x30	HU32H101M#AS3
	120	0.85	2.29	800	0.20	25x50	HU32H121M#YS7
		0.79	2.14	800	0.20	30x35	HU32H121M#ZS4
		0.84	2.26	800	0.20	30x40	HU32H121M#ZS5
		0.79	2.14	800	0.20	35x30	HU32H121M#AS3
	150	0.95	2.55	640	0.20	25x50	HU32H151M#YS7
		0.94	2.52	640	0.20	30x40	HU32H151M#ZS5
		0.97	2.61	640	0.20	30x45	HU32H151M#ZS6
		0.94	2.52	640	0.20	35x35	HU32H151M#AS4
	180	1.11	3.00	535	0.20	30x50	HU32H181M#ZS7
		1.07	2.88	535	0.20	35x40	HU32H181M#AS5
	220	1.18	3.18	434	0.20	35x40	HU32H221M#AS5
		1.23	3.33	434	0.20	35x45	HU32H221M#AS6
	250	1.36	3.68	390	0.20	30x55	HU32H251M#ZS8
	270	1.42	3.83	360	0.20	35x50	HU32H271M#AS7
	330	1.57	4.25	290	0.20	35x50	HU32H331M#AS7
		1.68	4.54	290	0.20	35x60	HU32H331M#AS9
	390	1.83	4.93	245	0.20	35x60	HU32H391M#AS9
		1.90	5.14	245	0.20	35x75	HU32H391M#AS12
	470	2.52	6.80	145	0.20	35x60	HU32H471M#AS9
2.17		5.85	210	0.20	35x85	HU32H471M#AS14	
2.09		5.64	210	0.20	40x61	HU32H471M#BS9	
2.17		5.85	210	0.20	40x76	HU32H471M#BS12	
560	2.42	6.53	188	0.20	40x81	HU32H561M#BS13	
680	2.67	7.22	140	0.20	40x81	HU32H681M#BS13	
820	3.21	8.67	128	0.20	40x101	HU32H821M#BS17	
1 000	3.78	10.22	100	0.20	50x85	HU32H821M#CS14	

Additional designs on request · Weitere Designs auf Anfrage

> Ripple Current Multiplier · Wechselstrommultiplikator

Frequency [Hz]		50/60	120	300	1k	≥ 10k
Multiplier	16V – 100V	0.70	1.00	1.10	1.20	1.20
	160V – 500V	0.70	1.00	1.18	1.34	1.45

Temperature [°C]	40	45	50	55	60	65	70	75	80	85	90	95	100	105
Multiplier	2.7	2.6	2.5	2.4	2.3	2.2	2.1	2.0	1.9	1.8	1.5	1.2	1.1	1.0

Forced cooling – Wind speed [m/sec]	v < 0.25	v ≥ 0.25	v ≥ 0.5	v ≥ 1.0	v ≥ 2.0	v ≥ 3.0
Multiplier	1.00	1.05	1.10	1.15	1.20	1.25

> Life Time Table · Brauchbarkeitsdauer – Tabelle

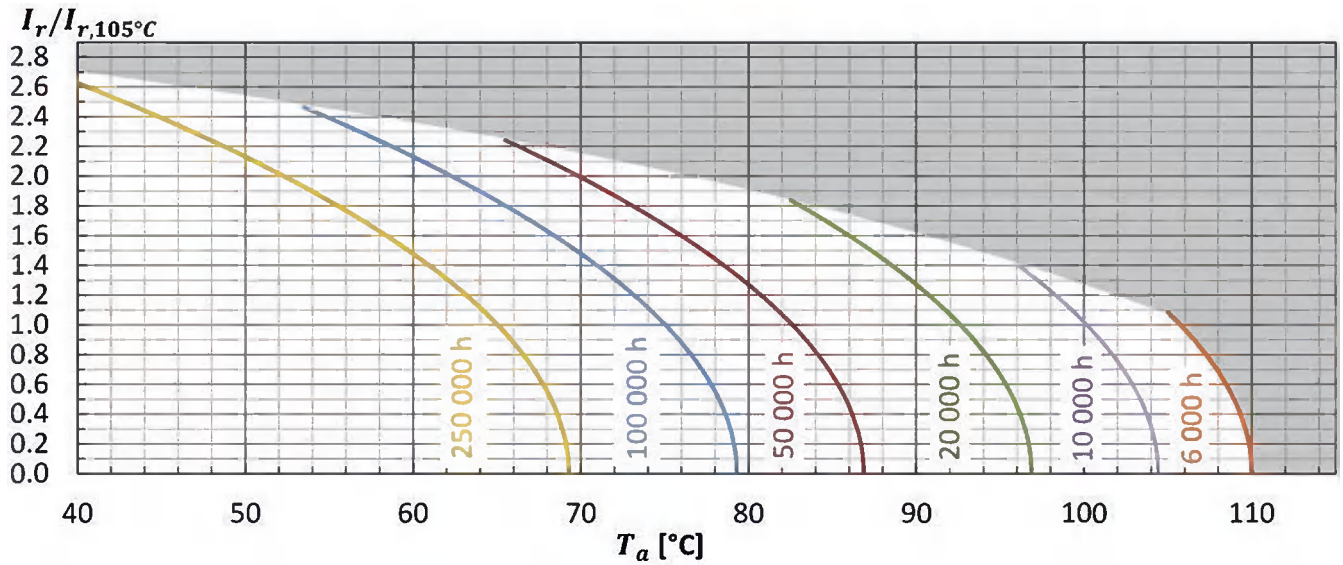
HU3	Useful life as function of ambient temperature and ripple current													
	I _r at 105°C	x 1.0	x 1.2	x 1.5	x 1.8	x 1.9	x 2.0	x 2.1	x 2.2	x 2.3	x 2.4	x 2.5	x 2.6	x 2.7
T _a = 40°C	250	250	250	250	250	250	250	250	250	250	250	250	250	214
T _a = 45°C	250	250	250	250	250	250	250	250	250	250	245	203	166	
T _a = 50°C	250	250	250	250	250	250	250	222	186	155	128			
T _a = 55°C	250	250	250	250	227	195	166	140	118	98				
T _a = 60°C	250	250	243	165	143	123	105	88	74					
T _a = 65°C	250	211	154	104	90	78	66	56						
T _a = 70°C	158	133	97	66	57	49	42							
T _a = 75°C	100	84	61	41	36	31								
T _a = 80°C	63	53	39	26	22									
T _a = 85°C	40	33	24	16										
T _a = 90°C	25	21	15											
T _a = 95°C	16	13												
T _a = 100°C	10													
T _a = 105°C	6													

khrs Max. value limited to 250 000 hours.

> Life Time Graph · Brauchbarkeitsdauer – Diagramm

Useful life depending on ambient temperature T_a and ripple current operating conditions I_r versus rated ripple current at the upper category temperature I_{r, 105°C, 120Hz}

Brauchbarkeitsdauer in Abhängigkeit von Umgebungstemperatur T_a und Wechselstrombelastung I_r im Verhältnis zur max. Wechselstrombelastung bei oberer Kategorie-temperatur I_{r, 105°C, 120Hz}



> Life Time Tests and Requirements · Anforderungen Brauchbarkeitsdauer

Life time test	Test procedure	Life time criteria
Endurance test	$T_a = 105^\circ\text{C}$; V_r, I_r applied 4000 hours	$\Delta C/C \leq 15\%$ (of initial value) $\text{Tan}\delta \leq 175\%$ (of specified value) $I_L \leq$ specified value
Useful life	$T_a = 105^\circ\text{C}$; V_r, I_r applied 6000 hours	$\Delta C/C \leq 20\%$ (of initial value) $\text{Tan}\delta < 200\%$ (of specified value) $I_L \leq$ specified value

Reference Specification: JIS C 5101-4, JIS C 5102, IEC 60384-4

HU · Snap-In · 6000h/105 °C

Standard Performances · Most Compact Design

> Specifications · Spezifikationen

Items	Characteristics
Temperature range	-40°C ~ + 105°C (200VDC - 250VDC) -25°C ~ + 105°C (400VDC - 550VDC)
Capacitance tolerance (at 20°C)	Standard +/- 20%, -10%/+30% on request
Surge voltage	Repetitive max. 30 sec per 6 Minutes
Leakage current max. I _L (20°C, 5 min)	0.02 • C • V _r [μA] or 3 mA, which is smaller.
Useful life	6000h at 105°C
Field failure rate	0.5 FIT = 0.5 • 10 ⁻⁹ Failures/hour
Reference standards	IEC 60384-4, JIS C 5101-4, AEC-Q200 qualified
Vibration	0.75mm, 10...55Hz, 10g, 3x2h
Sleeve withstanding voltage	3000 Vac/1 min between terminals bundled and plate*
Product Compliance	RoHS, REACH, Conflict Minerals a.o. - refer to p. 12-13



* Typical value using sleeve which is free from any scratches and damages

> Outline Drawings · Bauformen

Refer to page 7 for available terminal shapes and dimensions. · Auf Seite 7 finden Sie die verfügbaren Bauformen und Maße.

> Product Code · Bestellbezeichnung

Example: Series HU · 400 V · 330 μF ±20 % · 30x30 mm · 2-pin terminal · without plate

HU		2G		331		M		R		Z		S3		WPEC	
Type of series		Capacitance code		Terminal symbol code		Rated voltage code		Capacitance tolerance		Diameter code		Length code			
		The first two digits are significant. The last digit indicates the number of following zeros in μF.		R: 2-claw 6.3 mm S: 4-claw 6.3 mm C: 2-claw short 4.0 mm X: 4-claw short 4.0 mm E: 3-claw short 4.0 mm T: 2-lugs 4.5 mm		Code Voltage		M : ± 20% Q : -10% ~ +30%		Code ØD		Code L Code L			
						2D 200				W 20		S1 20 S10 65			
						2E 250				X 22		S2 25 S11 70			
						2V 350				Y 25		S3 30 S12 75			
						2G 400				Z 30		S4 35 S13 80			
						420V 420				A 35		S5 40 S14 85			
						2W 450				B 40		S6 45 S15 90			
						2H 500				H 46		S7 50 S16 95			
						2L 550				C 50		S8 55 S17 100			
												S9 60 S18 105			

Outer design code
None: PET sleeve and PVC plate
WPEC: PET sleeve without plate
Others on request

Rated VoltageCode (Surge Voltage) V_r [V DC]	Capacitance C_r [μ F]	Ripple Current at 105°C/120Hz I_r [A RMS]	Ripple Current at 40°C/120Hz [A RMS]	ESR (typ) at 20°C/100Hz [m Ω]	Dissipation Factor at 20°C/100Hz Tan δ	DxL [mm]	Product Code # = variable value, see fixing code in the product code
200 VDC Code: 2D Surge Voltage 250 VDC	330	1.07	2.46	330	0.15	22x25	HU2D331M#XS2
	390	1.24	2.85	280	0.15	22x30	HU2D391M#XS3
	470	1.31	3.01	240	0.15	25x25	HU2D471M#YS2
	560	1.58	3.63	200	0.15	22x35	HU2D561M#XS4
		1.52	3.50	200	0.15	25x30	HU2D561M#YS3
	680	1.83	4.21	160	0.15	22x40	HU2D681M#XS5
		1.77	4.07	160	0.15	25x35	HU2D681M#YS4
		1.60	3.68	160	0.15	30x25	HU2D681M#ZS2
	820	2.20	5.06	140	0.15	22x50	HU2D821M#XS7
		2.05	4.72	140	0.15	25x40	HU2D821M#YS5
		1.86	4.28	140	0.15	30x30	HU2D821M#ZS3
		1.52	3.50	140	0.15	35x25	HU2D821M#AS2
	1 000	2.37	5.45	110	0.15	25x45	HU2D102M#YS6
		2.17	4.99	110	0.15	30x35	HU2D102M#ZS4
	1 200	2.70	6.21	100	0.15	25x50	HU2D122M#YS7
		2.49	5.73	100	0.15	30x40	HU2D122M#ZS5
		1.94	4.46	100	0.15	35x30	HU2D122M#AS3
	1 500	2.91	6.69	80	0.15	30x45	HU2D152M#ZS6
		2.29	5.27	80	0.15	35x35	HU2D152M#AS4
	1 800	3.32	7.64	70	0.15	30x50	HU2D182M#ZS7
2.62		6.03	70	0.15	35x40	HU2D182M#AS5	
2 200	3.02	6.95	50	0.15	35x45	HU2D222M#AS6	
2 700	3.86	8.88	50	0.15	35x50	HU2D272M#AS7	
250 VDC Code: 2E Surge Voltage 300 VDC	220	0.95	2.19	440	0.15	22x25	HU2E221M#XS2
	330	1.30	2.99	290	0.15	20x35	HU2E331M#WS4
		1.24	2.85	290	0.15	22x30	HU2E331M#XS3
	390	1.19	2.74	290	0.15	25x25	HU2E331M#YS2
		1.42	3.27	250	0.15	22x35	HU2E391M#XS4
	470	1.37	3.15	250	0.15	25x30	HU2E391M#YS3
		1.65	3.80	210	0.15	22x40	HU2E471M#XS5
	560	1.42	3.27	210	0.15	30x25	HU2E471M#ZS2
		1.88	4.32	180	0.15	22x45	HU2E561M#XS6
		1.74	4.00	180	0.15	25x35	HU2E561M#YS4
	680	2.16	4.97	150	0.15	22x50	HU2E681M#XS7
		2.01	4.62	150	0.15	25x40	HU2E681M#YS5
		2.11	4.85	150	0.15	25x45	HU2E681M#YS6
		1.82	4.19	150	0.15	30x30	HU2E681M#ZS3
	820	1.52	3.50	150	0.15	35x25	HU2E681M#AS2
		2.41	5.54	120	0.15	25x50	HU2E821M#YS7
		2.10	4.83	120	0.15	30x35	HU2E821M#ZS4
	1 000	1.76	4.05	120	0.15	35x30	HU2E821M#AS3
		2.43	5.59	100	0.15	30x40	HU2E102M#ZS5
	1 200	2.04	4.69	100	0.15	35x35	HU2E102M#AS4
2.89		6.65	80	0.15	30x50	HU2E122M#ZS7	
1 500	2.34	5.38	80	0.15	35x40	HU2E122M#AS5	
	2.73	6.28	70	0.15	35x45	HU2E152M#AS6	
1 800	3.11	7.15	60	0.15	35x50	HU2E182M#AS7	

Additional designs on request · Weitere Designs auf Anfrage

Rated VoltageCode (Surge Voltage) V_r [V DC]	Capacitance C_r [μ F]	Ripple Current at 105°C/120Hz I_r [A RMS]	Ripple Current at 40°C/120Hz [A RMS]	ESR (typ) at 20°C/100Hz [m Ω]	Dissipation Factor at 20°C/100Hz Tan δ	DxL [mm]	Product Code # = variable value, see fixing code in the product code
400 VDC Code: 2G Surge Voltage 450 VDC	82	0.63	1.45	1170	0.20	22x25	HU2G820M#XS2
	120	0.77	1.77	800	0.20	22x25	HU2G121M#XS2
	150	0.92	2.12	640	0.20	22x30	HU2G151M#XS3
	180	1.01	2.32	540	0.20	22x30	HU2G181M#XS3
		1.05	2.42	540	0.20	22x35	HU2G181M#XS4
		0.99	2.28	540	0.20	25x25	HU2G181M#YS2
	220	1.11	2.55	440	0.20	22x30	HU2G221M#XS3
		1.22	2.81	440	0.20	22x40	HU2G221M#XS5
		1.10	2.53	440	0.20	25x25	HU2G221M#YS2
		1.16	2.67	440	0.20	25x30	HU2G221M#YS3
	270	1.29	2.97	360	0.20	22x35	HU2G271M#XS4
		1.40	3.22	360	0.20	22x45	HU2G271M#XS6
		1.28	3.46	360	0.20	25x30	HU2G271M#YS3
		1.35	3.11	360	0.20	25x35	HU2G271M#YS4
		1.28	2.94	360	0.20	30x25	HU2G271M#ZS2
	330	1.54	3.54	290	0.20	22x45	HU2G331M#XS6
		1.59	3.66	290	0.20	22x50	HU2G331M#XS7
		1.49	3.43	290	0.20	25x35	HU2G331M#YS4
		1.55	3.57	290	0.20	25x40	HU2G331M#YS5
		1.41	3.24	290	0.20	30x25	HU2G331M#ZS2
		1.49	3.43	290	0.20	30x30	HU2G331M#ZS3
	390	1.46	3.36	290	0.20	35x25	HU2G331M#AS2
		1.73	3.98	250	0.20	22x50	HU2G391M#XS7
		1.68	3.86	250	0.20	25x40	HU2G391M#YS5
		1.74	4.00	250	0.20	25x45	HU2G391M#YS6
		1.62	3.72	250	0.20	30x30	HU2G391M#ZS3
		1.70	3.91	250	0.20	30x35	HU2G391M#ZS4
		1.59	3.66	250	0.20	35x25	HU2G391M#AS2
	460	1.87	4.30	250	0.20	35x30	HU2G391M#AS3
		1.72	3.96	215	0.20	35x25	HU2G461M#AS2
	470	1.92	4.41	210	0.20	25x45	HU2G471M#YS6
		1.98	4.55	210	0.20	25x50	HU2G471M#YS7
		1.86	4.28	210	0.20	30x35	HU2G471M#ZS4
		1.94	4.46	210	0.20	30x40	HU2G471M#ZS5
		1.84	4.23	210	0.20	35x30	HU2G471M#AS3
	560	2.16	4.97	180	0.20	25x50	HU2G561M#YS7
		2.11	4.85	180	0.20	30x40	HU2G561M#ZS5
		2.19	5.04	180	0.20	30x45	HU2G561M#ZS6
		2.01	4.62	180	0.20	35x30	HU2G561M#AS3
		2.09	4.81	180	0.20	35x35	HU2G561M#AS4
		2.41	5.54	150	0.20	30x45	HU2G681M#ZS6
	680	2.48	5.70	150	0.20	30x50	HU2G681M#ZS7
		2.31	5.31	150	0.20	35x35	HU2G681M#AS4
		2.40	5.52	150	0.20	35x40	HU2G681M#AS5
	750	2.67	6.14	135	0.20	35x50	HU2G751M#AS7

Additional designs on request · Weitere Designs auf Anfrage

Rated VoltageCode (Surge Voltage) V_r [V DC]	Capacitance C_r [μ F]	Ripple Current at 105°C/120Hz I_r [A RMS]	Ripple Current at 40°C/120Hz [A RMS]	ESR (typ) at 20°C/100Hz [m Ω]	Dissipation Factor at 20°C/100Hz Tan δ	DxL [mm]	Product Code # = variable value, see fixing code in the product code
400 VDC Code: 2G Surge Voltage 450 VDC	770	2.51	5.77	132	0.20	35x50	HU2G771M#AS7
		2.81	6.46	120	0.20	30x55	HU2G821M#ZS8
	820	2.63	6.05	120	0.20	35x40	HU2G821M#AS5
		2.72	6.26	120	0.20	35x45	HU2G821M#AS6
		2.78	6.39	120	0.20	35x50	HU2G821M#AS7
	950	4.00	9.20	75	0.20	35x55	HU2G951S#AS82PCC
		4.25	9.78	105	0.20	35x60	HU2G951M#AS92PCC
	1 000	3.09	7.11	100	0.20	35x50	HU2G102M#AL51
		2.86	6.58	120	0.20	35x60	HU2G102M#AS9
	1 200	3.44	7.91	80	0.20	35x75	HU2G122M#AS12
	1 300	3.61	8.30	80	0.20	35x80	HU2G132M#AS13
	1 500	3.93	9.04	80	0.20	35x100	HU2G152M#AS17
		3.99	9.18	80	0.20	40x75	HU2G152M#BS12
	1 700	6.00	13.80	45	0.20	40x90	HU2G172Q#BS15CC
	1 800	4.47	10.28	60	0.20	40x100	HU2G182M#BS17
2 100	5.43	12.49	50	0.20	40x100	HU2G212M#BS17CC	
420 VDC Code: 420V Surge Voltage 470 VDC	100	0.71	1.63	1020	0.20	22x25	HU420V101M#XS2
	120	0.77	1.77	850	0.20	22x25	HU420V101M#XS2
	150	0.87	2.00	680	0.20	22x25	HU420V151M#XS2
		0.92	2.12	680	0.20	22x30	HU420V151M#XS3
	180	0.90	2.07	680	0.20	25x25	HU420V151M#YS2
		1.01	2.32	570	0.20	22x30	HU420V181M#XS3
		1.05	2.42	570	0.20	22x35	HU420V181M#XS4
	220	1.05	2.42	570	0.20	25x30	HU420V181M#YS3
		1.17	2.69	470	0.20	22x35	HU420V221M#XS4
		1.22	2.81	470	0.20	22x40	HU420V221M#XS5
	270	1.21	2.78	470	0.20	25x35	HU420V221M#YS4
		1.15	2.65	470	0.20	30x25	HU420V221M#ZS2
		1.35	3.11	380	0.20	22x40	HU420V271M#XS5
		1.40	3.22	380	0.20	22x45	HU420V271M#XS6
		1.35	3.11	380	0.20	25x35	HU420V271M#YS4
	330	1.28	2.94	380	0.20	30x25	HU420V271M#ZS2
		1.38	3.17	380	0.20	35x25	HU420V271M#AS2
		1.54	3.54	310	0.20	22x45	HU420V331M#XS6
		1.59	3.66	310	0.20	22x50	HU420V331M#XS7
		1.55	3.57	310	0.20	25x40	HU420V331M#YS5
		1.61	3.70	310	0.20	25x45	HU420V331M#YS6
		1.49	3.43	310	0.20	30x30	HU420V331M#ZS3
	390	1.56	3.59	310	0.20	30x35	HU420V331M#ZS4
		1.46	3.36	310	0.20	35x25	HU420V331M#AS2
		1.74	4.00	270	0.20	25x45	HU420V391M#YS6
		1.80	4.14	270	0.20	25x50	HU420V391M#YS7
		1.62	3.73	270	0.20	30x30	HU420V391M#ZS3
1.76		4.05	270	0.20	30x40	HU420V391M#ZS5	
	1.59	3.66	270	0.20	35x25	HU420V391M#AS2	
	1.67	3.84	270	0.20	35x30	HU420V391M#AS3	

Additional designs on request · Weitere Designs auf Anfrage

Rated VoltageCode (Surge Voltage) V_r [V DC]	Capacitance C_r [μ F]	Ripple Current at 105°C/120Hz I_r [A RMS]	Ripple Current at 40°C/120Hz [A RMS]	ESR (typ) at 20°C/100Hz [m Ω]	Dissipation Factor at 20°C/100Hz Tan δ	DxL [mm]	Product Code # = variable value, see fixing code in the product code	
420 VDC Code: 420V Surge Voltage 470 VDC	470	1.98	4.55	220	0.20	25x50	HU420V471M#YS7	
		1.86	4.28	220	0.20	30x35	HU420V471M#ZS4	
		1.94	4.46	220	0.20	30x40	HU420V471M#ZS5	
		2.00	4.60	220	0.20	30x45	HU420V471M#ZS6	
		1.84	4.23	220	0.20	35x30	HU420V471M#AS3	
		1.92	4.42	220	0.20	35x35	HU420V471M#AS4	
	520	2.18	5.01	190	0.20	30x45	HU420V521M#ZS6	
	560	2.27	5.22	190	0.20	25x60	HU420V561M#YS9	
		2.11	4.85	190	0.20	30x40	HU420V561M#ZS5	
		2.25	5.18	190	0.20	30x50	HU420V561M#ZS7	
		2.09	4.81	190	0.20	35x35	HU420V561M#AS4	
		2.18	5.01	190	0.20	35x40	HU420V561M#AS5	
		680	2.48	5.70	150	0.20	30x50	HU420V681M#ZS7
	680	2.40	5.52	150	0.20	35x40	HU420V681M#AS5	
		2.48	5.70	150	0.20	35x45	HU420V681M#AS6	
		2.56	5.89	150	0.20	35x50	HU420V681M#AS7	
		720	2.55	5.86	140	0.20	35x45	HU420V721M#AS6
	820	2.81	6.46	130	0.20	30x55	HU420V821M#ZS8	
		2.72	6.26	130	0.20	35x45	HU420V821M#AS6	
		2.80	6.44	130	0.20	35x50	HU420V821M#AS7	
	920	2.96	6.81	120	0.20	35x60	HU420V921M#AS9	
	1000	3.25	7.48	110	0.20	35x60	HU420V102M#AS9	
		3.30	7.59	110	0.20	40x56	HU420V102M#BS8	
	1200	3.57	8.21	90	0.20	40x75	HU420V122M#BS12	
		3.46	7.96	90	0.20	35x80	HU420V122M#AS13	
	1500	4.07	9.36	70	0.20	40x100	HU420V152M#BS17	
	1600	4.20	9.66	70	0.20	40x100	HU420V162M#BS17	
	1800	4.45	10.24	67	0.20	40x100	HU420V182M#BS17	
	450 VDC Code: 2W Surge Voltage 500 VDC	68	0.54	1.24	1500	0.20	22x20	HU2W680M#XS1
			0.71	1.63	1020	0.20	20x30	HU2W101M#WS3
100		0.71	1.63	1020	0.20	22x25	HU2W101M#XS2	
		0.75	1.73	1020	0.20	22x30	HU2W101M#XS3	
		0.72	1.66	1020	0.20	30x20	HU2W101M#ZS1	
120		0.82	1.89	850	0.20	22x30	HU2W121M#XS3	
		0.81	1.86	850	0.20	25x25	HU2W121M#YS2	
150		0.92	2.12	680	0.20	22x30	HU2W151M#XS3	
		0.96	2.21	680	0.20	22x35	HU2W151M#XS4	
		0.90	2.07	680	0.20	25x25	HU2W151M#YS2	
180		1.01	2.32	570	0.20	22x30	HU2W181M#XS3	
		1.05	2.42	570	0.20	22x35	HU2W181M#XS4	
		1.09	2.51	570	0.20	22x40	HU2W181M#XS5	
		0.99	2.28	570	0.20	25x25	HU2W181M#YS2	
		1.05	2.42	570	0.20	25x30	HU2W181M#YS3	
		1.09	2.51	570	0.20	25x35	HU2W181M#YS4	
	1.04	2.39	570	0.20	30x25	HU2W181M#ZS2		

Additional designs on request · Weitere Designs auf Anfrage

Rated VoltageCode (Surge Voltage) V_r [V DC]	Capacitance C_r [μF]	Ripple Current at 105°C/120Hz I_r [A RMS]	Ripple Current at 40°C/120Hz [A RMS]	ESR (typ) at 20°C/100Hz [mΩ]	Dissipation Factor at 20°C/100Hz Tan δ	DxL [mm]	Product Code # = variable value, see fixing code in the product code	
450 VDC Code: 2W Surge Voltage 500 VDC	220	1.17	2.69	470	0.20	22x35	HU2W221M#XS4	
		1.22	2.81	470	0.20	22x40	HU2W221M#XS5	
		1.25	2.88	470	0.20	22x45	HU2W221M#XS6	
		1.16	2.67	470	0.20	25x30	HU2W221M#YS3	
		1.21	2.78	470	0.20	25x35	HU2W221M#YS4	
		1.15	2.65	470	0.20	30x25	HU2W221M#ZS2	
	270	1.40	3.22	380	0.20	22x45	HU2W271M#XS6	
		1.44	3.31	380	0.20	22x50	HU2W271M#XS7	
		1.35	3.11	380	0.20	25x35	HU2W271M#YS4	
		1.40	3.22	380	0.20	25x40	HU2W271M#YS5	
		1.28	2.94	380	0.20	30x25	HU2W271M#ZS2	
		1.35	3.11	380	0.20	30x30	HU2W271M#ZS3	
	330	1.38	3.17	380	0.20	35x25	HU2W271M#AS2	
		1.59	3.66	310	0.20	22x50	HU2W331M#XS7	
		1.49	3.43	310	0.20	25x35	HU2W331M#YS4	
		1.55	3.57	310	0.20	25x40	HU2W331M#YS5	
		1.61	3.70	310	0.20	25x45	HU2W331M#YS6	
		1.65	3.80	310	0.20	25x50	HU2W331M#YS7	
		1.49	3.43	310	0.20	30x30	HU2W331M#ZS3	
		1.56	3.59	310	0.20	30x35	HU2W331M#ZS4	
	390	1.46	3.36	310	0.20	35x25	HU2W331M#AS2	
		1.53	3.52	310	0.20	35x30	HU2W331M#AS3	
		1.74	4.00	270	0.20	25x45	HU2W391M#YS6	
		1.80	4.14	270	0.20	25x50	HU2W391M#YS7	
		1.70	3.91	270	0.20	30x35	HU2W391M#ZS4	
		1.76	4.05	270	0.20	30x40	HU2W391M#ZS5	
	470	1.59	3.66	270	0.20	35x25	HU2W391M#AS2	
		2.04	4.69	220	0.20	25x55	HU2W471M#YS8	
		2.29	5.27	220	0.20	25x60	HU2W471M#YS9	
		1.94	4.46	220	0.20	30x40	HU2W471M#ZS5	
		2.00	4.60	220	0.20	30x45	HU2W471M#ZS6	
		2.08	4.78	220	0.20	30x50	HU2W471M#ZS7	
		1.84	4.23	220	0.20	35x30	HU2W471M#AS3	
		1.92	4.42	220	0.20	35x35	HU2W471M#AS4	
	560	1.99	4.58	220	0.20	35x40	HU2W471M#AS5	
		2.27	5.22	190	0.20	25x60	HU2W561M#YS9	
		2.25	5.18	190	0.20	30x50	HU2W561M#ZS7	
		2.09	4.81	190	0.20	35x35	HU2W561M#AS4	
		2.18	5.01	190	0.20	35x40	HU2W561M#AS5	
	680	2.26	5.20	190	0.20	35x45	HU2W561M#AS6	
		2.48	5.70	150	0.20	25x70	HU2W681M#YS11	
		2.48	5.70	150	0.20	30x51	HU2W681M#ZS7	
		2.56	5.89	150	0.20	30x55	HU2W681M#ZS8	
		2.48	5.70	150	0.20	35x45	HU2W681M#AS6	
	820	2.55	5.87	150	0.20	35x50	HU2W681M#AS7	
		2.87	6.60	130	0.20	30x60	HU2W821M#ZS9	
			2.80	6.44	130	0.20	35x50	HU2W821M#AS7

Additional designs on request · Weitere Designs auf Anfrage

Rated VoltageCode (Surge Voltage) V_r [V DC]	Capacitance C_r [μ F]	Ripple Current at 105°C/120Hz I_r [A RMS]	Ripple Current at 40°C/120Hz [A RMS]	ESR (typ) at 20°C/100Hz [m Ω]	Dissipation Factor at 20°C/100Hz Tan δ	DxL [mm]	Product Code # = variable value, see fixing code in the product code
450 VDC Code: 2W Surge Voltage 500 VDC	950	3.70	8.51	115	0.20	35x60	HU2W951M#AS92P
	1000	3.25	7.48	110	0.20	35x60	HU2W102M#AS9
		3.15	7.25	110	0.20	35x70	HU2W102M#AS11
	1200	4.01	9.22	90	0.20	35x82	HU2W122M#AS13CC
		3.51	8.05	90	0.20	35x100	HU2W122M#AS17
		3.57	8.21	90	0.20	40x75	HU2W122M#BS12
	1500	4.01	9.22	90	0.20	40x90	HU2W122M#BS15
		4.02	9.25	70	0.20	40x81	HU2W152M#BS13
		4.07	9.36	70	0.20	40x100	HU2W152M#BS17
		4.00	9.20	70	0.20	46x97	HU2W152M#HL97
5.33		12.26	50	0.20	46x100	HU2W222M#HS17	
500 VDC Code: 2H Surge Voltage 550 VDC	56	0.42	0.97	1710	0.20	22x25	HU2H560M#XS2
	68	0.45	1.04	1410	0.20	22x25	HU2H680M#XS2
		0.48	1.10	1410	0.20	22x30	HU2H680M#XS3
	82	0.55	1.27	1410	0.20	25x25	HU2H680M#YS2
		0.53	1.22	1170	0.20	22x30	HU2H820M#XS3
		0.54	1.24	1170	0.20	25x25	HU2H820M#YS2
	100	0.57	1.31	1170	0.20	25x30	HU2H820M#YS3
		0.59	1.36	960	0.20	22x30	HU2H101M#XS3
		0.62	1.43	960	0.20	22x35	HU2H101M#XS4
		0.65	1.50	960	0.20	22x40	HU2H101M#XS5
		0.61	1.40	960	0.20	25x25	HU2H101M#YS3
		0.64	1.47	960	0.20	25x30	HU2H101M#YS4
	120	0.63	1.45	960	0.20	30x25	HU2H101M#ZS3
		0.69	1.59	800	0.20	22x35	HU2H121M#XS4
		0.72	1.66	800	0.20	22x40	HU2H121M#XS5
		0.71	1.63	800	0.20	25x30	HU2H121M#YS3
		0.74	1.70	800	0.20	25x35	HU2H121M#YS4
	150	0.75	1.73	800	0.20	30x25	HU2H121M#ZS2
		0.82	1.89	640	0.20	22x40	HU2H151M#XS5
		0.85	1.96	640	0.20	22x45	HU2H151M#XS6
		0.84	1.93	640	0.20	25x35	HU2H151M#YS4
		0.88	2.02	640	0.20	25x40	HU2H151M#YS6
		0.85	1.96	640	0.20	30x25	HU2H151M#ZS2
		0.90	2.07	640	0.20	30x30	HU2H151M#ZS3
	180	0.94	2.16	640	0.20	35x25	HU2H151M#AS2
		0.97	2.23	540	0.20	22x50	HU2H181M#XS7
		0.98	2.25	540	0.20	25x40	HU2H181M#YS5
		1.01	2.32	540	0.20	25x45	HU2H181M#YS6
		0.99	2.28	540	0.20	30x30	HU2H181M#ZS3
		1.04	2.39	540	0.20	30x35	HU2H181M#ZS4
1.04		2.39	540	0.20	35x25	HU2H181M#AS2	
220	1.13	2.60	440	0.20	25x45	HU2H221M#YS6	
	1.17	2.69	440	0.20	25x50	HU2H221M#YS7	
	1.17	2.69	440	0.20	30x35	HU2H221M#ZS4	
	1.21	2.78	440	0.20	30x40	HU2H221M#ZS5	
	1.22	2.81	440	0.20	35x30	HU2H221M#AS3	

Additional designs on request · Weitere Designs auf Anfrage

Rated VoltageCode (Surge Voltage) V_r [V DC]	Capacitance C_r [μF]	Ripple Current at 105°C/120Hz I_r [A RMS]	Ripple Current at 40°C/120Hz [A RMS]	ESR (typ) at 20°C/100Hz [mΩ]	Dissipation Factor at 20°C/100Hz Tan δ	DxL [mm]	Product Code # = variable value, see fixing code in the product code	
500 VDC Code: 2H Surge Voltage 550 VDC	270	1.36	3.13	360	0.20	30x40	HU2H271M#ZS5	
		1.41	3.24	360	0.20	30x45	HU2H271M#ZS6	
		1.37	3.15	360	0.20	35x30	HU2H271M#AS3	
		1.44	3.31	360	0.20	35x35	HU2H271M#AS4	
	330	1.58	3.63	290	0.20	30x45	HU2H331M#ZS6	
		1.63	3.75	290	0.20	30x50	HU2H331M#ZS7	
		1.82	4.19	230	0.20	30x50	HU2H331M#ZS72P	
		1.61	3.70	290	0.20	35x35	HU2H331M#AS5	
		1.67	3.84	290	0.20	35x40	HU2H331M#AS5	
		1.79	4.12	250	0.20	30x50	HU2H391M#ZS7	
	390	1.84	4.23	250	0.20	35x40	HU2H391M#AS5	
		1.90	4.37	250	0.20	35x45	HU2H391M#AS6	
		2.10	4.83	210	0.20	30x60	HU2H471M#ZS9	
	470	2.12	4.88	210	0.20	35x45	HU2H471M#AS6	
		2.18	5.01	210	0.20	35x50	HU2H471M#AS7	
		2.53	5.82	180	0.20	35x60	HU2H561M#AS9	
	680	2.40	5.52	150	0.20	35x60	HU2H681M#AS9	
	820	2.53	5.82	125	0.20	35x75	HU2H821M#AS12	
	550 VDC Code: 2L Surge Voltage 600 VDC	82	0.59	1.18	2920	0.25	30x25	HU2L820M#ZS2
		120	0.77	1.54	1990	0.25	30x30	HU2L121M#ZS3
0.80			1.60	1990	0.25	35x25	HU2L121M#AS2	
150		0.91	1.82	1600	0.25	30x35	HU2L151M#ZS4	
		0.96	1.92	1600	0.25	35x30	HU2L151M#AS3	
180		1.05	2.10	1330	0.25	30x40	HU2L181M#ZS5	
		1.11	2.22	1330	0.25	35x35	HU2L181M#AS4	
220		1.26	2.52	1090	0.25	30x50	HU2L221M#ZS7	
		1.29	2.58	1090	0.25	35x40	HU2L221M#AS5	
270		1.50	3.00	890	0.25	35x45	HU2L271M#AS6	
330		1.73	3.46	730	0.25	35x50	HU2L331M#AS7	
390		2.00	4.00	620	0.25	35x60	HU2L391M#AS9	

Additional designs on request · Weitere Designs auf Anfrage

> Ripple Current Multiplier · Wechselstrommultiplikator

Frequency [Hz]	50/60	120	300	1k	≥ 10k
Multiplier	0.70	1.00	1.18	1.34	1.45

Temperature [°C]		40	45	50	55	60	65	70	75	80	85	90	95	100	105
Multiplier	200~500V	2.3	2.2	2.1	2.0	2.0	1.9	1.8	1.6	1.5	1.4	1.3	1.2	1.1	1.0
	550V	2.0	1.9	1.8	1.7	1.7	1.6	1.5	1.4	1.4	1.3	1.2	1.1	1.0	1.0

Forced cooling – Wind speed [m/sec]	v < 0.25	v ≥ 0.25	v ≥ 0.5	v ≥ 1.0	v ≥ 2.0	v ≥ 3.0
Multiplier	1.00	1.05	1.10	1.15	1.20	1.25

> Life Time Table · Brauchbarkeitsdauer – Tabelle

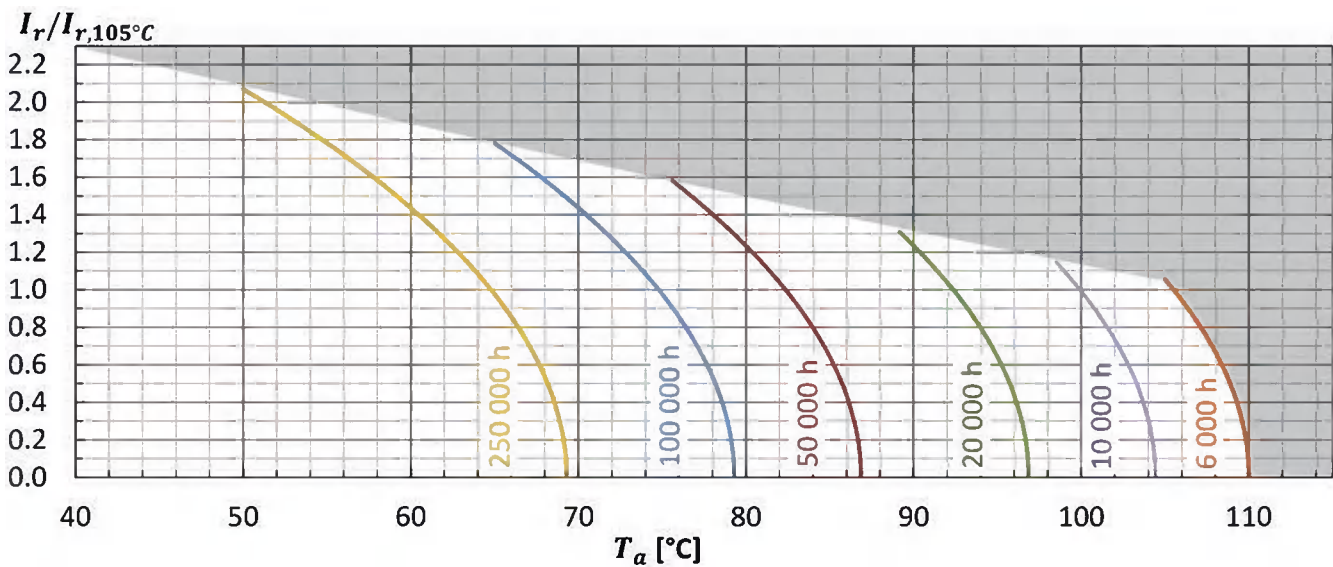
HU	Useful life as function of ambient temperature and ripple current													
	x 1.0	x 1.1	x 1.2	x 1.3	x 1.4	x 1.5	x 1.6	x 1.7	x 1.8	x 1.9	x 2.0	x 2.1	x 2.2	x 2.3
T _a = 40°C	250	250	250	250	250	250	250	250	250	250	250	250	250	250
T _a = 45°C	250	250	250	250	250	250	250	250	250	250	250	250	250	250
T _a = 50°C	250	250	250	250	250	250	250	250	250	250	250	238		
T _a = 55°C	250	250	250	250	250	250	250	250	243	209	178			
T _a = 60°C	250	250	250	250	250	231	203	177	154	132	113			
T _a = 65°C	245	225	204	184	165	146	128	112	97	84				
T _a = 70°C	155	142	129	116	104	92	81	71	62					
T _a = 75°C	98	90	81	73	66	58	51							
T _a = 80°C	62	56	51	46	41	37								
T _a = 85°C	39	36	32	29	26									
T _a = 90°C	24	22	20	19										
T _a = 95°C	15	14	13											
T _a = 100°C	9	9												
T _a = 105°C	6													

khrs Max. value limited to 250 000 hours.

> Life Time Graph · Brauchbarkeitsdauer – Diagramm

Useful life depending on ambient temperature T_a and ripple current operating conditions I_r versus rated ripple current at the upper category temperature I_{r, 105°C, 120Hz}

Brauchbarkeitsdauer in Abhängigkeit von Umgebungstemperatur T_a und Wechselstrombelastung I_r im Verhältnis zur max. Wechselstrombelastung bei oberer Kategorietemperatur I_{r, 105°C, 120Hz}



> Life Time Tests and Requirements · Anforderungen Brauchbarkeitsdauer

Life time test	Test procedure	Life time criteria
Endurance test	T _a = 105°C; V _r , I _r applied 4000 hours	ΔC/C ≤ 20% (of initial value) Tanδ ≤ 200% (of specified value) I _L ≤ specified value
Useful life	T _a = 105°C; V _r , I _r applied 6000 hours	ΔC/C ≤ 30% (of initial value) Tanδ < 300% (of specified value) I _L ≤ specified value

Reference Specification: JIS C 5101-4, JIS C 5102, IEC 60384-4

HL · Snap-In · 12000 h/105 °C

Compact Design · Long Life

> Specifications · Spezifikationen

Items	Characteristics
Temperature range	-40°C ~ + 105°C (200VDC - 250VDC) -25°C ~ + 105°C (315VDC - 500VDC)
Capacitance tolerance (at 20°C)	Standard +/- 20%, -10%/+30% on request
Surge voltage	Repetitive max. 30 sec per 6 Minutes
Leakage current max. I _L (20°C, 5 min)	0.02 • C • V _r [μA] or 3 mA, which is smaller.
Useful life	12 000 hours at 105°C
Field failure rate	0.5 FIT = 0.5 • 10 ⁻⁹ Failures/hour
Reference standards	IEC 60384-4, JIS C 5101-4, AEC-Q200 qualified
Vibration	0.75mm, 10...55Hz, 10g, 3x2h
Sleeve withstanding voltage	3000 Vac/1 min between terminals bundled and plate*
Product Compliance	RoHS, REACH, Conflict Minerals a.o. - refer to p. 12-13



* Typical value using sleeve which is free from any scratches and damages

> Outline Drawings · Bauformen

Refer to page 7 for available terminal shapes and dimensions. · Auf Seite 7 finden Sie die verfügbaren Bauformen und Maße.

> Product Code · Bestellbezeichnung

Example: Series HL · 500 V · 470 μF ± 20 % · 35x60 mm · 2-pin short · without plate

HL	2H	471	M	C	A	S9	WPEC
Type of series	Capacitance code The first two digits are significant. The last digit indicates the number of following zeros in μF.		Terminal symbol code R: 2-claw 6.3 mm S: 4-claw 6.3 mm C: 2-claw short 4.0 mm X: 4-claw short 4.0 mm E: 3-claw short 4.0 mm T: 2-lugs 4.5 mm			Outer design code None: PET sleeve and PVC plate WPEC: PET sleeve without plate Others on request	
Rated voltage code		Capacitance tolerance		Diameter code		Length code	
Code	Voltage	M : ± 20% Q : -10% ~ +30%		Code	ØD	Code	L
2D	200			X	22	S2	25
2E	250			Y	25	S3	30
2F	315			Z	30	S4	35
2G	400			A	35	S5	40
420V	420			B	40	S6	45
2W	450					S7	50
2H	500					S8	55
						S9	60
						S13	80
						S17	100

Rated VoltageCode (Surge Voltage) V_r [V DC]	Capacitance C_r [μ F]	Ripple Current at 105°C/120Hz I_r [A RMS]	Ripple Current at 40°C/120Hz [A RMS]	ESR (typ) at 20°C/100Hz [m Ω]	Dissipation Factor at 20°C/100Hz Tan δ	DxL [mm]	Product Code # = variable value, see fixing code in the product code
200 VDC Code: 2D Surge Voltage 250 VDC	330	1.09	2.51	330	0.15	22x25	HL2D331M#XS2
	470	1.37	3.15	240	0.15	22x30	HL2D471M#XS3
		1.36	3.13	240	0.15	25x25	HL2D471M#YS2
	560	1.57	3.61	200	0.15	22x35	HL2D561M#XS4
		1.57	3.61	200	0.15	25x30	HL2D561M#YS3
	680	1.81	4.16	160	0.15	22x40	HL2D681M#XS5
		1.75	4.03	160	0.15	30x25	HL2D681M#ZS2
	820	2.06	4.74	140	0.15	22x45	HL2D821M#XS6
		1.99	4.58	140	0.15	25x35	HL2D821M#YS4
	1000	2.37	5.45	110	0.15	25x45	HL2D102M#YS6
		2.24	5.15	110	0.15	30x30	HL2D102M#ZS3
		1.94	4.46	110	0.15	35x25	HL2D102M#AS2
	1200	2.67	6.14	100	0.15	25x50	HL2D122M#YS7
		2.56	5.89	100	0.15	30x35	HL2D122M#ZS4
		2.23	5.13	100	0.15	35x30	HL2D122M#AS3
	1500	3.08	7.08	80	0.15	30x45	HL2D152M#ZS6
		2.61	6.00	80	0.15	35x35	HL2D152M#AS4
	1800	3.49	8.03	70	0.15	30x50	HL2D182M#ZS7
2.97		6.83	70	0.15	35x40	HL2D182M#AS5	
2200	3.39	7.80	50	0.15	35x45	HL2D222M#AS6	
2700	3.86	8.88	50	0.15	35x50	HL2D272M#AS7	
250 VDC Code: 2E Surge Voltage 300 VDC	270	0.98	2.25	360	0.15	22x25	HL2E271M#XS2
	330	1.15	2.65	290	0.15	22x30	HL2E331M#XS3
		1.14	2.62	290	0.15	25x25	HL2E331M#YS2
	390	1.31	3.01	250	0.15	22x35	HL2E391M#XS4
	470	1.50	3.45	210	0.15	22x40	HL2E471M#XS5
		1.43	3.29	210	0.15	25x30	HL2E471M#YS3
	560	1.45	3.34	210	0.15	30x25	HL2E471M#ZS2
		1.70	3.91	180	0.15	22x45	HL2E561M#XS6
	680	1.64	3.77	180	0.15	25x35	HL2E561M#YS4
		1.94	4.46	150	0.15	22x50	HL2E681M#XS7
		1.88	4.32	150	0.15	25x40	HL2E681M#YS5
	820	1.85	4.26	150	0.15	30x30	HL2E681M#ZS3
		1.60	3.68	150	0.15	35x25	HL2E681M#AS2
		2.14	4.92	120	0.15	25x45	HL2E821M#YS6
	1000	2.12	4.88	120	0.15	30x35	HL2E821M#ZS4
		1.84	4.23	120	0.15	35x30	HL2E821M#AS3
		2.44	5.61	100	0.15	30x40	HL2E102M#ZS5
	1200	2.76	6.35	80	0.15	30x45	HL2E122M#ZS6
2.33		5.36	80	0.15	35x35	HL2E122M#AS4	
1500	2.80	6.44	70	0.15	35x45	HL2E152M#AS6	
1800	3.16	7.27	60	0.15	35x50	HL2E182M#AS7	
315 VDC Code: 2F Surge Voltage 365 VDC	150	0.86	1.98	850	0.20	22x25	HL2F151M#XS2
	220	1.10	2.53	580	0.20	22x30	HL2F221M#XS3
		1.10	2.53	580	0.20	25x25	HL2F221M#YS2

Additional designs on request · Weitere Designs auf Anfrage

Rated VoltageCode (Surge Voltage) V_r [V DC]	Capacitance C_r [μF]	Ripple Current at 105°C/120Hz I_r [A RMS]	Ripple Current at 40°C/120Hz [A RMS]	ESR (typ) at 20°C/100Hz [mΩ]	Dissipation Factor at 20°C/100Hz Tan δ	DxL [mm]	Product Code # = variable value, see fixing code in the product code
315 VDC Code: 2F Surge Voltage 365 VDC	270	1.24	2.85	480	0.20	22x35	HL2F271M#XS4
		1.25	2.88	480	0.20	25x30	HL2F271M#YS3
	330	1.40	3.22	390	0.20	22x40	HL2F331M#XS5
		1.44	3.31	390	0.20	25x35	HL2F331M#YS4
		1.43	3.29	390	0.20	30x25	HL2F331M#ZS2
	390	1.56	3.59	330	0.20	22x45	HL2F391M#XS6
		1.60	3.68	330	0.20	25x40	HL2F391M#YS5
		1.56	3.59	330	0.20	30x30	HL2F391M#ZS3
	470	1.79	4.12	280	0.20	25x45	HL2F471M#YS6
		1.48	3.40	280	0.20	35x25	HL2F471M#AS2
	560	1.99	4.58	230	0.20	25x50	HL2F561M#YS7
		1.93	4.44	230	0.20	30x35	HL2F561M#ZS4
		1.70	3.91	230	0.20	35x30	HL2F561M#AS3
	680	2.19	5.04	190	0.20	30x40	HL2F681M#ZS5
		1.96	4.51	190	0.20	35x35	HL2F681M#AS4
	820	2.51	5.77	160	0.20	30x50	HL2F821M#ZS7
		2.23	5.13	160	0.20	35x40	HL2F821M#AS5
	1000	2.55	5.87	130	0.20	35x45	HL2F102M#AS6
	1200	2.87	6.60	110	0.20	35x50	HL2F122M#AS7
	400 VDC Code: 2G Surge Voltage 450 VDC	120	0.77	1.77	800	0.20	22x25
150		0.87	2.00	640	0.20	22x25	HL2G151M#XS2
		0.92	2.12	640	0.20	22x30	HL2G151M#XS3
180		0.90	2.07	640	0.20	25x25	HL2G151M#YS2
		1.01	2.32	540	0.20	22x30	HL2G181M#XS3
		1.05	2.42	540	0.20	22x35	HL2G181M#XS4
		0.99	2.28	540	0.20	25x25	HL2G181M#YS2
		1.05	2.42	540	0.20	25x30	HL2G181M#YS3
220		1.17	2.69	440	0.20	22x35	HL2G221M#XS4
		1.22	2.81	440	0.20	22x40	HL2G221M#XS5
		1.16	2.67	440	0.20	25x30	HL2G221M#YS3
		1.21	2.78	440	0.20	25x35	HL2G221M#YS4
		1.17	2.69	440	0.20	30x25	HL2G221M#ZS2
270		1.35	3.11	360	0.20	22x40	HL2G271M#XS5
		1.40	3.22	360	0.20	22x45	HL2G271M#XS6
		1.35	3.11	360	0.20	25x35	HL2G271M#YS4
		1.40	3.22	360	0.20	25x40	HL2G271M#YS5
		1.28	2.94	360	0.20	30x25	HL2G271M#ZS2
330		1.54	3.54	290	0.20	22x45	HL2G331M#XS6
		1.59	3.66	290	0.20	22x50	HL2G331M#XS7
		1.55	3.57	290	0.20	25x40	HL2G331M#YS5
		1.61	3.70	290	0.20	25x45	HL2G331M#YS6
		1.49	3.43	290	0.20	30x30	HL2G331M#ZS3
		1.52	3.50	290	0.20	35x25	HL2G331M#AS2
390		1.74	4.00	250	0.20	25x45	HL2G391M#YS6
		1.80	4.14	250	0.20	25x50	HL2G391M#YS7

Additional designs on request · Weitere Designs auf Anfrage

Rated VoltageCode (Surge Voltage) V_r [V DC]	Capacitance C_r [μ F]	Ripple Current at 105°C/120Hz I_r [A RMS]	Ripple Current at 40°C/120Hz [A RMS]	ESR (typ) at 20°C/100Hz [m Ω]	Dissipation Factor at 20°C/100Hz Tan δ	DxL [mm]	Product Code # = variable value, see fixing code in the product code
400 VDC Code: 2G Surge Voltage 450 VDC	390	1.62	3.73	250	0.20	30x30	HL2G391M#ZS3
		1.70	3.91	250	0.20	30x35	HL2G391M#ZS4
		1.59	3.66	250	0.20	35x25	HL2G391M#AS2
		1.68	3.86	250	0.20	35x30	HL2G391M#AS3
	470	1.98	4.55	210	0.20	25x50	HL2G471M#YS7
		1.86	4.28	210	0.20	30x35	HL2G471M#ZS4
		1.94	4.46	210	0.20	30x40	HL2G471M#ZS5
		1.84	4.23	210	0.20	35x30	HL2G471M#AS3
	560	1.92	4.42	210	0.20	35x35	HL2G471M#AS4
		2.11	4.85	180	0.20	30x40	HL2G561M#ZS5
		2.19	5.04	180	0.20	30x45	HL2G561M#ZS6
		2.09	4.81	180	0.20	35x35	HL2G561M#AS4
	680	2.18	5.01	180	0.20	35x40	HL2G561M#AS5
		2.48	5.70	150	0.20	30x50	HL2G681M#ZS7
		2.40	5.52	150	0.20	35x40	HL2G681M#AS5
	820	2.48	5.70	150	0.20	35x45	HL2G681M#AS6
		2.72	6.26	120	0.20	35x45	HL2G821M#AS6
		2.80	6.44	120	0.20	35x50	HL2G821M#AS7
	1 000	3.09	7.11	120	0.20	35x50	HL2G102M#AS7
	420 VDC Code: 420V Surge Voltage 470 VDC	100	0.71	1.63	1020	0.20	22x25
120		0.77	1.77	850	0.20	22x25	HL420V121M#XS2
		0.82	1.89	850	0.20	22x30	HL420V121M#XS3
150		0.81	1.86	850	0.20	25x25	HL420V121M#YS2
		0.92	2.12	680	0.20	22x30	HL420V151M#XS3
		0.96	2.21	680	0.20	22x35	HL420V151M#XS4
		0.90	2.07	680	0.20	25x25	HL420V151M#YS2
180		1.05	2.42	570	0.20	22x35	HL420V181M#XS4
		1.10	2.53	570	0.20	22x40	HL420V181M#XS5
		0.99	2.28	570	0.20	25x25	HL420V181M#YS2
		1.05	2.42	570	0.20	25x30	HL420V181M#YS3
220		1.06	2.44	570	0.20	30x25	HL420V181M#ZS2
		1.22	2.81	470	0.20	22x40	HL420V221M#XS5
		1.26	2.90	470	0.20	22x45	HL420V221M#XS6
		1.16	2.67	470	0.20	25x30	HL420V221M#YS3
		1.21	2.78	470	0.20	25x35	HL420V221M#YS4
		1.15	2.65	470	0.20	30x25	HL420V221M#ZS2
270		1.40	3.22	380	0.20	22x45	HL420V271M#XS6
		1.44	3.31	380	0.20	22x50	HL420V271M#XS7
		1.35	3.11	380	0.20	25x35	HL420V271M#YS4
	1.40	3.22	380	0.20	25x40	HL420V271M#YS5	
	1.28	2.94	380	0.20	30x25	HL420V271M#ZS2	
	1.35	3.11	380	0.20	30x30	HL420V271M#ZS3	
330	1.38	3.17	380	0.20	35x25	HL420V271M#AS2	
	1.59	3.66	310	0.20	22x50	HL420V331M#XS7	
	1.55	3.57	310	0.20	25x40	HL420V331M#YS5	

Additional designs on request · Weitere Designs auf Anfrage

Rated VoltageCode (Surge Voltage) V_r [V DC]	Capacitance C_r [μ F]	Ripple Current at 105°C/120Hz I_r [A RMS]	Ripple Current at 40°C/120Hz [A RMS]	ESR (typ) at 20°C/100Hz [m Ω]	Dissipation Factor at 20°C/100Hz Tan δ	DxL [mm]	Product Code # = variable value, see fixing code in the product code	
420 VDC Code: 420V Surge Voltage 470 VDC	330	1.61	3.70	310	0.20	25x45	HL420V331M#YS6	
		1.66	3.82	310	0.20	25x50	HL420V331M#YS7	
		1.49	3.43	310	0.20	30x30	HL420V331M#ZS3	
		1.56	3.59	310	0.20	30x35	HL420V331M#ZS4	
		1.46	3.36	310	0.20	35x25	HL420V331M#AS2	
	390	1.74	4.00	270	0.20	25x45	HL420V391M#YS6	
		1.80	4.14	270	0.20	25x50	HL420V391M#YS7	
		1.70	3.91	270	0.20	30x35	HL420V391M#ZS4	
		1.76	4.05	270	0.20	30x40	HL420V391M#ZS5	
		1.67	3.84	270	0.20	35x30	HL420V391M#AS3	
	470	1.98	4.55	220	0.20	25x50	HL420V471M#YS7	
		1.94	4.46	220	0.20	30x40	HL420V471M#ZS5	
		2.00	4.60	220	0.20	30x45	HL420V471M#ZS6	
		1.84	4.23	220	0.20	35x30	HL420V471M#AS4	
		1.92	4.42	220	0.20	35x35	HL420V471M#AS4	
	560	2.19	5.04	190	0.20	30x45	HL420V561M#ZS6	
		2.25	5.18	190	0.20	30x50	HL420V561M#ZS7	
		2.09	4.81	190	0.20	35x35	HL420V561M#AS4	
		2.18	5.01	190	0.20	35x40	HL420V561M#AS5	
	680	2.48	5.70	150	0.20	30x50	HL420V681M#ZS7	
		2.40	5.52	150	0.20	35x40	HL420V681M#AS5	
		2.48	5.70	150	0.20	35x45	HL420V681M#AS6	
	820	2.55	5.87	150	0.20	35x50	HL420V681M#AS7	
		820	2.72	6.26	130	0.20	35x45	HL420V821M#AS6
	450 VDC Code: 2W Surge Voltage 500 VDC	82	0.64	1.47	1250	0.20	22x25	HL2W820M#XS2
		100	0.71	1.63	1020	0.20	22x25	HL2W101M#XS2
		120	0.82	1.89	850	0.20	22x30	HL2W121M#XS3
			0.81	1.86	850	0.20	25x25	HL2W121M#YS2
150		0.92	2.12	680	0.20	22x30	HL2W151M#XS3	
		0.96	2.21	680	0.20	22x35	HL2W151M#XS4	
		0.90	2.07	680	0.20	25x25	HL2W151M#Y23	
		0.96	2.21	680	0.20	25x30	HL2W151M#YS3	
180		1.05	2.42	570	0.20	22x35	HL2W181M#XS4	
		1.10	2.53	570	0.20	22x40	HL2W181M#XS5	
		1.05	2.42	570	0.20	25x30	HL2W181M#YS3	
		1.10	2.53	570	0.20	25x35	HL2W181M#YS4	
		1.06	2.44	570	0.20	30x25	HL2W181M#ZS2	
220		1.22	2.81	470	0.20	22x40	HL2W221M#XS5	
		1.26	2.90	470	0.20	22x45	HL2W221M#XS6	
		1.30	2.99	470	0.20	22x50	HL2W221M#XS7	
		1.21	2.78	470	0.20	25x35	HL2W221M#YS4	
		1.27	2.92	470	0.20	25x40	HL2W221M#YS5	
		1.15	2.65	470	0.20	30x25	HL2W221M#ZS2	
		1.22	2.81	470	0.20	30x30	HL2W221M#ZS3	
	1.24	2.85	470	0.20	35x25	HL2W221M#AS2		

Additional designs on request · Weitere Designs auf Anfrage

Rated VoltageCode (Surge Voltage) V_r [V DC]	Capacitance C_r [μ F]	Ripple Current at 105°C/120Hz I_r [A RMS]	Ripple Current at 40°C/120Hz [A RMS]	ESR (typ) at 20°C/100Hz [m Ω]	Dissipation Factor at 20°C/100Hz Tan δ	DxL [mm]	Product Code # = variable value, see fixing code in the product code	
450 VDC Code: 2W Surge Voltage 500 VDC	270	1.44	3.31	380	0.20	22x50	HL2W271M#XS7	
		1.40	3.22	380	0.20	25x40	HL2W271M#YS5	
		1.45	3.34	380	0.20	25x45	HL2W271M#YS6	
		1.35	3.11	380	0.20	30x30	HL2W271M#ZS3	
		1.41	3.24	380	0.20	30x35	HL2W271M#ZS4	
		1.32	3.04	380	0.20	35x25	HL2W271M#AS2	
	330	1.61	3.70	310	0.20	25x45	HL2W331M#YS6	
		1.66	3.82	310	0.20	25x50	HL2W331M#YS7	
		1.56	3.59	310	0.20	30x35	HL2W331M#ZS4	
		1.62	3.73	310	0.20	30x40	HL2W331M#ZS5	
		1.54	3.54	310	0.20	35x30	HL2W331M#AS3	
	390	1.76	4.05	270	0.20	30x40	HL2W391M#ZS5	
		1.82	4.19	270	0.20	30x45	HL2W391M#ZS6	
		1.67	3.84	270	0.20	35x30	HL2W391M#AS3	
		1.75	4.03	270	0.20	35x35	HL2W391M#AS4	
	470	2.00	4.60	220	0.20	30x45	HL2W471M#ZS6	
		2.07	4.76	220	0.20	30x50	HL2W471M#ZS7	
		1.92	4.42	220	0.20	35x35	HL2W471M#AS4	
		1.99	4.58	220	0.20	35x40	HL2W471M#AS5	
	560	2.25	5.18	190	0.20	30x50	HL2W561M#ZS7	
		2.18	5.01	190	0.20	35x40	HL2W561M#AS5	
		2.25	5.18	190	0.20	35x45	HL2W561M#AS6	
	680	2.48	5.70	150	0.20	35x45	HL2W681M#AS6	
		2.55	5.87	150	0.20	35x50	HL2W681M#AS7	
	1 200	3.86	8.88	85	0.20	35x100	HL2W122M#AS17	
	500 VDC Code: 2H Surge Voltage 550 VDC	47	0.37	0.85	2040	0.20	22x25	HL2H470M#XS2
		56	0.40	0.92	1710	0.20	22x25	HL2H560M#XS2
		68	0.45	1.04	1410	0.20	22x25	HL2H680M#XS2
0.48			1.10	1410	0.20	22x30	HL2H680M#XS3	
0.49			1.13	1410	0.20	25x25	HL2H680M#YS2	
82		0.54	1.24	1170	0.20	22x30	HL2H820M#XS3	
		0.56	1.29	1170	0.20	22x35	HL2H820M#XS4	
		0.55	1.27	1170	0.20	25x25	HL2H820M#YS2	
		0.57	1.31	1170	0.20	25x30	HL2H820M#YS3	
100		0.62	1.43	960	0.20	22x35	HL2H101M#XS4	
		0.65	1.50	960	0.20	22x40	HL2H101M#XS5	
		0.64	1.47	960	0.20	25x30	HL2H101M#YS3	
		0.67	1.54	960	0.20	25x35	HL2H101M#YS4	
		0.68	1.56	960	0.20	30x25	HL2H101M#ZS2	
120		0.72	1.66	800	0.20	22x40	HL2H121M#XS5	
		0.75	1.73	800	0.20	22x45	HL2H121M#XS6	
		0.74	1.70	800	0.20	25x35	HL2H121M#YS4	
		0.77	1.77	800	0.20	25x40	HL2H121M#YS5	
		0.75	1.73	800	0.20	30x25	HL2H121M#ZS2	
		0.79	1.82	800	0.20	30x30	HL2H121M#ZS3	

Additional designs on request · Weitere Designs auf Anfrage

Rated VoltageCode (Surge Voltage) V_r [V DC]	Capacitance C_r [μ F]	Ripple Current at 105°C/120Hz I_r [A RMS]	Ripple Current at 40°C/120Hz [A RMS]	ESR (typ) at 20°C/100Hz [m Ω]	Dissipation Factor at 20°C/100Hz Tan δ	DxL [mm]	Product Code # = variable value, see fixing code in the product code
500 VDC Code: 2H Surge Voltage 550 VDC	150	0.85	1.96	640	0.20	22x45	HL2H151M#XS6
		0.88	2.02	640	0.20	25x40	HL2H151M#YS5
		0.91	2.09	640	0.20	25x45	HL2H151M#YS6
		0.90	2.07	640	0.20	30x30	HL2H151M#ZS3
		0.94	2.16	640	0.20	30x35	HL2H151M#ZS4
		0.94	2.16	640	0.20	35x25	HL2H151M#AS2
	180	1.01	2.32	540	0.20	25x45	HL2H181M#YS6
		1.04	2.39	540	0.20	25x50	HL2H181M#YS7
		1.04	2.39	540	0.20	30x35	HL2H181M#ZS4
		1.08	2.48	540	0.20	30x40	HL2H181M#ZS5
		1.04	2.39	540	0.20	35x25	HL2H181M#AS2
		1.09	2.51	540	0.20	35x30	HL2H181M#AS3
	220	1.17	2.69	440	0.20	25x50	HL2H221M#YS7
		1.21	2.78	440	0.20	30x40	HL2H221M#ZS5
		1.26	2.90	440	0.20	30x45	HL2H221M#ZS6
		1.22	2.81	440	0.20	35x30	HL2H221M#AS3
		1.28	2.94	440	0.20	35x35	HL2H221M#AS4
	270	1.41	3.24	360	0.20	30x45	HL2H271M#ZS6
		1.45	3.34	360	0.20	30x50	HL2H271M#ZS7
		1.44	3.31	360	0.20	35x35	HL2H271M#AS4
		1.49	3.43	360	0.20	35x40	HL2H271M#AS5
	330	1.63	3.75	290	0.20	30x50	HL2H331M#ZS7
		1.67	3.84	290	0.20	35x40	HL2H331M#AS5
		1.73	3.98	290	0.20	35x45	HL2H331M#AS6
	390	1.89	4.35	250	0.20	30x60	HL2H391M#ZS9
		1.90	4.37	250	0.20	35x45	HL2H391M#AS6
		1.96	4.51	250	0.20	35x50	HL2H391M#AS7
	470	2.18	5.01	210	0.20	35x50	HL2H471M#AS7
	560	2.53	5.82	180	0.20	35x60	HL2H561M#AS9
	700	3.55	8.17	140	0.20	35x80	HL2H701M#AS13
	800	3.33	7.66	125	0.20	35x80	HL2H801M#AS13
	1 000	4.07	9.36	100	0.20	40x100	HL2H102M#BS17

Additional designs on request · Weitere Designs auf Anfrage

> Ripple Current Multiplier · Wechselstrommultiplikator

Frequency [Hz]	50/60	120	300	1k	≥ 10k
Multiplier	0.70	1.00	1.18	1.34	1.45

Temperature [°C]	40	45	50	55	60	65	70	75	80	85	90	95	100	105
Multiplier	2.3	2.2	2.1	2.0	2.0	1.9	1.8	1.6	1.5	1.4	1.3	1.2	1.1	1.0

Forced cooling – Wind speed [m/sec]	v < 0.25	v ≥ 0.25	v ≥ 0.5	v ≥ 1.0	v ≥ 2.0	v ≥ 3.0
Multiplier	1.00	1.05	1.10	1.15	1.20	1.25

> Life Time Table · Brauchbarkeitsdauer – Tabelle

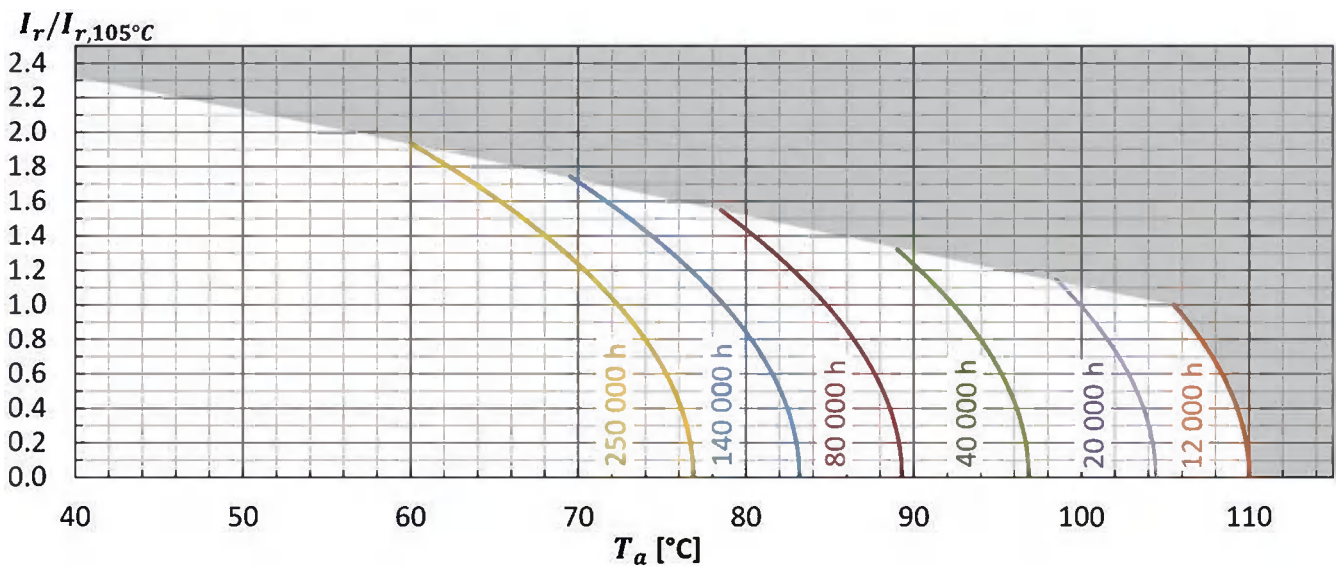
HL	Useful life as function of ambient temperature and ripple current													
I_r at 105°C	x 1.0	x 1.1	x 1.2	x 1.3	x 1.4	x 1.5	x 1.6	x 1.7	x 1.8	x 1.9	x 2.0	x 2.1	x 2.2	x 2.3
$T_a = 40^\circ\text{C}$	250	250	250	250	250	250	250	250	250	250	250	250	250	250
$T_a = 50^\circ\text{C}$	250	250	250	250	250	250	250	250	250	250	250	250	250	250
$T_a = 60^\circ\text{C}$	250	250	250	250	250	250	250	250	250	250	225			
$T_a = 65^\circ\text{C}$	250	250	250	250	250	250	250	225	194	167				
$T_a = 70^\circ\text{C}$	250	250	250	233	208	185	163	142	123					
$T_a = 75^\circ\text{C}$	196	180	163	147	132	117	103							
$T_a = 80^\circ\text{C}$	124	113	103	93	83	74								
$T_a = 85^\circ\text{C}$	78	72	65	59	52									
$T_a = 90^\circ\text{C}$	49	45	41	37										
$T_a = 95^\circ\text{C}$	31	28	26											
$T_a = 100^\circ\text{C}$	19	18												
$T_a = 105^\circ\text{C}$	12													

khrs Max. value limited to 250 000 hours.

> Life Time Graph · Brauchbarkeitsdauer – Diagramm

Useful life depending on ambient temperature T_a and ripple current operating conditions I_r versus rated ripple current at the upper category temperature $I_{r, 105^\circ\text{C}, 120\text{Hz}}$

Brauchbarkeitsdauer in Abhängigkeit von Umgebungstemperatur T_a und Wechselstrombelastung I_r im Verhältnis zur max. Wechselstrombelastung bei oberer Kategorie-temperatur $I_{r, 105^\circ\text{C}, 120\text{Hz}}$



> Life Time Tests and Requirements · Anforderungen Brauchbarkeitsdauer

Life time test	Test procedure	Life time criteria
Endurance test	$T_a = 105^\circ\text{C}$; V_r, I_r applied 8000 hours	$\Delta C/C \leq 20\%$ (of initial value) $\text{Tan} \delta \leq 200\%$ (of specified value) $I_L \leq$ specified value
Useful life	$T_a = 105^\circ\text{C}$; V_r, I_r applied 12000 hours	$\Delta C/C \leq 30\%$ (of initial value) $\text{Tan} \delta < 300\%$ (of specified value) $I_L \leq$ specified value

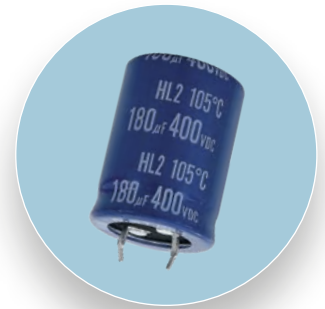
Reference Specification: JIS C 5101-4, JIS C 5102, IEC 60384-4

HL2 · Snap-In · 12000 h/105 °C

Long Life

> Specifications · Spezifikationen

Items	Characteristics
Temperature range	-40°C ~ + 105°C
Capacitance tolerance (at 20°C)	Standard +/- 20%, -10%/+30% on request
Surge voltage	Repetitive max. 30 sec per 6 Minutes
Leakage current max. I_L (20°C, 5 min)	0.02 • C • V_r [μ A] or 3 mA, which is smaller.
Useful life	12 000 hours at 105°C
Field failure rate	0.5 FIT = 0.5 • 10 ⁻⁹ Failures/hour
Reference standards	IEC 60384-4, JIS C 5101-4, AEC-Q200 qualified
Vibration	0.75mm, 10...55Hz, 10g, 3x2h
Sleeve withstanding voltage	3000 Vac/1 min between terminals bundled and plate*
Product Compliance	RoHS, REACH, Conflict Minerals a.o. - refer to p. 12–13



* Typical value using sleeve which is free from any scratches and damages

> Outline Drawings · Bauformen

Refer to page 7 for available terminal shapes and dimensions. · Auf Seite 7 finden Sie die verfügbaren Bauformen und Maße.

> Product Code · Bestellbezeichnung

Example: Series HL2 · 400 V · 470 μ F \pm 20 % · 30x50 mm · 4-pin short · without plate

HL2

2G

471

M

X

Z

S7

WPEC

Type of series

Capacitance code

The first two digits are significant.
The last digit indicates the number of following zeros in μ F.

Terminal symbol code

R: 2-claw 6.3 mm

S: 4-claw 6.3 mm

C: 2-claw short 4.0 mm

X: 4-claw short 4.0 mm

E: 3-claw short 4.0 mm

T: 2-lugs 4.5 mm

Outer design code

None:
PET sleeve and PVC plate

WPEC:
PET sleeve without plate

Others on request

Rated voltage Code

Code	Voltage
2D	200
2E	250
2G	400
420V	420
2W	450
2H	500

Capacitance tolerance

M : \pm 20%

Q : -10% ~ +30%

Diameter Code

Code	\varnothing D
W	20
X	22
Y	25
Z	30
A	35
B	40

Length Code

Code	L	Code	L
S1	20	S8	55
S2	25	S9	60
S3	30	S10	65
S4	35	S11	70
S5	40	S12	75
S6	45	S13	80
S7	50		

Rated VoltageCode (Surge Voltage) V_r [V DC]	Capacitance C_r [μ F]	Ripple Current at 105°C/120Hz I_r [A RMS]	Ripple Current at 40°C/120Hz [A RMS]	ESR (typ) at 20°C/100Hz [m Ω]	Dissipation Factor at 20°C/100Hz Tan δ	DxL [mm]	Product Code # = variable value, see fixing code in the product code
200 VDC Code: 2D Surge Voltage 250 VDC	220	0.97	2.72	456	0.15	20x25	HL22D221M#WS2
	270	1.16	3.25	372	0.15	20x30	HL22D271M#WS3
	330	1.35	3.78	304	0.15	20x35	HL22D331M#WS4
		1.31	3.67	304	0.15	22x30	HL22D331M#XS3
	390	1.25	3.50	304	0.15	25x25	HL22D331M#YS2
		1.45	4.06	257	0.15	25x30	HL22D391M#YS3
	470	1.74	4.87	214	0.15	22x40	HL22D471M#XS5
		1.60	4.48	214	0.15	25x30	HL22D471M#YS3
		1.56	4.37	214	0.15	30x25	HL22D471M#ZS2
	560	1.99	5.57	179	0.15	22x45	HL22D561M#XS6
		1.84	5.15	179	0.15	25x35	HL22D561M#YS4
	680	2.12	5.94	148	0.15	25x40	HL22D681M#YS5
		1.99	5.57	148	0.15	30x30	HL22D681M#ZS3
	820	2.44	6.83	122	0.15	25x45	HL22D821M#YS6
		2.31	6.47	122	0.15	30x35	HL22D821M#ZS4
	1 000	2.67	7.48	100	0.15	30x40	HL22D102M#ZS5
2.26		6.33	100	0.15	35x30	HL22D102M#AS3	
1 200	3.06	8.57	84	0.15	30x45	HL22D122M#ZS6	
	2.60	7.28	84	0.15	35x35	HL22D122M#AS4	
1 500	3.04	8.51	67	0.15	35x40	HL22D152M#AS5	
250 VDC Code: 2E Surge Voltage 300 VDC	150	0.8	2.24	496	0.15	20x25	HL22E151M#WS2
	180	0.94	2.63	413	0.15	20x30	HL22E181M#WS3
		0.9	2.52	413	0.15	22x25	HL22E181M#XS2
	220	1.03	2.88	338	0.15	20x30	HL22E221M#WS3
	270	1.22	3.42	275	0.15	20x35	HL22E271M#WS4
		1.13	3.16	275	0.15	25x25	HL22E271M#YS2
	330	1.39	3.89	225	0.15	22x35	HL22E331M#XS4
		1.33	3.72	225	0.15	25x30	HL22E331M#YS3
	390	1.58	4.42	191	0.15	22x40	HL22E391M#XS5
		1.53	4.28	191	0.15	25x35	HL22E391M#YS4
		1.43	4.00	191	0.15	30x25	HL22E391M#ZS2
	470	1.90	5.32	162	0.15	22x50	HL22E471M#XS7
		1.77	4.96	162	0.15	25x40	HL22E471M#YS5
		1.66	4.65	162	0.15	30x30	HL22E471M#ZS3
	560	2.02	5.66	136	0.15	25x45	HL22E561M#YS6
	680	2.32	6.50	112	0.15	25x50	HL22E681M#YS7
2.10		5.88	112	0.15	30x35	HL22E681M#ZS4	
820	2.42	6.78	93	0.15	30x40	HL22E821M#ZS5	
1 000	2.90	8.12	76	0.15	30x50	HL22E102M#ZS7	
1 200	2.83	7.92	64	0.15	35x45	HL22E122M#AS6	
1 500	3.29	9.21	61	0.15	35x50	HL22E152M#AS7	

Additional designs on request · Weitere Designs auf Anfrage

Rated VoltageCode (Surge Voltage) V_r [V DC]	Capacitance C_r [μ F]	Ripple Current at 105°C/120Hz I_r [A RMS]	Ripple Current at 40°C/120Hz [A RMS]	ESR (typ) at 20°C/100Hz [m Ω]	Dissipation Factor at 20°C/100Hz Tan δ	DxL [mm]	Product Code # = variable value, see fixing code in the product code	
400 VDC Code: 2G Surge Voltage 450 VDC	47	0.46	1.29	1625	0.15	20x25	HL22G470M#WS2	
	68	0.56	1.57	1121	0.15	20x25	HL22G680M#WS2	
	82	0.64	1.79	1126	0.15	20x25	HL22G820M#WS2	
	100		0.77	2.16	781	0.15	20x35	HL22G101M#WS4
			0.75	2.10	781	0.15	22x30	HL22G101M#XS3
			0.72	2.02	781	0.15	25x25	HL22G101M#YS2
	120		0.85	2.38	651	0.15	20x35	HL22G121M#WS4
			0.87	2.44	651	0.15	22x35	HL22G121M#XS4
			0.84	2.35	651	0.15	25x30	HL22G121M#YS3
	150		1.02	2.86	521	0.15	22x40	HL22G151M#XS5
			0.94	2.63	521	0.15	25x30	HL22G151M#YS3
			0.88	2.46	521	0.15	30x25	HL22G151M#ZS2
	180		1.18	3.30	475	0.15	22x45	HL22G181M#XS6
			1.09	3.05	475	0.15	25x35	HL22G181M#YS4
			1.02	2.86	475	0.15	30x30	HL22G181M#ZS3
	220		1.35	3.78	389	0.15	22x50	HL22G221M#XS7
			1.26	3.53	389	0.15	25x40	HL22G221M#YS5
			1.13	3.16	389	0.15	30x30	HL22G221M#ZS3
	270		1.46	4.09	317	0.15	25x45	HL22G271M#YS6
			1.33	3.72	317	0.15	30x35	HL22G271M#ZS4
			1.33	3.72	317	0.15	35x30	HL22G271M#AS3
	330		1.67	4.68	259	0.15	25x50	HL22G331M#YS7
			1.54	4.31	259	0.15	30x40	HL22G331M#ZS5
			1.54	4.31	259	0.15	35x35	HL22G331M#AS4
	390		1.75	4.90	219	0.15	30x45	HL22G391M#ZS6
			1.67	4.68	219	0.15	35x35	HL22G391M#AS4
			2.16	6.04	219	0.15	40x31	HL22G391M#BS3
	470		2.00	5.61	182	0.15	30x50	HL22G471M#ZS7
			1.92	5.38	182	0.15	35x40	HL22G471M#AS5
	560		2.19	6.13	156	0.15	35x45	HL22G561M#AS6
	680		2.51	7.02	126	0.15	35x50	HL22G681M#AS7
			2.75	7.70	124	0.15	35x50	HL22G681M#AS72P
2.44			6.84	130	0.15	40x40	HL22G681M#BS5	
820		2.98	8.35	105	0.15	35x70	HL22G821M#AS11	
1 000		3.48	9.73	86	0.15	35x80	HL22G102M#AS13	
420 VDC Code: 420V Surge Voltage 470 VDC	150	0.94	2.63	570	0.15	30x30	HL2420V151M#ZS3	
	180	1.08	3.02	475	0.15	30x35	HL2420V181M#ZS4	
		1.08	3.02	475	0.15	35x30	HL2420V181M#AS3	
	220	1.36	3.82	389	0.15	25x50	HL2420V221M#YS7	
		1.20	3.36	389	0.15	30x35	HL2420V221M#ZS4	
		1.20	3.36	389	0.15	35x30	HL2420V221M#AS3	
	330	1.54	4.31	259	0.15	30x40	HL2420V331M#ZS5	

Additional designs on request · Weitere Designs auf Anfrage

Rated VoltageCode (Surge Voltage) V_r [V DC]	Capacitance C_r [μ F]	Ripple Current at 105°C/120Hz I_r [A RMS]	Ripple Current at 40°C/120Hz [A RMS]	ESR (typ) at 20°C/100Hz [m Ω]	Dissipation Factor at 20°C/100Hz Tan δ	DxL [mm]	Product Code # = variable value, see fixing code in the product code
450 VDC Code: 2W Surge Voltage 500 VDC	47	0.46	1.29	1820	0.15	20x25	HL22W470M#WS2
	56	0.55	1.54	1527	0.15	20x30	HL22W560M#WS3
		0.53	1.48	1527	0.15	22x25	HL22W560M#XS2
	68	0.60	1.68	1258	0.15	20x30	HL22W680M#WS3
		0.62	1.74	1258	0.15	22x30	HL22W680M#XS3
		0.59	1.65	1258	0.15	25x25	HL22W680M#YS2
	82	0.70	1.96	1043	0.15	20x35	HL22W820M#WS4
	100	0.79	2.21	855	0.15	22x35	HL22W101M#XS4
		0.72	2.00	855	0.15	25x25	HL22W101M#YS2
	120	0.91	2.55	713	0.15	22x40	HL22W121M#XS5
		0.88	2.46	713	0.15	25x35	HL22W121M#YS4
		0.79	2.21	713	0.15	30x25	HL22W121M#ZS2
	150	1.12	3.14	570	0.15	22x50	HL22W151M#XS7
		1.04	2.91	570	0.15	25x40	HL22W151M#YS5
		0.94	2.63	570	0.15	30x30	HL22W151M#ZS3
	180	1.19	3.33	475	0.15	25x45	HL22W181M#YS6
		1.08	3.02	475	0.15	30x35	HL22W181M#ZS4
	220	1.40	3.92	389	0.15	25x40	HL22W221M#YS5
		1.20	3.36	389	0.15	35x30	HL22W221M#AS3
	270	1.45	4.06	317	0.15	30x45	HL22W271M#ZS6
1.40		3.92	317	0.15	35x35	HL22W271M#AS4	
330	1.67	4.68	259	0.15	30x50	HL22W331M#ZS7	
	1.62	4.54	259	0.15	35x40	HL22W331M#AS5	
390	1.83	5.12	224	0.15	35x45	HL22W391M#AS6	
470	2.08	5.82	190	0.15	35x50	HL22W471M#AS7	
500 VDC Code: 2H Surge Voltage 550 VDC	100	0.74	2.06	960	0.20	25x45	HL22H101M#YS6
		0.85	2.37	800	0.20	25x50	HL22H121M#YS7
	120	0.79	2.22	800	0.20	30x35	HL22H121M#ZS4
		0.79	2.22	800	0.20	35x30	HL22H121M#AS3
	150	0.94	2.62	640	0.20	30x40	HL22H151M#ZS5
		0.94	2.62	640	0.20	35x35	HL22H151M#AS4
	180	1.11	3.11	540	0.20	30x50	HL22H181M#ZS7
		1.07	2.99	540	0.20	35x40	HL22H181M#AS5
	220	1.23	3.45	440	0.20	35x45	HL22H221M#AS6
	270	1.42	3.97	360	0.20	35x50	HL22H271M#AS7
330	1.56	4.37	340	0.20	35x60	HL22H331M#AS9	
390	1.94	5.43	250	0.20	40x61	HL22H391M#BS9	

Additional designs on request · Weitere Designs auf Anfrage

> Ripple Current Multiplier · Wechselstrommultiplikator

Frequency [Hz]	50/60	120	300	1k	≥ 10k
Multiplier	0.70	1.00	1.18	1.34	1.45

Temperature [°C]	40	45	50	55	60	65	70	75	80	85	90	95	100	105
Multiplier	2.8	2.7	2.6	2.5	2.4	2.3	2.1	2.1	2.0	2.0	1.8	1.6	1.2	1.0

Forced cooling – Wind speed [m/sec]	v < 0.25	v ≥ 0.25	v ≥ 0.5	v ≥ 1.0	v ≥ 2.0	v ≥ 3.0
Multiplier	1.00	1.05	1.10	1.15	1.20	1.25

> Life Time Table · Brauchbarkeitsdauer – Tabelle

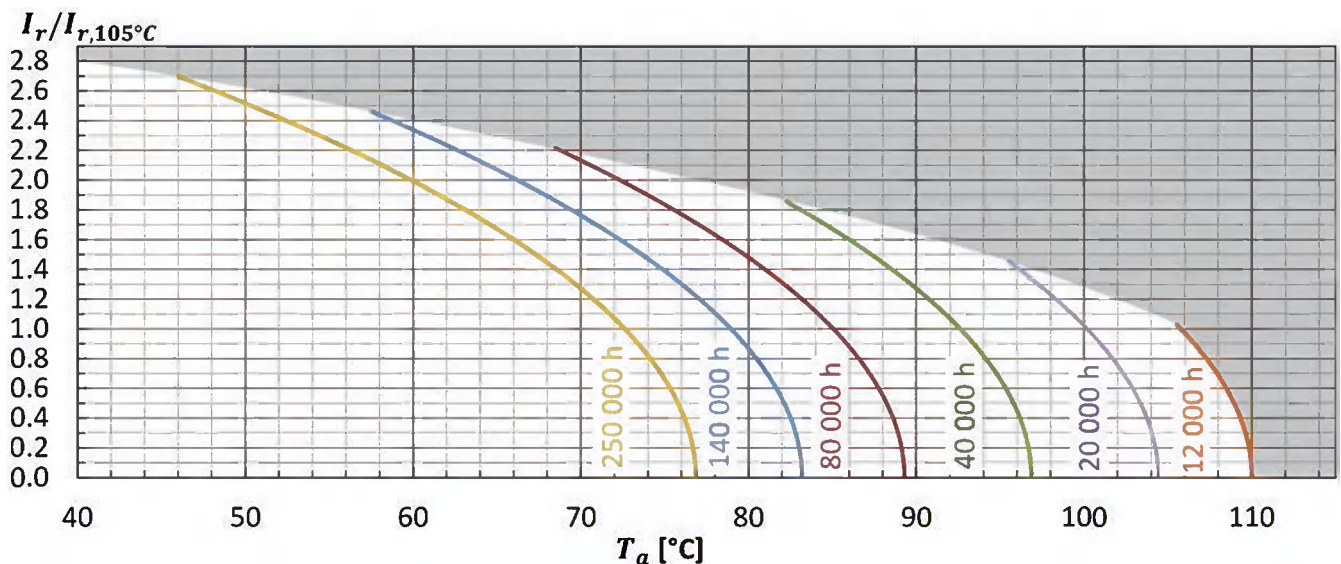
HL2 I _r at 105°C	Useful life as function of ambient temperature and ripple current													
	x 1.0	x 1.2	x 1.4	x 1.6	x 1.8	x 2.0	x 2.1	x 2.2	x 2.3	x 2.4	x 2.5	x 2.6	x 2.7	x 2.8
T _a = 40°C	250	250	250	250	250	250	250	250	250	250	250	250	250	250
T _a = 45°C	250	250	250	250	250	250	250	250	250	250	250	250	250	250
T _a = 50°C	250	250	250	250	250	250	250	250	250	250	250	211		
T _a = 55°C	250	250	250	250	250	250	250	250	237	198	163			
T _a = 60°C	250	250	250	250	250	248	211	179	150	125				
T _a = 65°C	250	250	250	250	210	156	133	113	94					
T _a = 70°C	250	250	219	173	133	99	84							
T _a = 75°C	201	169	138	109	84	62	53							
T _a = 80°C	127	107	87	69	53	39								
T _a = 85°C	80	67	55	43	33	25								
T _a = 90°C	50	42	35	27	21									
T _a = 95°C	32	27	22	17										
T _a = 100°C	20	17												
T _a = 105°C	12													

Max. value limited to 250 000 hours.

> Life Time Graph · Brauchbarkeitsdauer – Diagramm

Useful life depending on ambient temperature T_a and ripple current operating conditions I_r versus rated ripple current at the upper category temperature I_{r, 105°C, 120Hz}

Brauchbarkeitsdauer in Abhängigkeit von Umgebungstemperatur T_a und Wechselstrombelastung I_r im Verhältnis zur max. Wechselstrombelastung bei oberer Kategorie-temperatur I_{r, 105°C, 120Hz}



> Life Time Tests and Requirements · Anforderungen Brauchbarkeitsdauer

Life time test	Test procedure	Life time criteria
Endurance test	T _a = 105°C; V _r , I _r applied 8000 hours	ΔC/C ≤ 15% (of initial value) Tanδ ≤ 175% (of specified value) I _L ≤ specified value
Useful life	T _a = 105°C; V _r , I _r applied 12000 hours	ΔC/C ≤ 20% (of initial value) Tanδ < 200% (of specified value) I _L ≤ specified value

Reference Specification: JIS C 5101-4, JIS C 5102, IEC 60384-4

DH · Snap-In · 6000h/105 °C

Permanent Charge-Discharge application Design

These capacitors have been developed especially for deep and frequent charge – discharge applications such as AC servo motors, lamp flash, X-ray, etc.

Diese Kondensatoren wurden speziell für Anwendungen mit häufigen und tiefen Lade-/Entladevorgängen entwickelt wie z.B. AC Motoren, Blitzlampen, Röntgengeräte usw.

> Specifications · Spezifikationen

Items	Characteristics
Temperature range	-25°C ~ + 105°C
Capacitance tolerance (at 20°C)	Standard +/- 20%, -10%/+30% on request
Surge voltage	Repetitive max. 30 sec per 6 Minutes
Leakage current max. I _l (20°C, 5 min)	0.02 • C • V _r [μA] or 3 mA, which is smaller.
Useful life	6000 hours at 105°C
Field failure rate	0.5 FIT = 0.5 • 10 ⁻⁹ Failures/hour
Reference standards	IEC 60384-4, JIS C 5101-4, AEC-Q200 qualified
Vibration	0.75mm, 10...55Hz, 10g, 3x2h
Charge – Discharge	ΔV = 150VDC, f = 6Hz life ≥ 150 Mio cycles at 40°C
Sleeve withstanding voltage	3000 Vac/1 min between terminals bundled and plate*
Product Compliance	RoHS, REACH, Conflict Minerals a.o. - refer to p. 12–13



* Typical value using sleeve which is free from any scratches and damages

> Outline Drawings · Bauformen

Refer to page 7 for available terminal shapes and dimensions. · Auf Seite 7 finden Sie die verfügbaren Bauformen und Maße.

> Product Code · Bestellbezeichnung

Example: Series DH · 400 V · 100 μF ± 20 % · 22x25 mm · 2-Pin · without plate

DH		2G		101		M		R		X		S2		WPEC	
Type of series		Capacitance code		Terminal symbol code		Rated voltage code		Capacitance tolerance		Diameter Code		Length Code			
		The first two digits are significant. The last digit indicates the number of following zeros in μF.		R: 2-claw 6.3 mm S: 4-claw 6.3 mm C: 2-claw short 4.0 mm X: 4-claw short 4.0 mm E: 3-claw short 4.0 mm T: 2-lugs 4.5 mm		Code Voltage		M : ± 20%		Code ØD		Code L Code L			
						2G 400 2W 450				X 22 Y 25 Z 30 A 35		S2 25 S6 45 S3 30 S7 50 S4 35 S13 80 S5 40			
												Others on request			

Rated VoltageCode (Surge Voltage) V_r [V DC]	Capacitance C_r [μF]	Ripple Current at 105°C/120Hz I_r [A RMS]	Ripple Current at 40°C/120Hz [A RMS]	ESR (typ) at 20°C/100Hz [mΩ]	Dissipation Factor at 20°C/100Hz Tan δ	DxL [mm]	Product Code # = variable value, see fixing code in the product code
400 VDC Code: 2G Surge Voltage 450 VDC	100	0.70	1.61	1100	0.20	22x25	DH2G101M#XS2
	120	0.82	1.89	920	0.20	22x30	DH2G121M#XS3
		0.81	1.86	920	0.20	25x25	DH2G121M#YS2
	150	0.96	2.21	730	0.20	22x35	DH2G151M#XS4
	180	1.09	2.51	610	0.20	22x40	DH2G181M#XS5
		1.04	2.39	610	0.20	25x30	DH2G181M#YS3
	220	1.25	2.88	500	0.20	22x45	DH2G221M#XS6
		1.21	2.78	500	0.20	25x35	DH2G221M#YS4
		1.15	2.65	500	0.20	30x25	DH2G221M#ZS2
	270	1.44	3.31	410	0.20	22x50	DH2G271M#XS7
		1.39	3.20	410	0.20	25x40	DH2G271M#YS5
		1.34	3.08	410	0.20	30x30	DH2G271M#ZS3
		1.32	3.04	410	0.20	35x25	DH2G271M#AS2
	330	1.60	3.68	330	0.20	25x45	DH2G331M#YS6
		1.55	3.57	330	0.20	30x35	DH2G331M#ZS4
		1.68	3.86	330	0.20	35x30	DH2G331M#AS3
	390	1.76	4.05	280	0.20	30x40	DH2G391M#ZS5
		1.67	3.84	280	0.20	35x30	DH2G391M#AS3
	470	2.00	4.60	230	0.20	30x45	DH2G471M#ZS6
		1.91	4.39	230	0.20	35x35	DH2G471M#AS4
560	2.25	5.18	200	0.20	30x50	DH2G561M#ZS7	
	2.17	4.99	200	0.20	35x40	DH2G561M#AS5	
680	2.47	5.68	160	0.20	35x45	DH2G681M#AS6	
1 500	4.99	11.48	55	0.20	35x80	DH2G152M#AS132PCC	
450 VDC Code: 2W Surge Voltage 500 VDC	82	0.64	1.47	1220	0.20	22x25	DH2W820M#XS2
	100	0.75	1.73	1000	0.20	22x30	DH2W101M#XS3
		0.74	1.70	1000	0.20	25x25	DH2W101M#YS2
	120	0.86	1.98	830	0.20	22x35	DH2W121M#XS4
		0.85	1.96	830	0.20	25x30	DH2W121M#YS3
	150	1.00	2.30	660	0.20	22x40	DH2W151M#XS5
		1.00	2.30	660	0.20	25x35	DH2W151M#YS4
		0.95	2.19	660	0.20	30x25	DH2W151M#ZS2
	180	1.13	2.60	550	0.20	22x45	DH2W181M#XS6
		1.09	2.51	550	0.20	25x35	DH2W181M#YS4
	220	1.30	2.99	450	0.20	25x45	DH2W221M#YS6
		1.21	2.78	450	0.20	30x30	DH2W221M#ZS3
		1.19	2.74	450	0.20	35x25	DH2W221M#AS2
	270	1.49	3.43	370	0.20	25x50	DH2W271M#YS7
		1.41	3.24	370	0.20	30x35	DH2W271M#ZS4
		1.39	3.20	370	0.20	35x30	DH2W271M#AS3
	300	1.48	3.40	323	0,20	35x30	DH2W301M#AS3
	330	1.62	3.73	300	0.20	30x40	DH2W331M#ZS5
		1.60	3.68	300	0.20	35x35	DH2W331M#AS4
	390	1.88	4.32	260	0.20	30x50	DH2W391M#ZS7
1.81		4.16	260	0.20	35x40	DH2W391M#AS5	
470	2.05	4.72	210	0.20	35x45	DH2W471M#AS6	
500	2.11	4.85	198	0.20	35x45	DH2W501M#AS6	
560	2.31	5.31	180	0.20	35x50	DH2W561M#AS7	

Additional designs on request · Weitere Designs auf Anfrage

> Ripple Current Multiplier · Wechselstrommultiplikator

Frequency [Hz]	50/60		120		300		1k		≥ 10k	
Multiplier	0.70		1.00		1.18		1.34		1.45	

Temperature [°C]	40	45	50	55	60	65	70	75	80	85	90	95	100	105
Multiplier	2.3	2.1	2.0	2.0	1.9	1.8	1.7	1.6	1.4	1.4	1.2	1.1	1.1	1.0

Forced cooling – Wind speed [m/sec]	v < 0.25	v ≥ 0.25	v ≥ 0.5	v ≥ 1.0	v ≥ 2.0	v ≥ 3.0
Multiplier	1.00	1.05	1.10	1.15	1.20	1.25

> Life Time Table · Brauchbarkeitsdauer – Tabelle

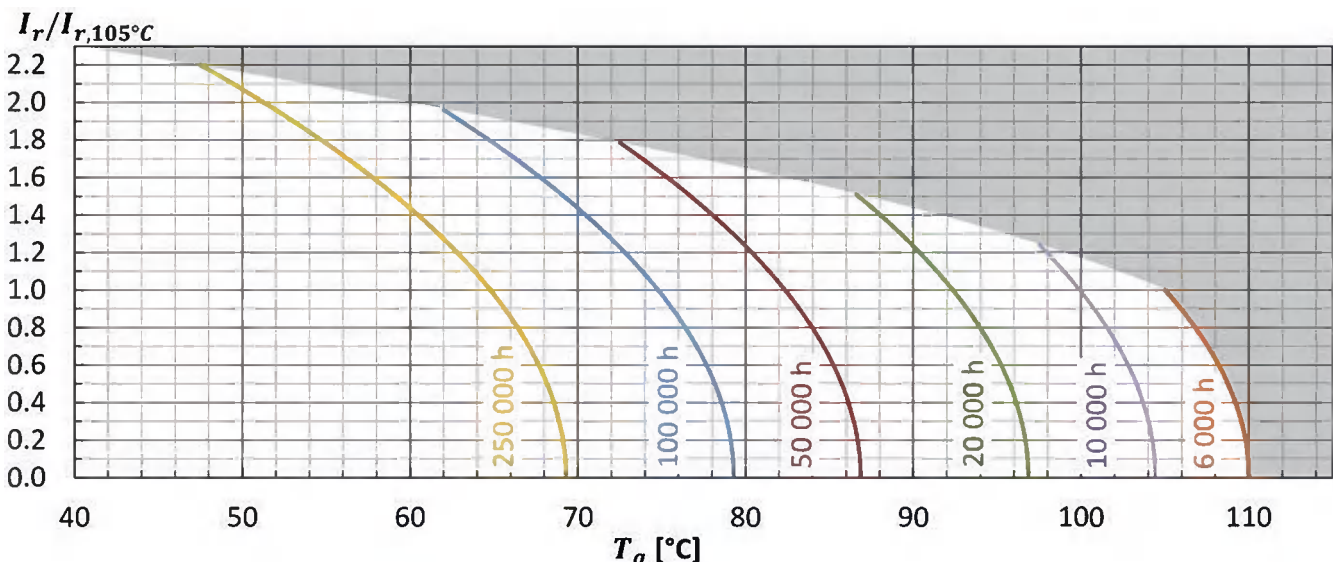
DH	Useful life as function of ambient temperature and ripple current														
	I_r at 105°C	x 1.0	x 1.1	x 1.2	x 1.3	x 1.4	x 1.5	x 1.6	x 1.7	x 1.8	x 1.9	x 2.0	x 2.1	x 2.2	x 2.3
$T_a = 40°C$	250	250	250	250	250	250	250	250	250	250	250	250	250	250	250
$T_a = 45°C$	250	250	250	250	250	250	250	250	250	250	250	250	250		
$T_a = 50°C$	250	250	250	250	250	250	250	250	250	250	250	250			
$T_a = 55°C$	250	250	250	250	250	250	250	250	243	209	178				
$T_a = 60°C$	250	250	250	250	250	231	203	177	154	132					
$T_a = 65°C$	245	225	204	184	165	146	128	112	97						
$T_a = 70°C$	155	142	129	116	104	92	81	71							
$T_a = 75°C$	98	90	81	73	66	58	51								
$T_a = 80°C$	62	56	51	46	41										
$T_a = 85°C$	39	36	32	29	26										
$T_a = 90°C$	24	22	20												
$T_a = 95°C$	15	14													
$T_a = 100°C$	9	9													
$T_a = 105°C$	6														

khrs Max. value limited to 250 000 hours.

> Life Time Graph · Brauchbarkeitsdauer – Diagramm

Useful life depending on ambient temperature T_a and ripple current operating conditions I_r versus rated ripple current at the upper category temperature $I_{r, 105°C, 120Hz}$

Brauchbarkeitsdauer in Abhängigkeit von Umgebungstemperatur T_a und Wechselstrombelastung I_r im Verhältnis zur max. Wechselstrombelastung bei oberer Kategorie-temperatur $I_{r, 105°C, 120Hz}$



> Life Time Tests and Requirements · Anforderungen Brauchbarkeitsdauer

Life time test	Test procedure	Life time criteria
Endurance test	$T_a = 105^\circ\text{C}$; V_r, I_r applied 5000 hours	$\Delta C/C \leq 20\%$ (of initial value) $\text{Tan}\delta \leq 200\%$ (of specified value) $I_L \leq$ specified value
	$f = 6\text{Hz} \geq 100$ Mio cycles at 40°C	
Useful life	$T_a = 105^\circ\text{C}$; V_r, I_r applied 6000 hours	$\Delta C/C \leq 30\%$ (of initial value) $\text{Tan}\delta < 300\%$ (of specified value) $I_L \leq$ specified value
	$f = 6\text{Hz} \geq 150$ Mio cycles at 40°C	

Reference Specification: JIS C 5101-4, JIS C 5102, IEC 60384-4

ZLR · Snap-In · 8000 h/105 °C

High Ripple Current · ULTRA low ESR · Compact Design

> Specifications · Spezifikationen

Items	Characteristics
Temperature range	-25°C ~ + 105°C
Capacitance tolerance (at 20°C)	Standard +/- 20%, -10%/+30% on request
Surge voltage	Repetitive max. 30 sec per 6 Minutes
Leakage current max. I _L (20°C, 5 min)	0.02 • C • V _r [μA] or 3 mA, which is smaller.
Useful life	8000 hours at 105°C
Field failure rate	0.5 FIT = 0.5 • 10 ⁻⁹ Failures/hour
Reference standards	IEC 60384-4, JIS C 5101-4, AEC-Q200 qualified
Vibration	0.75mm, 10...55Hz, 10g, 3x2h
Sleeve withstanding voltage	3000 Vac/1 min between terminals bundled and plate*
Product Compliance	RoHS, REACH, Conflict Minerals a.o. - refer to p. 12-13



* Typical value using sleeve which is free from any scratches and damages

> Outline Drawings · Bauformen

Refer to page 7 for available terminal shapes and dimensions. · Auf Seite 7 finden Sie die verfügbaren Bauformen und Maße.

> Product Code · Bestellbezeichnung

Example: Series ZLR · 450 V · 560 μF ± 20 % · 35x50 mm · 2-pin short · without plate

ZLR

Type of series

2W

Capacitance code

The first two digits are significant.
The last digit indicates the number
of following zeros in μF.

561

Capacitance tolerance

M : ± 20%

Q : -10% ~ +30%

M

Terminal
symbol code

R: 2-claw 6.3 mm

S: 4-claw 6.3 mm

C: 2-claw short 4.0 mm

X: 4-claw short 4.0 mm

E: 3-claw short 4.0 mm

T: 2-lugs 4.5 mm

C

A

Diameter code

Code ØD

X 22

Y 25

Z 30

A 35

S7

Length Code

Code L

S2 25

S3 30

S4 35

S5 40

Code L

S6 45

S7 50

S8 55

S9 60

WPEC

Outer design code

None:
PET sleeve and PVC plate

WPEC:
PET sleeve without plate

Rated voltage code

Code

Voltage

2G

400

2W

450

Rated VoltageCode (Surge Voltage) V_r [V DC]	Capacitance C_r [μ F]	Ripple Current at 105°C/120Hz I_r [A RMS]	Ripple Current at 40°C/120Hz [A RMS]	ESR (typ) at 20°C/100Hz [m Ω]	Dissipation Factor at 20°C/100Hz Tan δ	DxL [mm]	Product Code # = variable value, see fixing code in the product code
400 VDC Code: 2G Surge Voltage 450 VDC	100	0.83	2.08	470	0.20	22x25	ZLR2G101M#XS2
	120	0.94	2.35	385	0.20	22x30	ZLR2G121M#XS3
		0.95	2.38	385	0.20	25x25	ZLR2G121M#YS2
	150	1.09	2.73	335	0.20	22x35	ZLR2G151M#XS4
	180	1.22	3.05	285	0.20	22x40	ZLR2G181M#XS5
		1.21	3.03	285	0.20	25x30	ZLR2G181M#YS3
		1.26	3.15	215	0.20	30x25	ZLR2G181M#ZS2
	220	1.37	3.43	230	0.20	22x45	ZLR2G221M#XS6
		1.38	3.45	230	0.20	25x35	ZLR2G221M#YS4
		1.44	3.60	180	0.20	30x30	ZLR2G221M#ZS3
	270	1.54	3.85	185	0.20	22x50	ZLR2G271M#XS7
		1.56	3.90	185	0.20	25x40	ZLR2G271M#YS5
		1.65	4.13	145	0.20	30x35	ZLR2G271M#ZS4
		1.61	4.03	145	0.20	35x25	ZLR2G271M#AS2
	330	1.77	4.43	145	0.20	25x50	ZLR2G331M#YS7
		1.85	4.63	115	0.20	30x40	ZLR2G331M#ZS5
		2.42	5.81	100	0.20	30x50	ZLR2G331Q#ZS7CC
		1.83	4.58	115	0.20	35x30	ZLR2G331M#AS3
	390	2.05	5.13	95	0.20	30x45	ZLR2G391M#ZS6
		2.05	5.13	95	0.20	35x35	ZLR2G391M#AS4
	470	2.27	5.68	80	0.20	30x50	ZLR2G471M#ZS7
		2.29	5.73	80	0.20	35x40	ZLR2G471M#AS5
	560	2.54	6.35	65	0.20	35x45	ZLR2G561M#AS6
		3.16	7.90	55	0.20	35x60	ZLR2G561Q#AS9CCR
680	2.82	7.05	60	0.20	35x50	ZLR2G681M#AS7	
	3.49	8.73	50	0.20	35x60	ZLR2G681Q#AS9CCR	
450 VDC Code: 2W Surge Voltage 500 VDC	68	0.66	1.65	720	0.20	22x25	ZLR2W680M#XS2
	100	0.83	2.08	490	0.20	22x30	ZLR2W101M#XS3
		0.84	2.10	490	0.20	25x25	ZLR2W101M#YS2
	120	0.94	2.35	420	0.20	22x35	ZLR2W121M#XS4
		0.95	2.38	420	0.20	25x30	ZLR2W121M#YS3
	150	1.07	2.68	350	0.20	22x40	ZLR2W151M#XS5
		1.10	2.75	350	0.20	25x35	ZLR2W151M#YS4
		1.11	2.78	285	0.20	30x25	ZLR2W151M#ZS2
	180	1.19	2.98	300	0.20	22x45	ZLR2W181M#XS6
		1.23	3.08	300	0.20	25x40	ZLR2W181M#YS5
		1.26	3.15	235	0.20	30x30	ZLR2W181M#ZS3
	220	1.34	3.35	245	0.20	22x50	ZLR2W221M#XS7
		1.38	3.45	245	0.20	25x45	ZLR2W221M#YS6
		1.43	3.58	190	0.20	30x35	ZLR2W221M#ZS4
		1.42	3.55	190	0.20	35x25	ZLR2W221M#AS2
	270	1.54	3.85	195	0.20	25x50	ZLR2W271M#YS7
		1.62	4.05	150	0.20	30x40	ZLR2W271M#ZS5
		1.63	4.08	150	0.20	35x30	ZLR2W271M#AS3
	330	1.81	4.53	120	0.20	30x45	ZLR2W331M#ZS6
		1.84	4.60	120	0.20	35x35	ZLR2W331M#AS4
	390	1.99	4.98	95	0.20	30x50	ZLR2W391M#ZS7
		2.04	5.10	95	0.20	35x40	ZLR2W391M#AS5
	470	2.27	5.68	80	0.20	35x45	ZLR2W471M#AS6
	560	2.50	6.25	70	0.20	35x50	ZLR2W561M#AS7
680	2.87	7.18	60	0.20	35x55	ZLR2W681M#AS8	

Additional designs on request · Weitere Designs auf Anfrage

> Ripple Current Multiplier · Wechselstrommultiplikator

Frequency [Hz]	50/60	120	300	1k	≥ 10k
Multiplier	0.70	1.00	1.30	1.50	1.80

Ta (°C)	40	45	50	55	60	65	70	75	80	85	90	95	100	105
Multiplier	2.5	2.4	2.3	2.2	2.1	2.0	1.9	1.7	1.6	1.5	1.4	1.2	1.1	1.0

Forced cooling – Wind speed [m/sec]	v < 0.25	v ≥ 0.25	v ≥ 0.5	v ≥ 1.0	v ≥ 2.0	v ≥ 3.0
Multiplier	1.00	1.05	1.10	1.15	1.20	1.25

> Life Time Table · Brauchbarkeitsdauer – Tabelle

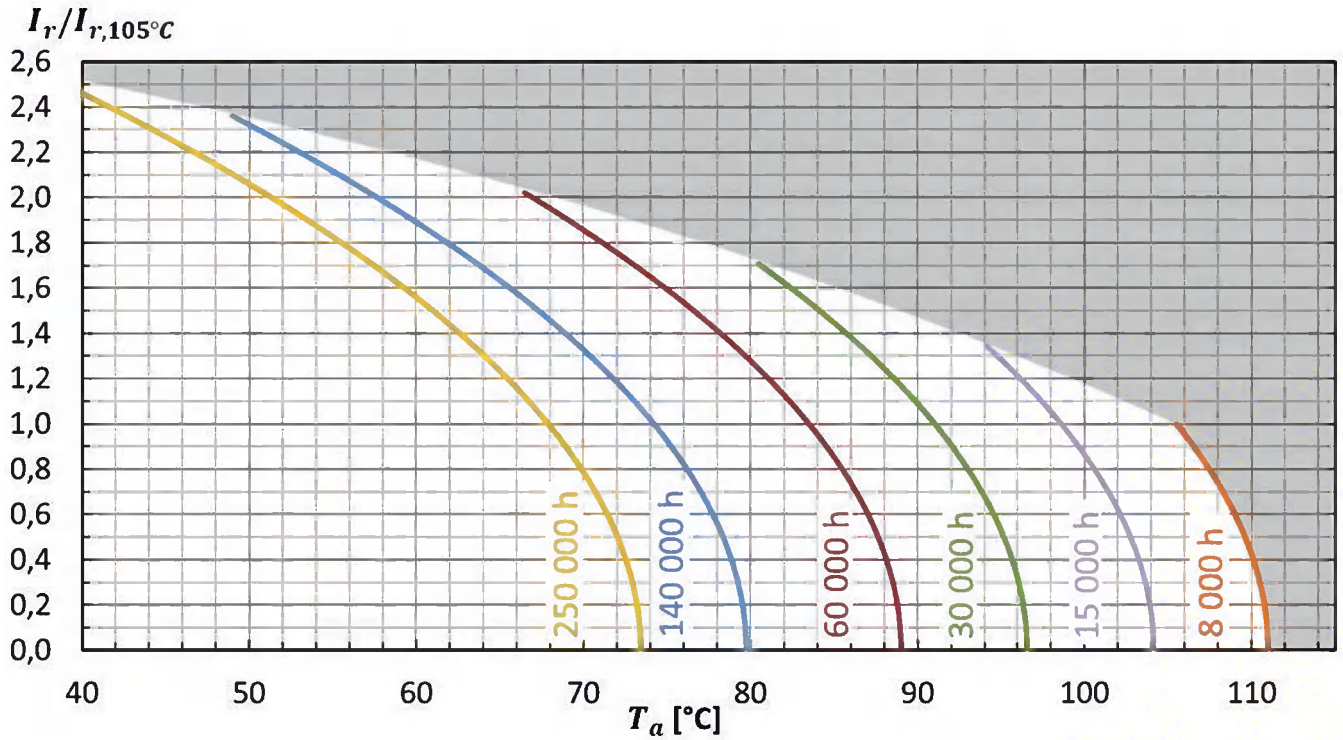
ZLR	Ripple Current Multiplier														
	T _a	1.0	1.1	1.2	1.4	1.5	1.6	1.7	1.9	2.0	2.1	2.2	2.3	2.4	2.5
40°C	250	250	250	250	250	250	250	250	250	250	250	250	250	250	227
45°C	250	250	250	250	250	250	250	250	250	250	250	250	233	184	
50°C	250	250	250	250	250	250	250	250	250	230	185	147			
55°C	250	250	250	250	250	250	250	218	179	145	117				
60°C	250	250	250	250	250	235	198	138	113	92					
65°C	250	250	250	201	174	148	126	87	72						
70°C	207	186	165	127	110	94	79	55							
75°C	131	117	105	80	69	59	50								
80°C	83	74	66	51	44	38									
85°C	52	47	42	32	28										
90°C	33	30	26	20											
95°C	21	19	17												
100°C	13	12													
105°C	8														

khrs Max. value limited to 250 000 hours.

> Life Time Graph · Brauchbarkeitsdauer – Diagramm

Useful life depending on ambient temperature T_a and ripple current operating conditions I_r versus rated ripple current at the upper category temperature I_{r, 105°C, 120Hz}

Brauchbarkeitsdauer in Abhängigkeit von Umgebungstemperatur T_a und Wechselstrombelastung I_r im Verhältnis zur max. Wechselstrombelastung bei oberer Kategorie-temperatur I_{r, 105°C, 120Hz}



> Life Time Tests and Requirements · Anforderungen Brauchbarkeitsdauer

Life time test	Test procedure	Life time criteria
Endurance test	$T_a = 105^\circ\text{C}$; V_r, I_r applied 5000 hours	$\Delta C/C \leq 20\%$ (of initial value) $\text{Tan}\delta \leq 200\%$ (of specified value) $I_L \leq$ specified value
Useful life	$T_a = 105^\circ\text{C}$; V_r, I_r applied 8000 hours	$\Delta C/C \leq 30\%$ (of initial value) $\text{Tan}\delta < 300\%$ (of specified value) $I_L \leq$ specified value

Reference Specification: JIS C 5101-4, JIS C 5102, IEC 60384-4

ZR · Snap-In · 8000 h/105 °C

Higher Ripple Current · ULTRA low ESR · Compact Design

> Specifications · Spezifikationen

Items	Characteristics
Temperature range	-40°C ~ + 105°C
Capacitance tolerance (at 20°C)	Standard +/- 20%, -10%/+30% on request
Surge voltage	Repetitive max. 30 sec per 6 Minutes
Leakage current max. I _L (20°C, 5 min)	0.02 · C · V _r [μA] or 3 mA, which is smaller.
Useful life	8000 hours at 105°C
Field failure rate	0.5 FIT = 0.5 · 10 ⁻⁹ Failures/hour
Reference standards	IEC 60384-4, JIS C 5101-4
Vibration	0.75mm, 10...55Hz, 10g, 3x2h
Sleeve withstanding voltage	3000 Vac/1 min between terminals bundled and plate*
Product Compliance	RoHS, REACH, Conflict Minerals a.o. - refer to p. 12-13



* Typical value using sleeve which is free from any scratches and damages

> Outline Drawings · Bauformen

Refer to page 7 for available terminal shapes and dimensions. · Auf Seite 7 finden Sie die verfügbaren Bauformen und Maße.

> Product Code · Bestellbezeichnung

Example: Series ZR · 400 V · 560 μF ±20 % · 35x45 mm · 2-pin short · without plate

ZR	2G	561	M	C	A	S6	WPEC
Type of series	Capacitance code The first two digits are significant. The last digit indicates the number of following zeros in μF.		Terminal symbol code R: 2-claw 6.3 mm S: 4-claw 6.3 mm C: 2-claw short 4.0 mm X: 4-claw short 4.0 mm E: 3-claw short 4.0 mm T: 2-lugs 4.5 mm		Diameter code		Outer design code None: PET sleeve and PVC plate WPEC: PET sleeve without plate
Rated voltage code		Capacitance tolerance		Length Code			
Code	Voltage	M : ± 20%		Code	L	Code	L
2G	400	Q : -10% ~ +30%		S2	25	S6	45
2W	450			S3	30	S7	50
				S4	35	S8	55
				S5	40	S9	60

Rated VoltageCode (Surge Voltage) V_r [V DC]	Capacitance C_r [μF]	Ripple Current at 105°C/120Hz I_r [A RMS]	Ripple Current at 40°C/120Hz [A RMS]	ESR (typ) at 20°C/100Hz [mΩ]	Dissipation Factor at 20°C/100Hz Tan δ	DxL [mm]	Product Code # = variable value, see fixing code in the product code
400 VDC Code: 2G Surge Voltage 450 VDC	180	1.50	3.60	215	0.20	30x25	ZR2G181M#ZS2
	220	1.82	4.37	180	0.20	30x30	ZR2G221M#ZS3
	270	2.11	5.06	145	0.20	30x35	ZR2G271M#ZS4
		2.02	4.85	145	0.20	35x25	ZR2G271M#AS2
	330	2.43	5.83	115	0.20	30x40	ZR2G331M#ZS5
		2.35	5.64	115	0.20	35x30	ZR2G331M#AS3
	390	2.73	6.55	95	0.20	30x45	ZR2G391M#ZS6
		2.67	6.41	95	0.20	35x35	ZR2G391M#AS4
	470	3.09	7.41	80	0.20	30x50	ZR2G471M#ZS7
		3.04	7.30	80	0.20	35x40	ZR2G471M#AS5
560	3.43	8.23	65	0.20	35x45	ZR2G561M#AS6	
680	3.90	9.36	60	0.20	35x50	ZR2G681M#AS7	
820	4.49	10.78	50	0.20	35x60	ZR2G821M#AS9	
450 VDC Code: 2W Surge Voltage 500 VDC	150	1.25	3.00	285	0.20	30x25	ZR2W151M#ZS2
	180	1.50	3.60	235	0.20	30x30	ZR2W181M#ZS3
	220	1.83	4.40	190	0.20	30x35	ZR2W221M#ZS4
		1.83	4.40	190	0.20	35x25	ZR2W221M#AS2
	270	2.21	5.30	150	0.20	30x40	ZR2W271M#ZS5
		2.14	5.14	150	0.20	35x30	ZR2W271M#AS3
	330	2.52	6.05	120	0.20	30x45	ZR2W331M#ZS6
		2.47	5.93	120	0.20	35x35	ZR2W331M#AS4
	390	2.83	6.80	95	0.20	30x50	ZR2W391M#ZS7
		2.78	6.67	95	0.20	35x40	ZR2W391M#AS5
470	3.16	7.58	80	0.20	35x45	ZR2W471M#AS6	
560	3.55	8.52	70	0.20	35x50	ZR2W561M#AS7	
680	4.08	9.80	60	0.20	35x56	ZR2W681M#AS8	

Additional designs on request · Weitere Designs auf Anfrage

> Ripple Current Multiplier · Wechselstrommultiplikator

Frequency [Hz]	50/60		120		300		1k		≥ 10k	
Multiplier	0.70		1.00		1.30		1.50		1.80	

Ta (°C)	40	45	50	55	60	65	70	75	80	85	90	95	100	105
Multiplier	2.4	2.4	2.3	2.2	2.1	2.0	1.8	1.7	1.6	1.5	1.4	1.2	1.1	1.0

Forced cooling – Wind speed [m/sec]	v < 0.25	v ≥ 0.25	v ≥ 0.5	v ≥ 1.0	v ≥ 2.0	v ≥ 3.0
Multiplier	1.00	1.05	1.10	1.15	1.20	1.25

> Life Time Table · Brauchbarkeitsdauer – Tabelle

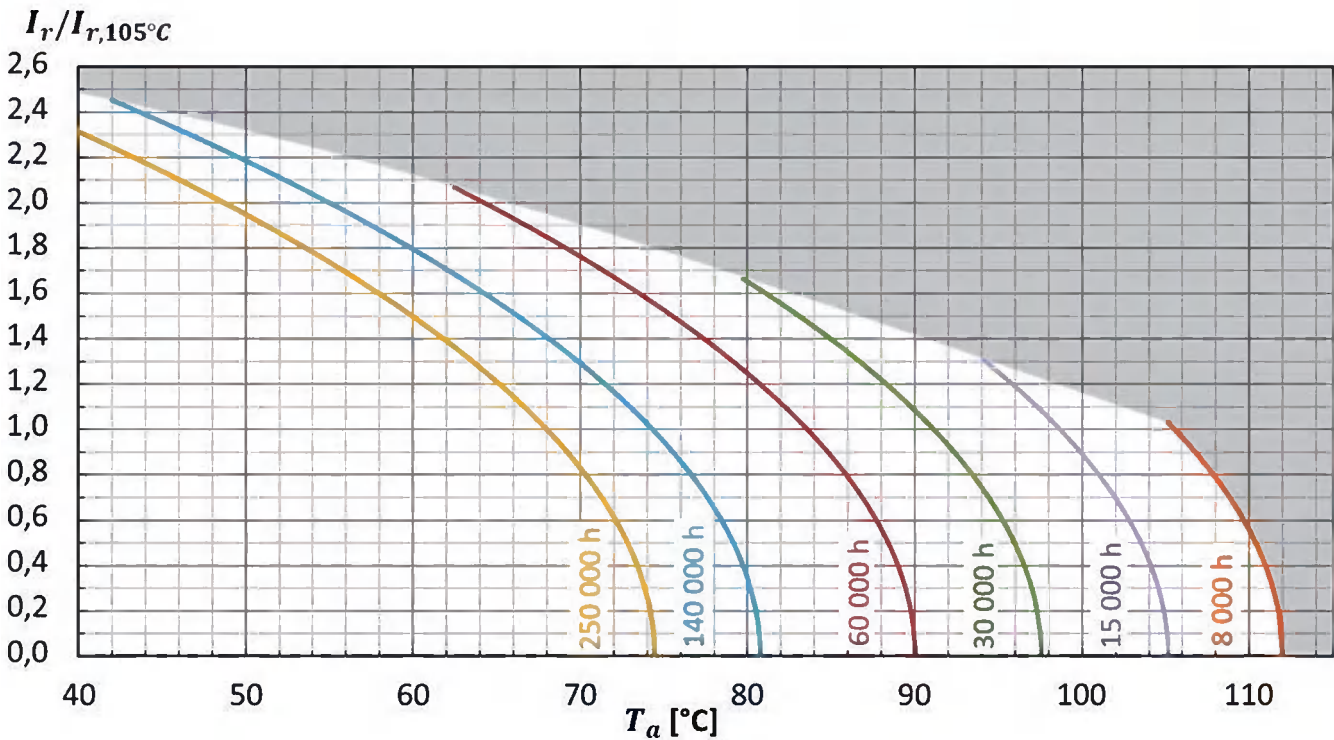
ZR	Ripple Current Multiplier												
	1.0	1.1	1.2	1.4	1.5	1.6	1.7	1.8	2.0	2.1	2.2	2.3	2.4
40°C	250	250	250	250	250	250	250	250	250	250	250	250	196
45°C	250	250	250	250	250	250	250	250	250	250	213	164	124
50°C	250	250	250	250	250	250	250	250	221	174	135	103	
55°C	250	250	250	250	250	250	250	219	140	110	85		
60°C	250	250	250	250	249	207	171	139	89	70			
65°C	250	250	250	187	157	131	108	88	56				
70°C	208	184	160	118	99	83	68	55					
75°C	132	116	101	75	63	52	43						
80°C	83	74	64	47	40	33							
85°C	53	46	41	30	25								
90°C	33	29	26	19									
95°C	21	19	16										
100°C	13	12											
105°C	8												

khrs Max. value limited to 250 000 hours.

> Life Time Graph · Brauchbarkeitsdauer – Diagramm

Useful life depending on ambient temperature T_a and ripple current operating conditions I_r versus rated ripple current at the upper category temperature $I_{r, 105^\circ\text{C}, 120\text{Hz}}$

Brauchbarkeitsdauer in Abhängigkeit von Umgebungstemperatur T_a und Wechselstrombelastung I_r im Verhältnis zur max. Wechselstrombelastung bei oberer Kategorietemperatur $I_{r, 105^\circ\text{C}, 120\text{Hz}}$



> Life Time Tests and Requirements · Anforderungen Brauchbarkeitsdauer

Life time test	Test procedure	Life time criteria
Endurance test	$T_a = 105^{\circ}\text{C}$; V_r, I_r applied 5000 hours	$\Delta C/C \leq 20\%$ (of initial value) $\text{Tan}\delta \leq 200\%$ (of specified value) $I_L \leq$ specified value
Useful life	$T_a = 105^{\circ}\text{C}$; V_r, I_r applied 8000 hours	$\Delta C/C \leq 30\%$ (of initial value) $\text{Tan}\delta < 300\%$ (of specified value) $I_L \leq$ specified value

Reference Specification: JIS C 5101-4, JIS C 5102, IEC 60384-4

ZR2 · Snap-In · 8000 h/105 °C

Highest Ripple Current · Side Vent · Low ESR · Compact Design

> Specifications · Spezifikationen

Items	Characteristics
Temperature range	-25°C (-40°C on request) ~ + 105°C
Capacitance tolerance (at 20°C)	Standard +/- 20%, -10%/+30% on request
Surge voltage	Repetitive max. 30 sec per 6 Minutes
Leakage current max. I _L (20°C, 5 min)	0.02 · C · V _r [μA] or 3 mA, which is smaller.
Useful life	8000 hours at 105°C
Field failure rate	0.5 FIT = 0.5 · 10 ⁻⁹ Failures/hour
Reference standards	IEC 60384-4, JIS C 5101-4
Vibration	0.75mm, 10...55Hz, 10g, 3x2h
Sleeve withstanding voltage	3000 Vac/1 min between terminals bundled and plate*
Product Compliance	RoHS, REACH, Conflict Minerals a.o. - refer to p. 12-13

* Typical value using sleeve which is free from any scratches and damages



> Outline Drawings · Bauformen

Refer to page 7 for available terminal shapes and dimensions. · Auf Seite 7 finden Sie die verfügbaren Bauformen und Maße.

> Product Code · Bestellbezeichnung

Example: Series ZR2 · 400 V · 470 μF ± 20 % · 30x50 mm · 2-pin short · without plate

ZR2		2G		471		M		C		Z		S7		WPEC	
Type of series		Capacitance code		Terminal symbol code		Diameter code		Outer design code		Rated voltage code		Capacitance tolerance		Length code	
		The first two digits are significant. The last digit indicates the number of following zeros in μF.		R: 2-claw 6.3 mm S: 4-claw 6.3 mm C: 2-claw short 4.0 mm X: 4-claw short 4.0 mm E: 3-claw short 4.0 mm T: 2-lugs 4.5 mm		Code ØD		None: PET sleeve and PVC plate WPEC: PET sleeve without plate		Code Voltage		Code L*		Code L*	
						Y 25 Z 30 A 35 B 40				2G 400 2W 450		S2 25 S7 50 S3 30 S9 60 S4 35 S13 80 S5 40 S17 100 S6 45			

* exact length is mentioned in the product table

Rated VoltageCode (Surge Voltage) V_r [V DC]	Capacitance C_r [μF]	Ripple Current at 105°C/120Hz I_r [A RMS]	Ripple Current at 40°C/120Hz [A RMS]	ESR (typ) at 20°C/100Hz [mΩ]	Dissipation Factor at 20°C/100Hz $\tan \delta$	DxL [mm]	Product Code # = variable value, see fixing code in the product code
400 VDC Code: 2G Surge Voltage 450 VDC	220	2.14	5.35	280	0.20	30x30	ZR22G221M#ZS3
	270	2.46	6.15	230	0.20	30x35	ZR22G271M#ZS4
	330	2.81	7.03	190	0.20	30x40	ZR22G331M#ZS5
		2.76	6.90	190	0.20	35x31	ZR22G331M#AS3
	390	3.14	7.85	160	0.20	30x45	ZR22G391M#ZS6
		3.13	7.83	160	0.20	35x36	ZR22G391M#AS4
	470	3.52	8.80	140	0.20	30x50	ZR22G471M#ZS7
		3.54	8.85	140	0.20	35x41	ZR22G471M#AS5
		3.36	8.40	140	0.20	40x30	ZR22G471M#BS3
		3.47	8.68	140	0.20	40x35	ZR22G471M#BS4
	560	3.96	9.90	115	0.20	30x60	ZR22G561M#ZS9
		3.96	9.90	115	0.20	35x46	ZR22G561M#AS6
		3.89	9.73	115	0.20	40x40	ZR22G561M#BS5
	680	4.49	11.23	95	0.20	30x75	ZR22G681M#ZS12
		4.45	11.13	95	0.20	35x51	ZR22G681M#AS7
		4.38	10.95	95	0.20	40x45	ZR22G681M#BS6
	820	4.94	12.35	80	0.20	30x80	ZR22G821M#ZS13
		5.04	12.60	80	0.20	35x61	ZR22G821M#AS9
		4.89	12.23	80	0.20	40x50	ZR22G821M#BS7
	1 000	5.44	13.60	65	0.20	30x100	ZR22G102M#ZS17
5.69		14.23	65	0.20	35x76	ZR22G102M#AS12	
5.52		13.80	65	0.20	40x61	ZR22G102M#BS9	
1 200	6.26	15.65	55	0.20	35x81	ZR22G122M#AS13	
1 500	6.96	17.40	50	0.20	35x100	ZR22G122M#AS17	
450 VDC Code: 2W Surge Voltage 500 VDC	180	1.87	4.68	350	0.20	30x30	ZR22W181M#ZS3
	220	2.15	5.38	290	0.20	30x35	ZR22W221M#ZS4
	270	2.42	6.05	230	0.20	30x40	ZR22W271M#ZS5
		2.35	5.88	230	0.20	35x31	ZR22W271M#AS3
	330	2.72	6.80	190	0.20	30x45	ZR22W331M#ZS6
		2.71	6.78	190	0.20	35x36	ZR22W331M#AS4
		2.65	6.63	190	0.20	40x30	ZR22W331M#BS3
		2.74	6.85	190	0.20	40x35	ZR22W331M#BS4
	390	3.02	7.55	170	0.20	30x50	ZR22W391M#ZS7
		3.04	7.60	170	0.20	35x41	ZR22W391M#AS5
	470	3.42	8.55	140	0.20	30x60	ZR22W471M#ZS9
		3.42	8.55	140	0.20	35x46	ZR22W471M#AS6
		3.36	8.40	140	0.20	40x40	ZR22W471M#AS5
	560	3.84	9.60	120	0.20	30x75	ZR22W561M#ZS12
		3.81	9.53	120	0.20	35x51	ZR22W561M#AS7
		3.74	9.35	120	0.20	40x45	ZR22W561M#BS6
		3.81	9.53	120	0.20	40x50	ZR22W561M#BS7
	680	4.25	10.63	100	0.20	30x80	ZR22W681M#ZS13
		4.33	10.83	100	0.20	35x61	ZR22W681M#AS9
	820	4.64	11.60	85	0.20	30x100	ZR22W821M#ZS17
4.87		12.18	85	0.20	35x76	ZR22W821M#AS12	
4.88		12.20	85	0.20	35x81	ZR22W821M#AS13	
4.72		11.80	85	0.20	40x61	ZR22W821M#BS9	
1 000	5.36	13.40	70	0.20	35x100	ZR22W102M#AS17	

Additional designs on request · Weitere Designs auf Anfrage

> Ripple Current Multiplier · Wechselstrommultiplikator

Frequency [Hz]	50/60		120		300		1k		≥ 10k	
Multiplier	0.70		1.00		1.30		1.50		1.60	

T _a (°C)	40	45	50	55	60	65	70	75	80	85	90	95	100	105
Multiplier	2.5	2.4	2.3	2.2	2.1	2.0	1.8	1.7	1.6	1.5	1.4	1.2	1.1	1.0

Forced cooling – Wind speed [m/sec]	v < 0.25	v ≥ 0.25	v ≥ 0.5	v ≥ 1.0	v ≥ 2.0	v ≥ 3.0
Multiplier	1.00	1.10	1.15	1.25	1.30	1.35

> Life Time Table · Brauchbarkeitsdauer – Tabelle

ZR2 400V	Ripple Current Multiplier													
	T _a	1.0	1.1	1.2	1.4	1.5	1.6	1.7	1.8	2.0	2.1	2.2	2.3	2.4
40°C	250	250	250	250	250	250	250	250	250	250	210	152	108	76
45°C	250	250	250	250	250	250	250	250	244	182	133	96	68	
50°C	250	250	250	250	250	250	250	250	155	115	84	61		
55°C	250	250	250	250	250	250	219	170	98	73	53			
60°C	250	250	250	250	220	176	138	107	62	46				
65°C	250	250	250	172	139	111	88	68	39					
70°C	218	187	159	109	88	70	55	43						
75°C	138	118	100	69	56	44	35							
80°C	87	75	63	43	35	28								
85°C	55	47	40	28	22									
90°C	35	30	25	17										
95°C	22	19	16											
100°C	14	12												
105°C	9													

khrs Max. value limited to 250 000 hours.

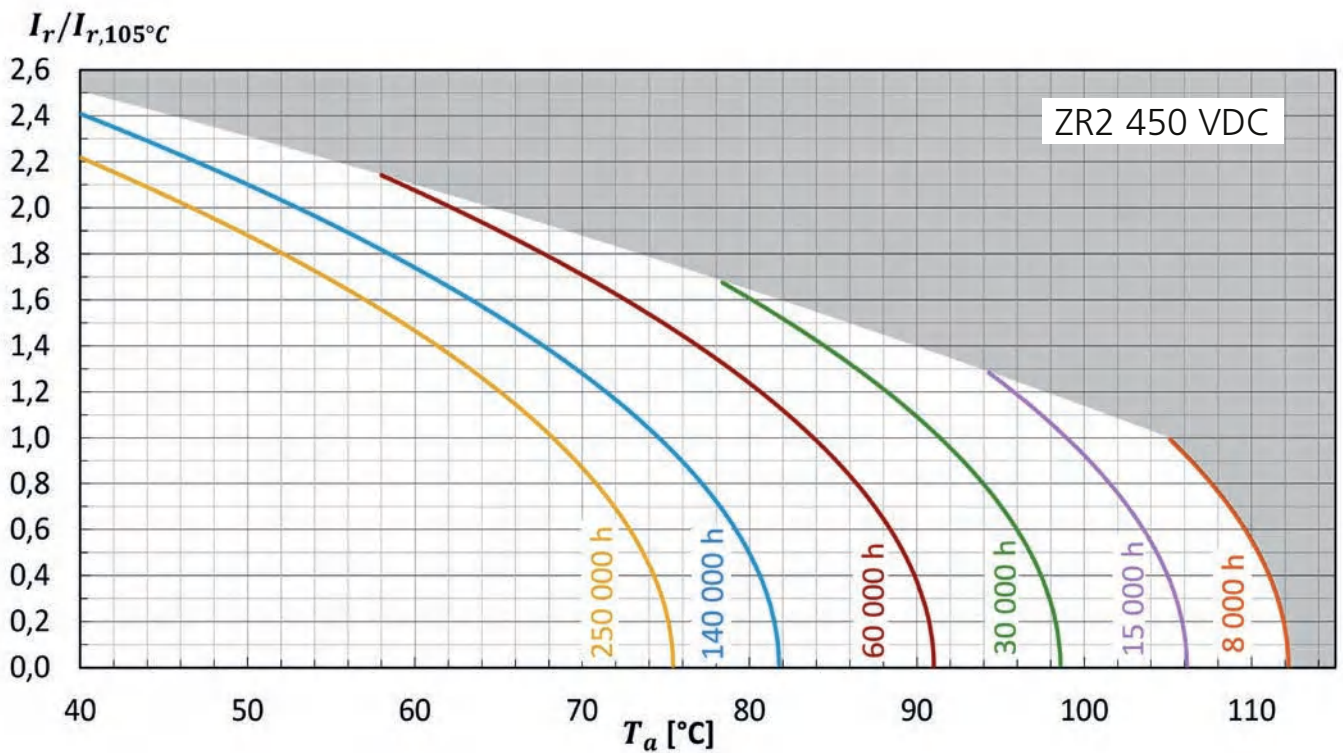
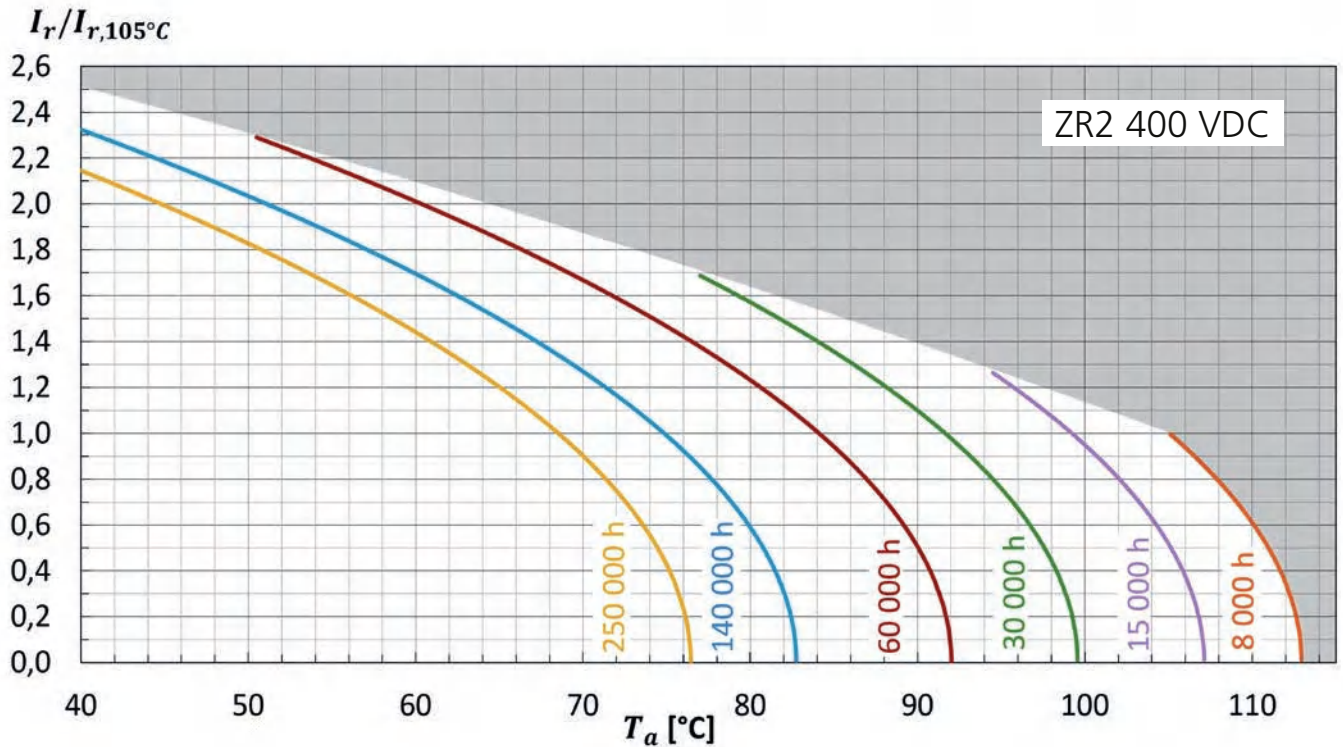
ZR2 450V	Ripple Current Multiplier													
	T _a	1.0	1.1	1.2	1.4	1.5	1.6	1.7	1.8	2.0	2.1	2.2	2.3	2.4
40°C	250	250	250	250	250	250	250	250	250	250	250	196	144	104
45°C	250	250	250	250	250	250	250	250	250	222	167	124	91	
50°C	250	250	250	250	250	250	250	250	184	140	106	78		
55°C	250	250	250	250	250	250	242	192	116	89	67			
60°C	250	250	250	250	233	190	153	121	73	56				
65°C	250	250	250	178	147	120	97	77	46					
70°C	213	185	159	113	93	76	61	49						
75°C	135	117	101	71	59	48	39							
80°C	85	74	64	45	37	30								
85°C	54	47	40	29	24									
90°C	34	30	25	18										
95°C	22	19	16											
100°C	14	12												
105°C	9													

khrs Max. value limited to 250 000 hours.

> Life Time Graph · Brauchbarkeitsdauer – Diagramm

Useful life depending on ambient temperature T_a and ripple current operating conditions I_r versus rated ripple current at the upper category temperature I_{r, 105°C, 120Hz}

Brauchbarkeitsdauer in Abhängigkeit von Umgebungstemperatur T_a und Wechselstrombelastung I_r im Verhältnis zur max. Wechselstrombelastung bei oberer Kategorie-temperatur I_{r, 105°C, 120Hz}



> Life Time Tests and Requirements · Anforderungen Brauchbarkeitsdauer

Life time test	Test procedure	Life time criteria
Endurance test	$T_a = 105^\circ C$; V_r, I_r applied 5000 hours	$\Delta C/C \leq 20\%$ (of initial value) $\tan\delta \leq 200\%$ (of specified value) $I_L \leq$ specified value
Useful life	$T_a = 105^\circ C$; V_r, I_r applied 8000 hours	$\Delta C/C \leq 30\%$ (of initial value) $\tan\delta < 300\%$ (of specified value) $I_L \leq$ specified value

Reference Specification: JIS C 5101-4, JIS C 5102, IEC 60384-4

CU · Snap-In · 6000 h/105 °C

High Ripple Current · Side Vent · Bottom cooling Design

Capacitors of CU series have in average 10% higher ripple current compared with HU3 series. This is reached i.a. by improved heat radiation. The vent is located at the side of the case, vent position is not fixed.

Die CU Serie hat im Durchschnitt eine 10% höhere Wechselstrombelastbarkeit im Vergleich zur HU3 Serie. Dies wird u.a. durch eine optimierte Wärmeabstrahlung erreicht. Das Sicherheitsventil befindet sich seitlich am Becher, die Position ist variabel.

> Specifications · Spezifikationen

Items	Characteristics
Temperature range	-25°C ~ + 105°C
Capacitance tolerance (at 20°C)	Standard +/- 20%, -10%/+30% on request
Surge voltage	Repetitive max. 30 sec per 6 Minutes
Leakage current max. I _l (20°C, 5 min)	0.02 • C • V _r [μA] or 3 mA, which is smaller.
Useful life	6000 hours at 105°C
Field failure rate	0.5 FIT = 0.5 • 10 ⁻⁹ Failures/hour
Reference standards	IEC 60384-4, JIS C 5101-4, AEC-Q200 qualified
Vibration	0.75mm, 10...55Hz, 10g, 3x2h
Sleeve withstanding voltage	3000 Vac/1 min between terminals bundled and plate*
Product Compliance	RoHS, REACH, Conflict Minerals a.o. - refer to p. 12-13

* Typical value using sleeve which is free from any scratches and damages



> Outline Drawings · Bauformen

Refer to page 7 for available terminal shapes and dimensions. · Auf Seite 7 finden Sie die verfügbaren Bauformen und Maße.

> Product Code · Bestellbezeichnung

Example: Series CU · 500 V · 470 μF ±20 % · 35x61 mm · 2-Pin short · without plate

CU	2H	471	M	C	A	S9	WPEC
Type of series	Capacitance code The first two digits are significant. The last digit indicates the number of following zeros in μF.		Terminal symbol code R: 2-claw 6.3 mm S: 4-claw 6.3 mm C: 2-claw short 4.0 mm X: 4-claw short 4.0 mm E: 3-claw short 4.0 mm T: 2-lugs 4,5 mm			Outer design code None: PET sleeve and PVC plate WPEC: PET sleeve without plate Others on request	
Rated voltage code		Capacitance tolerance		Diameter Code		Length code	
Code	Voltage	M : ± 20%		Code	ØD	Code	L*
2G	400	Q : -10% ~ +30%		Z	30	S2	25
2W	450			A	35	S3	30
2H	500			B	40	S4	35
						S5	40
						S6	45
						S7	50
						S9	60
						S13	80
						S17	100

* exact length is mentioned in the product table

Rated VoltageCode (Surge Voltage) V_r [V DC]	Capacitance C_r [μ F]	Ripple Current at 105°C/120Hz I_r [A RMS]	Ripple Current at 40°C/120Hz [A RMS]	ESR (typ) at 20°C/100Hz [m Ω]	Dissipation Factor at 20°C/100Hz Tan δ	DxL [mm]	Product Code # = variable value, see fixing code in the product code
400 VDC Code: 2G Surge Voltage 450 VDC	220	1.57	3.77	320	0.20	30x30	CU2G221M#ZS3
	270	1.79	4.30	260	0.20	30x35	CU2G271M#ZS4
		1.85	4.44	260	0.20	35x31	CU2G271M#AS3
	330	2.03	4.87	210	0.20	30x40	CU2G331M#ZS5
		2.10	5.04	210	0.20	35x36	CU2G331M#AS4
	390	2.28	5.47	190	0.20	30x50	CU2G391M#ZS7
		2.33	5.59	190	0.20	35x41	CU2G391M#AS5
	470	2.77	6.65	160	0.20	30x47	CU2G471Q#ZS6
		2.57	6.17	160	0.20	30x60	CU2G471M#ZS9
		2.61	6.26	160	0.20	35x46	CU2G471M#AS6
	560	2.89	6.94	130	0.20	35x51	CU2G561M#AS7
		2.64	6.34	130	0.20	40x40	CU2G561M#BS5
	680	3.25	7.80	110	0.20	35x61	CU2G681M#AS9
		2.95	7.08	110	0.20	40x45	CU2G681M#BS6
	820	3.95	9.48	80	0.20	35x76	CU2G821M#AS12R
		3.62	8.69	90	0.20	35x81	CU2G821M#AS13
		3.35	8.04	90	0.20	40x61	CU2G821M#BS9
	1 200	4.08	9.79	90	0.20	40x83	CU2G122M#BS13
450 VDC Code: 2W Surge Voltage 500 VDC	150	1.30	3.12	490	0.20	30x30	CU2W151M#ZS3
	180	1.46	3.50	420	0.20	30x35	CU2W181M#ZS4
	220	1.66	3.98	340	0.20	30x40	CU2W221M#ZS5
		1.67	4.01	340	0.20	35x31	CU2W221M#AS3
	270	1.90	4.56	280	0.20	35x36	CU2W271M#AS4
	330	2.10	5.04	230	0.20	30x50	CU2W331M#ZS7
		2.15	5.16	230	0.20	35x41	CU2W331M#AS5
	390	2.34	5.62	200	0.20	30x60	CU2W391M#ZS9
		2.37	5.69	200	0.20	35x46	CU2W391M#AS6
	470	2.64	6.34	160	0.20	35x51	CU2W471M#AS7
		2.42	5.81	160	0.20	40x40	CU2W471M#BS5
	560	2.95	7.08	140	0.20	35x61	CU2W561M#AS9
		2.68	6.43	140	0.20	40x45	CU2W561M#BS6
	680	3.30	7.92	110	0.20	35x81	CU2W681M#AS13
		2.98	7.15	110	0.20	40x50	CU2W681M#BS7
1 000	3.72	8.93	90	0.20	40x83	CU2W102M#BS13	
1 500	4.93	11.83	60	0.20	40x101	CU2W152M#BS17	
500 VDC Code: 2H Surge Voltage 550 VDC	120	1.05	2.52	460	0.20	30x30	CU2H121M#ZS3
	150	1.21	2.90	460	0.20	30x35	CU2H151M#ZS4
	180	1.36	3.26	390	0.20	30x40	CU2H181M#ZS5
		1.40	3.36	390	0.20	35x31	CU2H181M#AS3
	220	1.56	3.74	320	0.20	30x50	CU2H221M#ZS7
		1.59	3.82	320	0.20	35x36	CU2H221M#AS4
	270	1.78	4.27	260	0.20	30x60	CU2H271M#ZS9
		1.80	4.32	260	0.20	35x41	CU2H271M#AS5
	330	2.03	4.87	210	0.20	35x46	CU2H331M#AS6
	390	2.25	5.40	180	0.20	35x51	CU2H391M#AS7
470	2.52	6.05	160	0.20	35x61	CU2H471M#AS9	

Additional designs on request · Weitere Designs auf Anfrage

> Ripple Current Multiplier · Wechselstrommultiplikator

Frequency [Hz]	120				300				1k				≥ 10k			
Multiplier	1.00				1.18				1.34				1.45			

Temperature [°C]	40	45	50	55	60	65	70	75	80	85	90	95	100	105
Multiplier	2.4	2.3	2.2	2.1	2.0	1.9	1.8	1.7	1.5	1.4	1.3	1.2	1.1	1.0

Forced cooling – Wind speed [m/sec]	v < 0.25	v ≥ 0.25	v ≥ 0.5	v ≥ 1.0	v ≥ 2.0	v ≥ 3.0
Multiplier	1.00	1.10	1.15	1.25	1.30	1.35

> Life Time Table · Brauchbarkeitsdauer – Tabelle

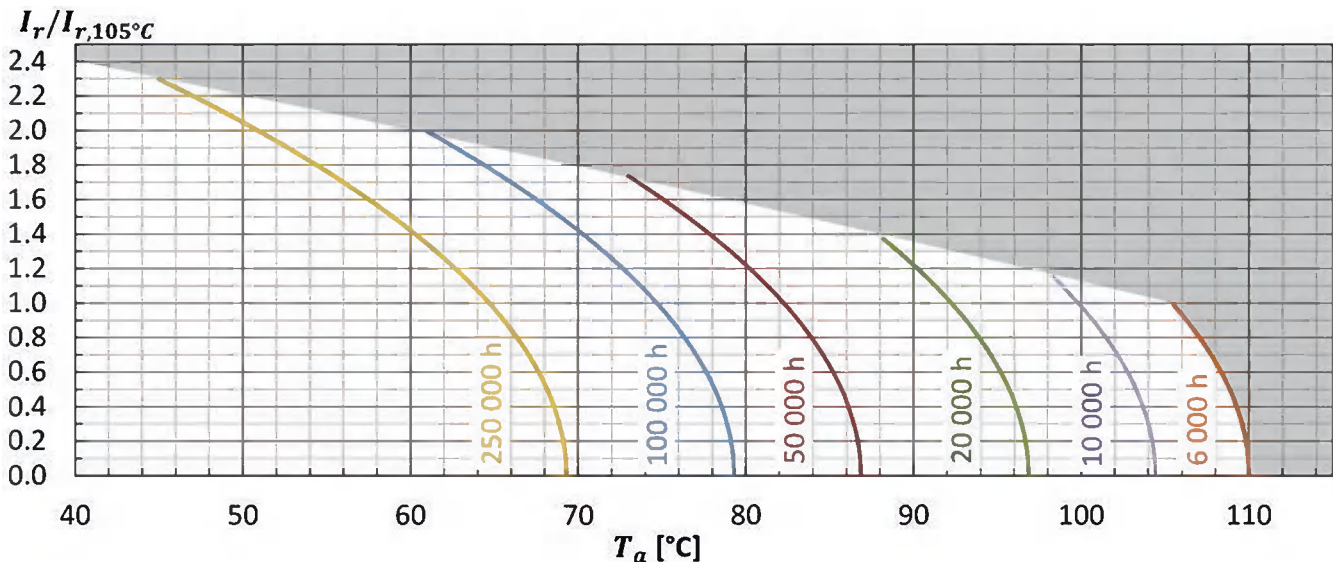
CU	Useful life as function of ambient temperature and ripple current														
	I _r at 105°C	1.0	1.1	1.2	1.3	1.4	1.5	1.7	1.8	1.9	2.0	2.1	2.2	2.3	2.4
T _a = 40°C	250	250	250	250	250	250	250	250	250	250	250	250	250	250	250
T _a = 45°C	250	250	250	250	250	250	250	250	250	250	250	250	250	249	
T _a = 50°C	250	250	250	250	250	250	250	250	250	250	250	228	190		
T _a = 55°C	250	250	250	250	250	250	250	236	202	171	144				
T _a = 60°C	250	250	250	250	250	226	173	149	127	108					
T _a = 65°C	243	222	201	181	162	143	109	94	80						
T _a = 70°C	153	140	127	114	102	90	69	59							
T _a = 75°C	97	89	80	72	64	57	43								
T _a = 80°C	61	56	51	45	41	36									
T _a = 85°C	38	35	32	29	25										
T _a = 90°C	24	22	20	18											
T _a = 95°C	15	14	12												
T _a = 100°C	9	9													
T _a = 105°C	6														

khrs Max. value limited to 250 000 hours.

> Life Time Graph · Brauchbarkeitsdauer – Diagramm

Useful life depending on ambient temperature T_a and ripple current operating conditions I_r versus rated ripple current at the upper category temperature I_{r,105°C,120Hz}

Brauchbarkeitsdauer in Abhängigkeit von Umgebungstemperatur T_a und Wechselstrombelastung I_r im Verhältnis zur max. Wechselstrombelastung bei oberer Kategorie-temperatur I_{r,105°C,120Hz}



> Life Time Tests and Requirements · Anforderungen Brauchbarkeitsdauer

Life time test	Test procedure	Life time criteria
Endurance test	$T_a = 105^{\circ}\text{C}$; V_r, I_r applied 4000 hours	$\Delta C/C \leq 20\%$ (of initial value) $\text{Tan}\delta \leq 200\%$ (of specified value) $I_L \leq$ specified value
Useful life	$T_a = 105^{\circ}\text{C}$; V_r, I_r applied 6000 hours	$\Delta C/C \leq 30\%$ (of initial value) $\text{Tan}\delta < 300\%$ (of specified value) $I_L \leq$ specified value

Reference Specification: JIS C 5101-4, JIS C 5102, IEC 60384-4

Screw Type Series Data

VF · VFL · FX2 · FX3 · HCGW · HCGW2 · HCGW3 · FXW · FXW2
HCGF5 · HCGF6 · VFR · VFLR · VG · VGL · HCGH · VGR · VGLR



AIC*tech*

VF · Screw-Terminal · 6000 h/85 °C

Standard Performances · Bottom cooling design · Smaller Size

Optional design for permanent and deep charge-discharge application with high voltage hub and pulsed operation mode upon request.

Spezielles Design für häufige und tiefe Lade-, Entladeanwendungen mit hohem Spannungshub und Impulsbetrieb auf Anfrage erhältlich.

> Specifications · Spezifikationen

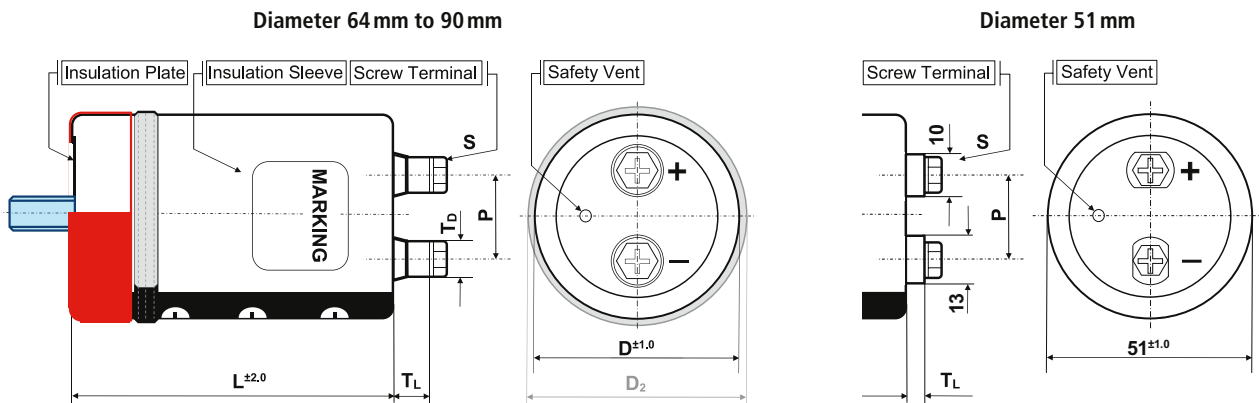
Items	Characteristics
Temperature range	-40°C ~ +85°C (650 VDC: -25°C ~ +85°C)
Capacitance tolerance (at 20°C)	Standard +/- 20%, -10/+30% on request
Surge voltage / Ripple voltage	Repetitive max. 30 sec per 6 Minutes / ≤ 50V
Leakage current max. I _L (20°C, 5 min)	0.01 • C • V, [μA] or 5 mA, which is smaller.
Useful life	6000 hours at 85°C
Field failure rate	0.5 FIT = 0.5 • 10 ⁻⁹ Failures/hour
Reference standards	IEC 60384-4, JIS C 5101-4
Vibration	0.75mm, 10...55Hz, 10g, 3x2h
Outer materials	UL94-V0/UL224-VW1 certified (cap/sleeve)
Sleeve withstanding voltage	4000 Vac/1min between terminals bundled and plate*
Product Compliance	RoHS, REACH, Conflict Minerals a.o. – refer to p. 12–13

* Typical value



> Shape designation · Formbezeichnung

- additional information on p. 10–11 · Zusatzinformationen auf S. 10–11
- mounting accessories from p. 181 · Montagezubehör ab S. 181



Shape code Features	B Bolt	I/Y double sleeve for 2/3 points metal Bracket	N + suffix WC blank bottom + seating ring	N standard
outer insulation sleeve	•	•	•	•
insulation plate	•	•		•
stud bolt	•			
bottom double sleeve		•		
integrated seating ring			•	

diameter code	ØD	available shape	P	S	T _L	T _D	Cap material
C	51	B, N, I, Y	22.0	M5x10	4.5	13/10	PH
D	64	B, N, I, Y	28.6	M5x10	8.0	11	PH
E	77	B, N, I, Y, WC	31.5	M5x10	8.0	11	PH
				M6x12	9.0	12	PH
F	90	B, N, I, Y, WC	31.5	M5x10	7.0	11	PH
				M6x12	8.0	12	PH

Size in mm. First listed terminal is standard.

> Product Code · Bestellbezeichnung

Example: Series VF · 12000 µF +/- 20 % · 400 V · D=90 mm · L= 126 mm with 3 points-Bracket

VF	2G	123	Y	F	126
Series name	Capacitance code	Shape code	Diameter code	Capacitance tolerance	Specific features (e.g. M6 ...)
Rated voltage code					
Code	Voltage	Code	Voltage	Code	Voltage
0J	6.3	1H	50	2D	200
1A	10	1J	63	2E	250
1C	16	1K	80	2V	350
1E	25	2A	100	2G	400
1V	35	2C	160	2W	450

Capacitance tolerance: Ø : ± 20 %
Q : -10 % ~ +30 %

Case length code – length in mm (3 digits)

Rated Voltage Code (Surge Voltage) V _r [V DC]	Capacitance C _r [µF]	Ripple Current at 85°C/120Hz I _r [A RMS]	Ripple Current at 40°C/120Hz [A RMS]	ESR (typ) at 20°C/100Hz [mΩ]	Z _{max} at 20°C/10kHz [mΩ]	ESL (typ) [nH]	Dissipation Factor at 20°C/120Hz Tan δ	DxL [mm]	Product Code # = variable value, see fixing code in the product code
6.3 VDC Code: 0J Surge Voltage 10 VDC	330 000	16.1	43.5	8	9	18	1.50	64x94	VF0J334#D094
	470 000	18.6	50.2	7	8	18	1.80	64x107	VF0J474#D107
	560 000	19.7	53.2	6	7	18	2.40	64x123	VF0J564#D123
		18.3	49.4	6	7	20	2.40	77x95	VF0J664#E095
10 VDC Code: 1A Surge Voltage 16 VDC	330 000	20.1	54.3	5	7	20	2.90	77x108	VF0J684#E108
		17.2	46.4	5	6	18	1.80	64x94	VF1A334#D094
	390 000	18.7	50.5	4	6	18	2.00	64x107	VF1A394#D107
		21.1	57.0	4	6	18	2.30	64x123	VF1A474#D123
	470 000	19.4	52.4	4	6	20	2.30	77x95	VF1A474#E095
		21.0	56.7	3	5	20	3.00	77x108	VF1A564#E108
16 VDC Code: 1C Surge Voltage 25 VDC	560 000	23.8	64.3	3	5	20	3.70	77x124	VF1A684#E124
		22.9	61.8	3	5	20	3.70	90x97	VF1A684#F097
	270 000	16.2	43.7	4	6	18	1.60	64x94	VF1C274#D094
		18.3	49.4	4	6	18	1.80	64x123	VF1C334#D123
25 VDC Code: 1E Surge Voltage 32 VDC	330 000	18.0	48.6	4	6	20	1.80	77x95	VF1C334#E095
		19.5	52.7	4	5	20	2.40	77x108	VF1C394#E108
	470 000	22.0	59.4	3	5	20	2.90	77x124	VF1C474#E124
		21.9	59.1	3	5	20	2.90	90x97	VF1C474#F097
35 VDC Code: 1V Surge Voltage 44 VDC	560 000	23.7	64.0	3	5	20	3.20	90x110	VF1C564#F110
		13.7	37.0	5	6	18	1.20	64x94	VF1E184#D094
	180 000	15.1	40.8	4	5	18	1.20	64x107	VF1E224#D107
		17.2	46.4	4	5	18	1.40	64x123	VF1E274#D123
	270 000	19.2	51.8	4	5	20	1.40	77x95	VF1E334#E095
		20.8	56.2	4	5	20	2.10	77x108	VF1E394#E108
35 VDC Code: 1V Surge Voltage 44 VDC	390 000	23.4	63.2	3	5	20	2.30	77x124	VF1E474#E124
		22.9	61.8	3	5	20	2.30	90x97	VF1E474#F097
	470 000	24.8	67.0	3	4	20	2.30	90x110	VF1E564#F110
		12.9	34.8	5	7	18	1.00	64x94	VF1V124#D094
150 000	14.4	38.9	5	7	18	1.00	64x107	VF1V154#D107	
	16.3	44.0	5	7	18	1.00	64x123	VF1V184#D123	
	15.2	41.0	5	7	20	1.00	77x95	VF1V184#E095	

Additional designs on request · Weitere Designs auf Anfrage

VF · Screw-Terminal · 6000 h/85 °C

Rated VoltageCode (Surge Voltage) V_r [V DC]	Capacitance C_r [μF]	Ripple Current at 85°C/120Hz I_r [A RMS]	Ripple Current at 40°C/120Hz [A RMS]	ESR (typ) at 20°C/100Hz [mΩ]	Zmax at 20°C/10kHz [mΩ]	ESL (typ) [nH]	Dissipation Factor at 20°C/120Hz Tan δ	DxL [mm]	Product Code # = variable value, see fixing code in the product code
35 VDC Code: 1V Surge Voltage 44 VDC	220 000	16.8	45.4	5	7	20	1.20	77x108	VF1V224#E108
	270 000	19.0	51.3	4	6	20	1.20	77x124	VF1V274#E124
		18.8	50.8	4	6	20	1.20	90x97	VF1V274#F097
		20.7	55.9	4	6	20	1.80	90x110	VF1V334#F110
50 VDC Code: 1H Surge Voltage 63 VDC	82 000	12.1	32.7	7	8	18	0.70	64x94	VF1H823#D094
	100 000	13.4	36.2	6	7	18	0.70	64x107	VF1H104#D107
	150 000	16.8	45.4	5	7	18	0.90	64x123	VF1H154#D123
		13.9	37.5	5	7	20	0.90	77x95	VF1H154#E095
	180 000	15.2	41.0	5	6	20	1.40	77x108	VF1H184#E108
	220 000	17.2	46.4	4	6	20	1.50	77x124	VF1H224#E124
		16.5	44.6	4	6	20	1.50	90x97	VF1H224#F097
270 000	18.2	49.1	3	5	20	1.50	90x110	VF1H274#F110	
63 VDC Code: 1J Surge Voltage 80 VDC	56 000	13.3	35.9	8	9	18	0.50	64x94	VF1J563#D094
	68 000	14.6	39.4	7	8	18	0.50	64x107	VF1J683#D107
	82 000	16.5	44.6	7	8	18	0.70	64x123	VF1J823#D123
	100 000	15.5	41.9	7	8	20	0.70	77x95	VF1J104#E095
	120 000	16.9	45.6	6	7	20	1.10	77x108	VF1J124#E108
	150 000	19.3	52.1	6	7	20	1.20	77x124	VF1J154#E124
		18.3	49.4	6	7	20	1.20	90x97	VF1J154#F097
180 000	19.9	53.7	5	6	20	1.20	90x110	VF1J184#F110	
80 VDC Code: 1K Surge Voltage 100 VDC	39 000	12.8	34.6	6	7	18	0.35	64x94	VF1K393#D094
	47 000	14.0	37.8	6	7	18	0.35	64x107	VF1K473#D107
	56 000	15.7	42.4	5	7	18	0.40	64x123	VF1K563#D123
		15.3	41.3	5	7	20	0.40	77x95	VF1K563#E095
	68 000	16.8	45.4	4	7	20	0.40	77x108	VF1K683#E108
	82 000	18.9	51.0	3	6	20	0.60	77x124	VF1K823#E124
		18.1	48.9	3	6	20	0.60	90x97	VF1K823#F097
100 000	19.8	53.5	3	6	20	0.70	90x110	VF1K104#F110	
100 VDC Code: 2A Surge Voltage 125 VDC	22 000	9.6	25.9	8	9	18	0.20	64x94	VF2A223#D094
	33 000	11.7	31.6	6	7	18	0.25	64x107	VF2A333#D107
	39 000	13.1	35.4	5	7	18	0.30	64x123	VF2A393#D123
		12.8	34.6	5	7	20	0.30	77x95	VF2A393#E095
	47 000	14.0	37.8	5	7	20	0.30	77x108	VF2A473#E108
	56 000	15.6	42.1	4	6	20	0.45	77x124	VF2A563#E124
		15.8	42.7	4	6	20	0.45	90x97	VF2A563#F097
	68 000	17.3	46.7	4	6	20	0.50	90x110	VF2A683#F110
	100 000	20.9	56.4	3	5	20	0.45	77x165	VF2A104#E165
22.9		61.8	3	5	20	0.45	90x190	VF2A104#F190	
160 VDC Code: 2C Surge Voltage 200 VDC	12 000	12.3	33.2	12	15	18	0.25	64x94	VF2C123#D094
	15 000	13.7	37.0	11	12	18	0.25	64x107	VF2C153#D107
		15.8	42.7	11	12	18	0.25	77x95	VF2C153#E095
	18 000	15.4	41.6	9	11	18	0.25	64x123	VF2C183#D123
		17.4	47.0	9	11	20	0.25	77x95	VF2C183#E095
	22 000	16.8	45.4	8	8	18	0.25	64x147	VF2C223#D147
	19.1	51.6	8	8	20	0.25	77x108	VF2C223#E108	

Additional designs on request · Weitere Designs auf Anfrage

Rated VoltageCode (Surge Voltage) V_r [V DC]	Capacitance C_r [μ F]	Ripple Current at 85°C/120Hz I_r [A RMS]	Ripple Current at 40°C/120Hz [A RMS]	ESR (typ) at 20°C/100Hz [m Ω]	Zmax at 20°C/10kHz [m Ω]	ESL (typ) [nH]	Dissipation Factor at 20°C/120Hz Tan δ	DxL [mm]	Product Code # = variable value, see fixing code in the product code
160 VDC Code: 2C Surge Voltage 200 VDC	27 000	21.7	58.6	7	8	20	0.25	77x124	VF2C273#E124
		24.6	66.4	7	8	20	0.25	90x97	VF2C273#F097
	33 000	23.5	63.5	6	7	20	0.25	77x148	VF2C333#E148
		27.0	72.9	6	7	20	0.25	90x110	VF2C333#F110
39 000	29.1	78.6	5	7	20	0.25	90x126	VF2C393#F126	
200 VDC Code: 2D Surge Voltage 250 VDC	12 000	12.3	33.2	12	14	18	0.25	64x94	VF2D123#D094
		14.1	38.1	10	13	18	0.25	64x123	VF2D153#D123
	15 000	15.8	42.7	10	13	20	0.25	77x95	VF2D153#E095
		15.2	41.0	8	12	18	0.25	64x147	VF2D183#D147
	18 000	17.3	46.7	8	12	20	0.25	77x108	VF2D183#E108
		19.6	52.9	7	7	20	0.25	77x124	VF2D223#E124
	22 000	22.2	59.9	7	7	20	0.25	90x97	VF2D223#F097
		21.3	57.5	6	7	20	0.25	77x148	VF2D273#E148
	27 000	24.4	65.9	6	7	20	0.25	90x110	VF2D273#F110
		26.7	72.1	5	7	20	0.25	90x126	VF2D333#F126
33 000	24.7	66.7	5	7	20	0.25	77x165	VF2D353#E165	
43 000	30.4	82.1	4	6	20	0.25	90x150	VF2D433#F150	
250 VDC Code: 2E Surge Voltage 300 VDC	8 200	10.2	27.5	15	16	18	0.25	64x94	VF2E822#D94
		11.5	31.1	12	14	18	0.25	64x123	VF2E103#D123
	10 000	12.4	33.5	10	11	18	0.25	64x147	VF2E123#D147
		14.2	38.3	10	11	20	0.25	77x95	VF2E123#E095
	12 000	16.2	43.7	8	11	20	0.25	77x124	VF2E153#E124
		18.3	49.4	8	11	20	0.25	90x97	VF2E153#F097
	15 000	17.4	47.0	7	10	20	0.25	77x148	VF2E183#E148
		19.9	53.7	7	10	20	0.25	90x110	VF2E183#F110
18 000	21.8	58.9	6	8	20	0.25	90x126	VF2E223#F126	
22 000	23.6	63.7	5	6	20	0.25	90x150	VF2E263#F150	
26 000	1 800	7.4	15.6	55	58	17	0.20	51x75	VF2V182#C075
		8.5	17.9	45	47	17	0.20	51x96	VF2V222#C096
	2 200	9.8	20.6	37	39	17	0.20	51x109	VF2V272#C109
		11.2	23.6	30	32	17	0.20	51x125	VF2V332#C125
	2 700	15.1	31.7	21	22	18	0.20	64x94	VF2V472#D094
		16.4	34.4	18	19	18	0.20	64x107	VF2V562#D107
	3 300	18.6	39.1	15	15	18	0.20	64x123	VF2V682#D123
		20.9	43.9	15	15	20	0.20	77x95	VF2V682#E095
	4 700	20.1	42.2	12	15	18	0.20	64x147	VF2V822#D147
		22.9	48.1	12	15	20	0.20	77x108	VF2V822#E108
	5 600	22.9	48.1	10	15	18	0.20	64x187	VF2V103#D187
		25.9	54.4	10	15	20	0.20	77x124	VF2V103#E124
	6 800	29.3	61.5	10	15	20	0.20	90x97	VF2V103#F097
		27.8	58.4	8	13	20	0.20	77x148	VF2V123#E148
8 200	31.7	66.6	8	13	20	0.20	90x126	VF2V123#F126	
	31.9	67.0	7	10	20	0.20	77x188	VF2V153#E188	
10 000	35.2	73.9	7	10	20	0.20	90x150	VF2V153#F150	

Additional designs on request · Weitere Designs auf Anfrage

VF · Screw-Terminal · 6000 h/85 °C

Rated VoltageCode (Surge Voltage) V_r [V DC]	Capacitance C_r [μF]	Ripple Current at 85°C/120Hz I_r [A RMS]	Ripple Current at 40°C/120Hz [A RMS]	ESR (typ) at 20°C/100Hz [mΩ]	Zmax at 20°C/10kHz [mΩ]	ESL (typ) [nH]	Dissipation Factor at 20°C/120Hz Tan δ	DxL [mm]	Product Code # = variable value, see fixing code in the product code
350 VDC Code: 2V Surge Voltage 400 VDC	18 000	36.0	75.6	7	10	20	0.20	77x228	VF2V183#E228
		37.9	79.6	7	10	20	0.20	90x167	VF2V183#F167
	22 000	41.1	86.3	6	9	20	0.20	90x230	VF2V223#F230
	26 000	47.1	98.9	5	7	20	0.20	90x230	VF2V263#F230
	27 000	44.9	94.3	5	7	20	0.20	90x268	VF2V273#F268
	30 000	47.9	100.6	5	7	20	0.20	90x230	VF2V303#F230
400 VDC Code: 2G Surge Voltage 450 VDC	1 500	6.8	14.3	68	73	17	0.20	51x75	VF2G152#C075
	2 200	8.5	17.9	47	50	17	0.20	51x96	VF2G222#C096
	2 700	9.8	20.6	38	41	17	0.20	51x109	VF2G272#C109
	3 300	11.2	23.4	31	34	17	0.20	51x125	VF2G332#C125
		3 900	13.7	28.8	26	28	18	0.20	64x94
	4 700	15.0	31.5	21	22	18	0.20	64x107	VF2G472#D107
		5 600	16.9	35.5	18	19	18	0.20	64x123
	6 800	19.0	39.9	18	19	20	0.20	77x95	VF2G562#E095
		18.3	38.4	15	15	18	0.20	64x147	VF2G682#D147
	8 200	20.8	43.7	15	15	20	0.20	77x108	VF2G682#E108
		20.8	43.7	12	15	18	0.20	64x187	VF2G822#D187
	10 000	23.5	49.4	12	15	20	0.20	77x124	VF2G822#E124
		26.6	55.9	12	15	20	0.20	90x97	VF2G822#F097
	12 000	25.4	53.3	10	15	20	0.20	77x148	VF2G103#E148
		29.1	61.1	10	15	20	0.20	90x110	VF2G103#F110
	15 000	28.5	59.9	8	13	20	0.20	77x188	VF2G123#E188
		31.7	66.6	8	13	20	0.20	90x126	VF2G123#F126
	18 000	32.9	69.1	8	10	20	0.20	77x228	VF2G153#E228
		34.6	72.7	8	10	20	0.20	90x167	VF2G153#F167
	20 000	38.6	81.1	6	9	20	0.20	90x150	VF2G183#F150
		38.2	80.2	6	9	20	0.20	90x190	VF2G183#F190
	22 000	37.9	79.6	6	9	20	0.20	77x228	VF2G203#E228
		42.2	88.6	5	7	20	0.20	90x190	VF2G223#F190
	25 000	41.1	86.3	5	7	20	0.20	90x230	VF2G223#F230
43.8		92.0	5	7	20	0.20	90x230	VF2G253#F230	
29 000	47.1	98.9	4	6	20	0.20	90x230	VF2G293#F230S	
34 000	54.4	114.2*	4	6	20	0.20	90x268	VF2G343#F268	
450 VDC Code: 2W Surge Voltage 500 VDC	1 200	6.3	13.3	86	90	17	0.20	51x75	VF2W122#C075
	1 500	7.5	15.8	69	72	17	0.20	51x96	VF2W152#C096
	1 800	8.4	17.7	57	60	17	0.20	51x109	VF2W182#C109
	2 200	9.4	19.8	47	50	17	0.20	51x125	VF2W222#C125
	2 700	11.7	24.6	38	40	18	0.20	64x94	VF2W272#D094
	3 300	12.9	27.1	30	35	18	0.20	64x107	VF2W332#D107
		14.5	30.5	27	32	18	0.20	64x123	VF2W392#D123
	3 900	16.2	34.0	27	32	20	0.20	77x95	VF2W392#E095
		17.8	37.4	21	21	20	0.20	77x108	VF2W472#E108
	5 600	17.0	35.7	20	20	18	0.20	64x147	VF2W562#D147
		19.9	41.8	20	20	20	0.20	77x124	VF2W562#E124
	22.5	47.3	20	20	20	0.20	90x97	VF2W562#F097	

Additional designs on request · Weitere Designs auf Anfrage

Rated VoltageCode (Surge Voltage) V_r [V DC]	Capacitance C_r [μ F]	Ripple Current at 85°C/120Hz I_r [A RMS]	Ripple Current at 40°C/120Hz [A RMS]	ESR (typ) at 20°C/100Hz [m Ω]	Zmax at 20°C/10kHz [m Ω]	ESL (typ) [nH]	Dissipation Factor at 20°C/120Hz Tan δ	DxL [mm]	Product Code # = variable value, see fixing code in the product code
450 VDC Code: 2W Surge Voltage 500 VDC	6 200	20.4	42.8	17	19	20	0.20	77x108	VF2W622#E108
		19.4	40.7	15	18	18	0.20	64x187	VF2W682#D187
	6 800	21.4	44.9	15	18	20	0.20	77x148	VF2W682#E148
		24.6	51.7	15	18	20	0.20	90x110	VF2W682#F110
	8 200	24.0	50.4	14	16	20	0.20	77x165	VF2W822#E165
		26.8	56.3	14	16	20	0.20	90x126	VF2W822#F126
	10 000	26.7	56.1	10	15	20	0.20	77x188	VF2W103#E188
		29.4	61.7	10	15	20	0.20	90x150	VF2W103#F150
	12 000	29.2	61.3	9	12	20	0.15	77x188	VF2W123#E188
		30.2	63.4	9	12	20	0.20	77x228	VF2W123#E228
	15 000	31.7	66.6	9	12	20	0.20	90x167	VF2W123#F167
		35.7	75.0	7	10	20	0.20	90x190	VF2W153#F190
	18 000	38.1	80.0	6	9	20	0.20	90x230	VF2W183#F230
	20 000	40.1	84.2	6	8	20	0.20	90x230	VF2W203#F230
22 000	41.6	87.4	5	7	20	0.20	90x268	VF2W223#F268	
500 VDC Code: 2H Surge Voltage 550 VDC	820	4.7	9.9	117	110	17	0.20	51x75	VF2H821#C075
	1 000	5.6	11.8	96	90	17	0.20	51x96	VF2H102#C096
	1 200	6.3	13.3	80	75	17	0.20	51x109	VF2H122#C109
	1 500	7.2	15.2	64	60	17	0.20	51x125	VF2H152#C125
	1 800	9.1	19.1	53	50	18	0.20	64x94	VF2H182#D094
	2 200	10.0	21.0	40	35	18	0.20	64x107	VF2H222#D107
		11.4	23.9	37	33	18	0.20	64x123	VF2H272#D123
	2 700	12.9	27.1	37	33	20	0.20	77x95	VF2H272#E095
		12.4	26.0	36	32	18	0.20	64x147	VF2H332#D147
	3 300	14.2	29.8	36	32	20	0.20	77x108	VF2H332#E108
		13.9	29.2	27	29	18	0.20	64x164	VF2H392#D164
	3 900	15.8	33.2	27	29	20	0.20	77x124	VF2H392#E124
		17.9	37.6	27	29	20	0.20	90x97	VF2H392#F097
	4 700	15.4	32.3	25	25	18	0.20	64x187	VF2H472#D187
		17.0	35.7	25	25	20	0.20	77x148	VF2H472#E148
	5 600	19.5	41.0	25	25	20	0.20	90x110	VF2H472#F110
		18.9	39.7	23	21	20	0.20	77x165	VF2H562#E165
	6 800	21.1	44.3	23	21	20	0.20	90x126	VF2H562#F126
		20.9	43.9	20	18	20	0.20	77x188	VF2H682#E188
	8 200	23.1	48.5	20	18	20	0.20	90x150	VF2H682#F150
		23.8	50.0	17	16	20	0.20	77x228	VF2H822#E228
10 000	25.0	52.5	17	16	20	0.20	90x167	VF2H822#F167	
	27.8	58.4	14	16	20	0.20	90x190	VF2H103#F190	
12 000	29.6	62.2	12	14	20	0.20	90x230	VF2H123#F230	
14 000	31.9	67.0	11	12	20	0.20	90x230	VF2H143#F230	
15 000	32.7	68.7	10	12	20	0.20	90x268	VF2H153#F268	
550 VDC Code: 2L Surge Voltage 600 VDC	560	3.9	8.2	200	215	17	0.20	51x75	VF2L561#C075
	680	4.5	9.5	165	177	17	0.20	51x96	VF2L681#C096
	820	5.1	10.8	137	147	17	0.20	51x109	VF2L821#C109
	1 000	5.9	12.4	112	120	17	0.20	51x125	VF2L102#C125

Additional designs on request · Weitere Designs auf Anfrage

VF · Screw-Terminal · 6000 h/85 °C

Rated VoltageCode (Surge Voltage) V_r [V DC]	Capacitance C_r [μ F]	Ripple Current at 85°C/120Hz I_r [A RMS]	Ripple Current at 40°C/120Hz [A RMS]	ESR (typ) at 20°C/100Hz [m Ω]	Zmax at 20°C/10kHz [m Ω]	ESL (typ) [nH]	Dissipation Factor at 20°C/120Hz Tan δ	DxL [mm]	Product Code # = variable value, see fixing code in the product code
550 VDC Code: 2L Surge Voltage 600 VDC	1 200	7.2	15.1	93	100	18	0.20	64x94	VF2L122#D094
	1 500	8.1	17.0	74	80	18	0.20	64x107	VF2L152#D107
	1 800	9.1	19.1	61	50	18	0.20	64x123	VF2L182#D123
		10.3	21.6	61	50	20	0.20	77x95	VF2L182#E095
	2 200	9.9	20.8	53	50	18	0.20	64x147	VF2L222#D147
		11.3	23.7	53	50	20	0.20	77x108	VF2L222#E108
	2 700	11.3	23.7	40	35	18	0.20	64x164	VF2L272#D164
		14.5	30.5	40	35	20	0.20	90x97	VF2L272#E097
	3 300	12.6	26.5	38	32	18	0.20	64x187	VF2L332#D187
		14.2	29.8	38	32	20	0.20	77x124	VF2L332#E124
		16.0	33.6	38	32	20	0.20	90x110	VF2L332#F110
	3 900	15.4	32.3	30	27	20	0.20	77x165	VF2L392#E165
		17.2	36.1	30	27	20	0.20	90x126	VF2L392#F126
	4 700	17.0	35.7	25	20	20	0.20	77x188	VF2L472#E188
		18.8	39.5	25	20	20	0.20	90x150	VF2L472#F150
	5 600	19.2	40.3	20	17	20	0.20	77x228	VF2L562#E228
		20.2	42.4	20	17	20	0.20	90x167	VF2L562#F167
	6 800	22.4	47.0	17	17	20	0.20	90x190	VF2L682#F190
	8 200	23.9	50.2	14	14	20	0.20	90x230	VF2L822#F230
	10 000	26.1	54.8	12	12	20	0.20	90x268	VF2L103#F268
600 VDC Code: 600V Surge Voltage 650 VDC	560	2.9	6.1	225	169	17	0.20	51x75	VF600V561#C075
	680	3.4	7.2	186	139	17	0.20	51x96	VF600V681#C096
	820	3.9	8.2	154	116	17	0.20	51x109	VF600V821#C109
	1 000	4.4	9.3	126	95	17	0.20	51x125	VF600V102#C125
	1 500	8.7	18.3	84	63	18	0.20	64x107	VF600V152#D107
	1 800	9.8	20.6	70	53	18	0.20	64x123	VF600V182#D123
		11.0	23.1	70	53	20	0.20	77x95	VF600V182#E095
	2 200	10.6	22.3	58	44	18	0.20	64x147	VF600V222#D147
		12.1	25.4	58	44	20	0.20	77x108	VF600V222#E108
	2 700	12.1	25.4	47	35	18	0.20	64x164	VF600V272#D164
		13.8	29.0	47	35	20	0.20	77x124	VF600V272#E124
		15.6	32.8	47	35	20	0.20	90x97	VF600V272#F097
	3 300	13.5	28.4	39	29	18	0.20	64x187	VF600V332#D187
		14.9	31.3	39	29	20	0.20	77x148	VF600V332#E148
		17.1	35.9	39	29	20	0.20	90x110	VF600V332#F110
	3 900	16.5	34.7	33	25	20	0.20	77x165	VF600V392#E165
		18.5	38.9	33	25	20	0.20	90x126	VF600V392#F126
	4 700	18.3	38.4	27	20	20	0.20	77x188	VF600V472#E188
		20.2	42.4	27	20	20	0.20	90x150	VF600V472#F150
	5 600	20.6	43.3	23	17	20	0.20	77x228	VF600V562#E228
21.6		45.4	23	17	20	0.20	90x167	VF600V562#F167	
6 800	23.4	49.1	19	14	20	0.20	90x230	VF600V682#F230	

Additional designs on request · Weitere Designs auf Anfrage

Rated VoltageCode (Surge Voltage) V_r [V DC]	Capacitance C_r [μ F]	Ripple Current at 85°C/120Hz I_r [A RMS]	Ripple Current at 40°C/120Hz [A RMS]	ESR (typ) at 20°C/100Hz [m Ω]	Zmax at 20°C/10kHz [m Ω]	ESL (typ) [nH]	Dissipation Factor at 20°C/120Hz Tan δ	DxL [mm]	Product Code # = variable value, see fixing code in the product code
650 VDC Code: 650V Surge Voltage 700 VDC	820	6.3	13.3	157	118	22	0.20	64x94	VF650V821#D094
	1 000	6.9	14.5	129	97	22	0.20	64x107	VF650V102#D107
	1 200	7.8	16.4	107	81	22	0.20	64x123	VF650V122#D123
		8.8	18.5	107	81	24	0.20	77x95	VF650V122#E095
	1 500	8.6	18.1	86	65	22	0.20	64x147	VF650V152#D147
		9.8	20.6	86	65	24	0.20	77x108	VF650V152#E108
		11.3	23.8	86	65	24	0.20	90x97	VF650V152#F097
	1 800	11.0	23.1	71	54	24	0.20	77x124	VF650V182#E124
		12.3	25.8	71	54	24	0.20	90x110	VF650V182#F110
	2 200	11.9	25.0	58	44	24	0.20	77x148	VF650V222#E148
		13.5	28.4	58	44	24	0.20	90x126	VF650V222#F126
	3 300	16.4	34.4	39	32	24	0.20	90x150	VF650V332#F150

* Please contact us if load condition exceeds terminals related $I_{r,max}$ referred on page 11

Additional designs on request · Weitere Designs auf Anfrage

> Ripple Current Multiplier · Wechselstrommultiplikator

Frequency [Hz]	50/60	120	300	1k	≥ 10k
Multiplier	0.80	1.00	1.18	1.34	1.45

Ta (°C)	40	45	50	55	60	65	70	75	80	85
Multiplier 6.3-100VDC	2.7	2.6	2.4	2.3	2.2	2.0	1.7	1.4	1.2	1.0
Multiplier 160-250VDC	2.7	2.5	2.3	2.2	2.1	1.9	1.6	1.3	1.1	1.0
Multiplier 350-650VDC	2.1	2.0	1.9	1.8	1.7	1.5	1.3	1.2	1.1	1.0

Forced cooling – Wind speed [m/sec]	v < 0.25	v ≥ 0.25	v ≥ 0.5	v ≥ 1.0	v ≥ 2.0	v ≥ 3.0
Multiplier	1.00	1.07	1.15	1.25	1.30	1.35

> Life Time Table · Brauchbarkeitsdauer – Tabelle

VF 6.3-100VDC	Useful life as function of ambient temperature and ripple current											
I_r at 85°C	x 1.0	x 1.1	x 1.2	x 1.3	x 1.4	x 1.5	x 1.7	x 2.0	x 2.2	x 2.4	x 2.6	x 2.7
$T_a = 40^\circ\text{C}$	250	250	250	250	250	250	241	178	141	109	83	72
$T_a = 45^\circ\text{C}$	250	242	227	212	197	182	152	112	89	69	52	
$T_a = 50^\circ\text{C}$	162	153	143	134	124	115	96	71	56	43		
$T_a = 55^\circ\text{C}$	102	96	91	84	78	72	61	45	35			
$T_a = 60^\circ\text{C}$	64	61	57	53	49	46	38	28	22			
$T_a = 65^\circ\text{C}$	41	38	36	33	31	29	24	18				
$T_a = 70^\circ\text{C}$	25	24	23	21	19	18	15					
$T_a = 75^\circ\text{C}$	16	15	14	13	12							
$T_a = 80^\circ\text{C}$	10	9	9									
$T_a = 85^\circ\text{C}$	6											

khrs Max. value limited to 250 000 hours.

VF 160-250VDC	Useful life as function of ambient temperature and ripple current											
I_r at 85°C	x 1.0	x 1.1	x 1.2	x 1.3	x 1.4	x 1.5	x 1.7	x 1.9	x 2.1	x 2.3	x 2.5	x 2.7
$T_a = 40^\circ\text{C}$	250	250	250	250	250	250	203	156	116	84	59	40
$T_a = 45^\circ\text{C}$	250	237	218	199	180	162	128	98	73	53	37	
$T_a = 50^\circ\text{C}$	162	150	138	126	114	102	81	62	46	33		
$T_a = 55^\circ\text{C}$	102	95	87	79	72	64	51	39	29			
$T_a = 60^\circ\text{C}$	64	60	55	50	45	41	32	24	18			
$T_a = 65^\circ\text{C}$	41	38	34	31	28	25	20	15				
$T_a = 70^\circ\text{C}$	25	24	22	20	18	16						
$T_a = 75^\circ\text{C}$	16	15	13	12								
$T_a = 80^\circ\text{C}$	10	9										
$T_a = 85^\circ\text{C}$	6											

khrs Max. value limited to 250 000 hours.

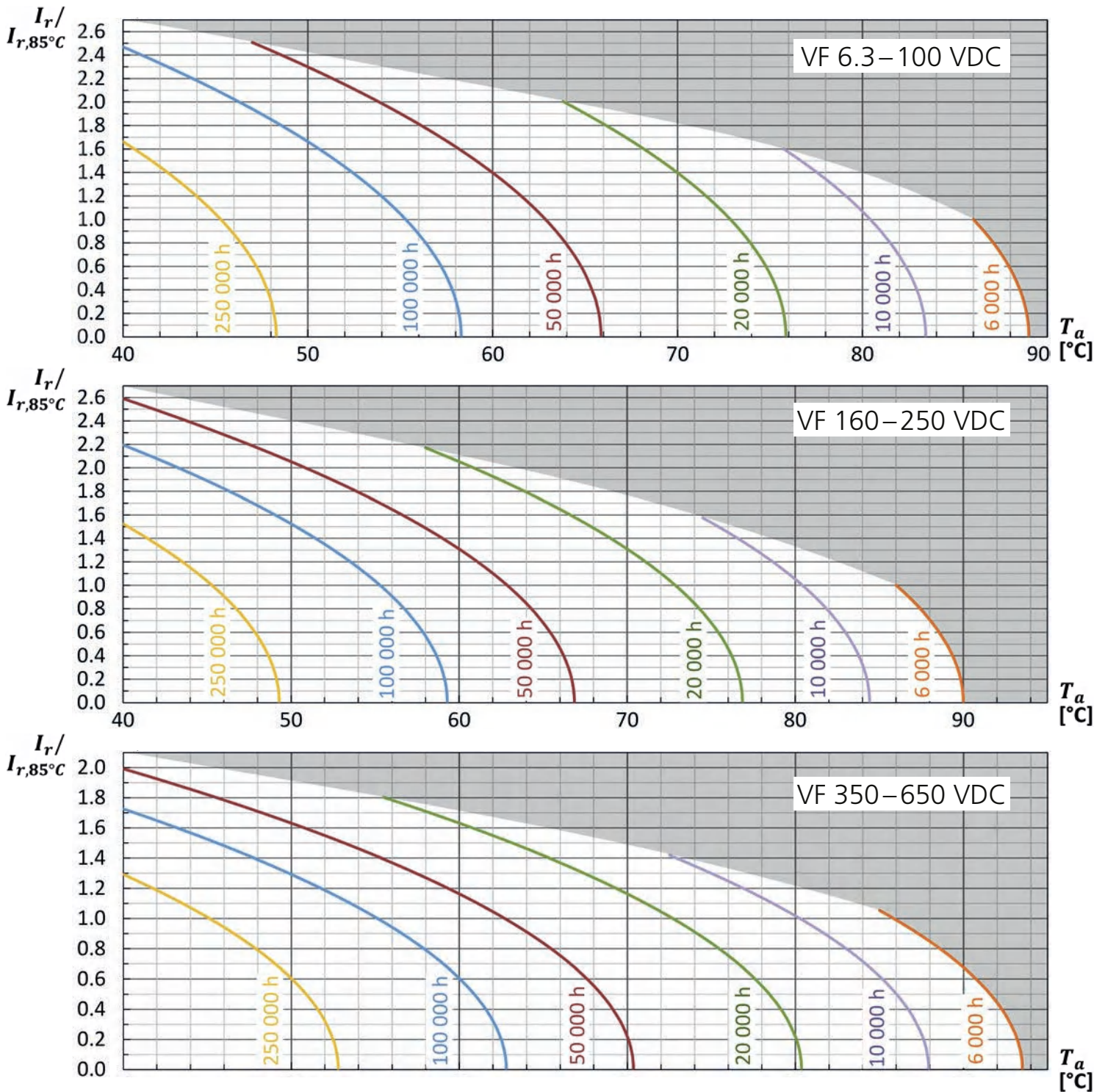
VF 350-650VDC	Useful life as function of ambient temperature and ripple current											
I_r at 85°C	x 1.0	x 1.1	x 1.2	x 1.3	x 1.4	x 1.5	x 1.6	x 1.7	x 1.8	x 1.9	x 2.0	x 2.1
$T_a = 40^\circ\text{C}$	250	250	250	246	204	166	134	106	83	64	48	36
$T_a = 45^\circ\text{C}$	250	218	186	156	129	105	84	67	52	40	30	
$T_a = 50^\circ\text{C}$	160	138	117	98	81	66	53	42	33	25		
$T_a = 55^\circ\text{C}$	101	87	74	62	51	42	33	26	21			
$T_a = 60^\circ\text{C}$	64	55	47	39	32	26	21	17				
$T_a = 65^\circ\text{C}$	40	34	29	24	20	16						
$T_a = 70^\circ\text{C}$	25	22	18	15								
$T_a = 75^\circ\text{C}$	16	13	11									
$T_a = 80^\circ\text{C}$	10	8										
$T_a = 85^\circ\text{C}$	6											

khrs Max. value limited to 250 000 hours.

> Life Time Graph · Brauchbarkeitsdauer – Diagramm

Useful life depending on ambient temperature T_a and ripple current operating conditions I_r versus rated ripple current at the upper category temperature $I_{r, 85^\circ\text{C}, 120\text{Hz}}$

Brauchbarkeitsdauer in Abhängigkeit von Umgebungstemperatur T_a und Wechselstrombelastung I_r im Verhältnis zur max. Wechselstrombelastung bei oberer Kategorie-temperatur $I_{r, 85^\circ\text{C}, 120\text{Hz}}$



> Life Time Tests and Requirements · Anforderungen Brauchbarkeitsdauer

Life time test	Test procedure	Life time criteria
Endurance test	$T_a = 85^\circ\text{C}$; V_r , I_r applied 4000 hours	$\Delta C/C \leq 10\%$ (of initial value) $\text{Tan}\delta \leq 175\%$ (of specified value) $I_L \leq$ specified value
Useful life	$T_a = 85^\circ\text{C}$; V_r , I_r applied 6000 hours	$\Delta C/C \leq 15\%$ (of initial value) $\text{Tan}\delta < 200\%$ (of specified value) $I_L \leq$ specified value

Reference Specification: JIS C 5101-4, JIS C 5102, IEC 60384-4

VFL · Screw-Terminal · 12000 h/85 °C

Long Life · Bottom cooling design · Smaller Size

Optional design for permanent and deep charge-discharge application with high voltage hub and pulsed operation mode upon request.

Spezielles Design für häufige und tiefe Lade-, Entladeanwendungen mit hohem Spannungshub und Impulsbetrieb auf Anfrage erhältlich.

> Specifications · Spezifikationen

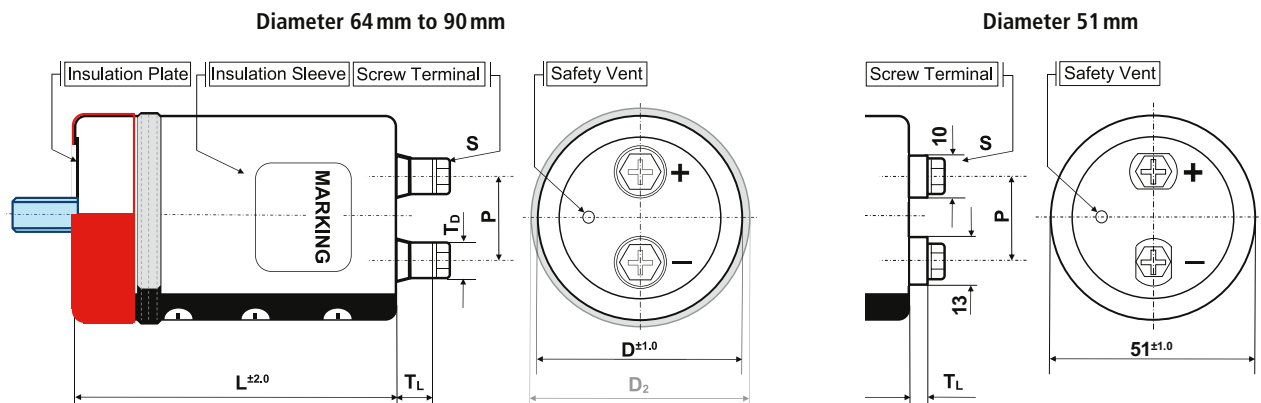
Items	Characteristics
Temperature range	-40°C ~ + 85°C
Capacitance tolerance (at 20°C)	Standard +/- 20%, -10/+30% on request
Surge voltage / Ripple voltage	Repetitive max. 30 sec per 6 Minutes / ≤ 50V
Leakage current max. I _L (20°C, 5 min)	0.01 • C • V, [μA] or 5 mA, which is smaller.
Useful life	12 000 hours at 85°C
Field failure rate	0.5 FIT = 0.5 • 10 ⁻⁹ Failures/hour
Reference standards	IEC 60384-4, JIS C 5101-4
Vibration	0.75mm, 10...55Hz, 10g, 3x2h
Outer materials	UL94-V0/UL224-VW1 certified (cap/sleeve)
Sleeve withstanding voltage	4000 Vac/1min between terminals bundled and plate*
Product Compliance	RoHS, REACH, Conflict Minerals a.o. – refer to p. 12–13

* Typical value



> Shape designation · Formbezeichnung

- additional information on p. 10–11 · Zusatzinformationen auf S. 10–11
- mounting accessories from p. 181 · Montagezubehör ab S. 181



Shape code Features	B Bolt	I/Y double sleeve for 2/3 points metal Bracket	N + suffix WC blank bottom + seating ring	N standard
outer insulation sleeve	•	•	•	•
insulation plate	•	•		•
stud bolt	•			
bottom double sleeve		•		
integrated seating ring			•	

diameter code	ØD	available shape	P	S	T _L	T _D	Cap material
C	51	B, N, I, Y	22.0	M5x10	4.5	13/10	PH
D	64	B, N, I, Y	28.6	M5x10	8.0	11	PH
E	77	B, N, I, Y, WC	31.5	M5x10	8.0	11	PH
				M6x12	9.0	12	PH
F	90	B, N, I, Y, WC	31.5	M5x10	7.0	11	PH
				M6x12	8.0	12	PH

Size in mm. First listed terminal is standard.

> Product Code · Bestellbezeichnung

Example: Series VFL · 12000 µF +/- 20 % · 400 V · D=90 mm · L= 150 mm with Y-Bracket

VFL	2G	123	Y	F	150
Series name	Capacitance code		Shape code	Diameter code	Capacitance tolerance
Rated voltage code					
Code	Voltage	Code	Voltage	Code	Voltage
2V	350	2W	450	2L	550
2G	400	2H	500	600V	600
					Ø : ± 20 % Q : -10 % ~ +30 %
					Specific features (e.g. M6 ...)
Case length code – length in mm (3 digits)					

Rated Voltage Code (Surge Voltage) V_r [V DC]	Capacitance C_r [µF]	Ripple Current at 85°C/120Hz I_r [A RMS]	Ripple Current at 40°C/120Hz [A RMS]	ESR (typ) at 20°C/100Hz [mΩ]	Zmax at 20°C/10kHz [mΩ]	ESL (typ) [nH]	Dissipation Factor at 20°C/120Hz $\tan \delta$	DxL [mm]	Product Code # = variable value, see fixing code in the product code
350 VDC Code: 2V Surge Voltage 400 VDC	1 800	7.4	15.6	55	58	17	0.20	51x75	VFL2V182#C075
	2 200	8.5	17.9	45	47	17	0.20	51x96	VFL2V222#C096
	2 700	9.8	20.6	37	39	17	0.20	51x109	VFL2V272#C109
	3 300	11.2	23.6	30	32	17	0.20	51x125	VFL2V332#C125
	4 700	15.1	31.7	21	22	18	0.20	64x94	VFL2V472#D094
	5 600	16.9	35.5	18	19	18	0.20	64x107	VFL2V562#D107
	6 800	18.7	39.3	15	15	18	0.20	64x123	VFL2V682#D123
		20.9	43.9	15	15	20	0.20	77x95	VFL2V682#E095
	8 200	20.2	42.4	12	15	18	0.20	64x147	VFL2V822#D147
		22.9	48.1	12	15	20	0.20	77x108	VFL2V822#E108
	10 000	26.5	55.7	12	15	20	0.20	90x97	VFL2V822#F097
		22.9	48.1	10	15	18	0.20	64x187	VFL2V103#D187
		25.9	54.4	10	15	20	0.20	77x124	VFL2V103#E124
		29.3	61.5	10	15	20	0.20	90x97	VFL2V103#F097
	12 000	27.8	58.4	8	13	20	0.20	77x148	VFL2V123#E148
		31.7	66.6	8	13	20	0.20	90x126	VFL2V123#F126
	15 000	31.9	67.0	7	10	20	0.20	77x188	VFL2V153#E188
		35.2	73.9	7	10	20	0.20	90x150	VFL2V153#F150
18 000	36.0	75.6	7	10	20	0.20	77x228	VFL2V183#E228	
	37.9	79.6	7	10	20	0.20	90x167	VFL2V183#F167	
22 000	41.1	86.3	6	9	20	0.20	90x230	VFL2V223#F230	
27 000	43.0	90.3	5	7	20	0.20	90x268	VFL2V273#F268	
400 VDC Code: 2G Surge Voltage 450 VDC	1 500	6.8	14.3	68	73	17	0.20	51x75	VFL2G152#C075
	1 800	7.9	16.6	57	61	17	0.20	51x96	VFL2G182#C096
	2 200	9.1	19.2	47	50	17	0.20	51x109	VFL2G222#C109
	2 700	10.2	21.5	38	41	17	0.20	51x125	VFL2G272#C125
	3 300	12.7	26.7	30	31	18	0.20	64x94	VFL2G332#D094
	3 900	13.8	29.0	26	28	18	0.20	64x94	VFL2G392#D094
	4 700	15.5	32.6	21	22	18	0.20	64x107	VFL2G472#D107
	5 600	16.9	35.5	18	19	18	0.20	64x123	VFL2G562#D123
		19.0	39.9	18	19	20	0.20	77x95	VFL2G562#E095
	6 800	18.4	38.6	15	15	18	0.20	64x147	VFL2G682#D147
		20.8	43.7	15	15	20	0.20	77x108	VFL2G682#E108
		24.2	50.8	15	15	18	0.20	90x97	VFL2G682#F097

Additional designs on request · Weitere Designs auf Anfrage

VFL · Screw-Terminal · 12000 h/85 °C

Rated VoltageCode (Surge Voltage) V_r [V DC]	Capacitance C_r [μ F]	Ripple Current at 85°C/120Hz I_r [A RMS]	Ripple Current at 40°C/120Hz [A RMS]	ESR (typ) at 20°C/100Hz [m Ω]	Zmax at 20°C/10kHz [m Ω]	ESL (typ) [nH]	Dissipation Factor at 20°C/120Hz Tan δ	DxL [mm]	Product Code # = variable value, see fixing code in the product code	
400 VDC Code: 2G Surge Voltage 450 VDC	8 200	20.8	43.7	12	15	18	0.20	64x187	VFL2G822#D187	
		23.5	49.4	12	15	20	0.20	77x124	VFL2G822#E124	
		26.6	55.9	12	15	20	0.20	90x97	VFL2G822#F097	
	10 000	25.4	53.3	10	15	20	0.20	77x148	VFL2G103#E148	
		28.9	60.7	10	15	20	0.20	90x126	VFL2G103#F126	
		28.5	59.9	8	13	20	0.20	77x188	VFL2G123#E188	
	12 000	31.3	65.7	8	13	20	0.20	90x143	VFL2G123#F143	
		31.5	66.2	8	13	20	0.20	90x150	VFL2G123#F150	
		32.9	69.1	8	10	20	0.20	77x228	VFL2G153#E228	
	15 000	35.2	73.9	8	10	20	0.20	90x150	VFL2G153#F150	
		37.2	78.1	6	9	20	0.20	90x230	VFL2G183#F230	
	22 000	38.9	81.7	5	7	20	0.20	90x268	VFL2G223#F268	
	450 VDC Code: 2W Surge Voltage 500 VDC	1 200	6.3	13.3	86	90	17	0.20	51x75	VFL2W122#C075
		1 500	7.5	15.8	69	72	17	0.20	51x96	VFL2W152#C096
1 800		8.4	17.7	57	60	17	0.20	51x109	VFL2W182#C109	
2 200		9.4	19.8	47	50	17	0.20	51x125	VFL2W222#C125	
2 700		11.7	24.6	38	40	18	0.20	64x94	VFL2W272#D094	
3 300		13.3	27.9	30	35	18	0.20	64x107	VFL2W332#D107	
		14.9	31.3	30	33	18	0.20	77x95	VFL2W332#E095	
3 900		14.5	30.5	27	32	18	0.20	64x123	VFL2W392#D123	
		16.2	34.0	27	32	20	0.20	77x95	VFL2W392#E095	
4 700		15.6	32.8	21	21	18	0.20	64x147	VFL2W472#D147	
		17.8	37.4	21	21	20	0.20	77x108	VFL2W472#E108	
5 600		17.5	36.8	20	20	18	0.20	64x164	VFL2W562#D164	
		19.9	41.8	20	20	20	0.20	77x124	VFL2W562#E124	
		22.5	47.3	20	20	20	0.20	90x97	VFL2W562#F097	
6 300		21.2	44.3	18	19	20	0.20	77x139	VFL2W632#E139	
		19.4	40.7	15	18	18	0.20	64x187	VFL2W682#D187	
6 800		21.4	44.9	15	18	20	0.20	77x148	VFL2W682#E148	
		24.6	51.7	15	18	20	0.20	90x110	VFL2W682#F110	
		24.0	50.4	14	16	20	0.20	77x165	VFL2W822#E165	
8 200		26.8	56.3	14	16	20	0.20	90x126	VFL2W822#F126	
		26.7	56.1	10	15	20	0.20	77x188	VFL2W103#E188	
10 000		29.4	61.7	10	15	20	0.20	90x150	VFL2W103#F150	
		30.2	63.4	9	12	20	0.20	77x228	VFL2W123#E228	
12 000		31.7	67.0	9	12	20	0.20	90x167	VFL2W123#F167	
	34.8	73.1	7	10	20	0.20	90x230	VFL2W153#F230		
15 000	37.0	77.7	6	8	20	0.20	90x230	VFL2W173#F230		
18 000	37.6	79.0	6	8	20	0.20	90x268	VFL2W183#F268		
500 VDC Code: 2H Surge Voltage 550 VDC	820	4.7	9.9	117	110	17	0.20	51x75	VFL2H821#C075	
	1 000	5.6	11.8	96	90	17	0.20	51x96	VFL2H102#C096	
	1 200	6.3	13.3	80	75	17	0.20	51x109	VFL2H122#C109	
	1 500	7.2	15.2	64	60	17	0.20	51x125	VFL2H152#C125	
	1 800	9.1	19.1	53	50	18	0.20	64x94	VFL2H182#D094	

Additional designs on request · Weitere Designs auf Anfrage

Rated VoltageCode (Surge Voltage) V_r [V DC]	Capacitance C_r [μ F]	Ripple Current at 85°C/120Hz I_r [A RMS]	Ripple Current at 40°C/120Hz [A RMS]	ESR (typ) at 20°C/100Hz [m Ω]	Zmax at 20°C/10kHz [m Ω]	ESL (typ) [nH]	Dissipation Factor at 20°C/120Hz Tan δ	DxL [mm]	Product Code # = variable value, see fixing code in the product code
500 VDC Code: 2H Surge Voltage 550 VDC	2 200	10.3	21.6	40	35	18	0.20	64x107	VFL2H222#D107
		11.5	24.2	37	33	18	0.20	64x123	VFL2H272#D123
	2 700	12.9	27.1	37	33	20	0.20	77x95	VFL2H272#E095
		12.5	26.3	36	32	18	0.20	64x147	VFL2H332#D147
	3 300	14.2	29.8	36	32	20	0.20	77x108	VFL2H332#E108
		13.9	29.2	27	29	18	0.20	64x164	VFL2H392#D164
	3 900	15.8	33.2	27	29	20	0.20	77x124	VFL2H392#E124
		17.9	37.6	27	29	20	0.20	90x97	VFL2H392#F097
	4 700	15.4	32.3	25	25	20	0.20	64x187	VFL2H472#D187
		17.0	35.7	25	25	20	0.20	77x148	VFL2H472#E148
	5 600	19.5	41.0	25	25	20	0.20	90x110	VFL2H472#F110
		18.9	39.7	23	21	20	0.20	77x165	VFL2H562#E165
	6 800	21.1	44.3	23	21	20	0.20	90x126	VFL2H562#F126
		20.9	43.9	20	18	20	0.20	77x188	VFL2H682#E188
	8 200	23.1	48.5	20	18	20	0.20	90x150	VFL2H682#F150
		25.0	52.5	17	16	20	0.20	90x167	VFL2H822#F167
10 000	27.8	58.4	14	12	20	0.20	90x190	VFL2H103#F190	
12 000	29.6	62.2	12	10	20	0.20	90x230	VFL2H123#F230	
15 000	32.7	68.7	10	8	20	0.20	90x268	VFL2H153#F268	
550 VDC Code: 2L Surge Voltage 600 VDC	560	3.9	8.2	200	215	17	0.20	51x75	VFL2L561#C075
	680	4.5	9.5	165	177	17	0.20	51x96	VFL2L681#C096
	820	5.1	10.8	137	147	17	0.20	51x109	VFL2L821#C109
	1 000	5.9	12.4	112	120	17	0.20	51x125	VFL2L102#C125
	1 200	7.3	15.3	93	100	18	0.20	64x94	VFL2L122#D094
	1 500	8.3	17.4	74	80	18	0.20	64x107	VFL2L152#D107
		9.1	19.1	61	60	18	0.20	64x123	VFL2L182#D123
	1 800	10.3	21.6	61	60	20	0.20	77x95	VFL2L182#E095
		10.0	21.0	53	50	18	0.20	64x147	VFL2L222#D147
	2 200	11.3	23.7	53	50	20	0.20	77x108	VFL2L222#E108
		11.3	23.7	40	35	18	0.20	64x164	VFL2L272#D164
	2 700	12.8	26.9	40	35	20	0.20	77x124	VFL2L272#E124
		14.5	30.5	40	35	20	0.20	90x97	VFL2L272#F097
	3 300	12.6	26.5	38	32	20	0.20	64x187	VFL2L332#D187
		13.9	29.2	38	32	20	0.20	77x148	VFL2L332#E148
	3 900	16.0	33.6	38	32	20	0.20	90x110	VFL2L332#F110
		15.4	32.3	30	27	20	0.20	77x165	VFL2L392#E165
	4 700	17.2	36.1	30	27	20	0.20	90x126	VFL2L392#F126
		17.0	35.7	25	20	20	0.20	77x188	VFL2L472#E188
	5 600	18.8	39.5	25	20	20	0.20	90x150	VFL2L472#F150
20.3		42.6	20	17	20	0.20	90x150	VFL2L562#F150	
6 800	20.3	42.6	20	17	20	0.20	90x167	VFL2L562#F167	
	22.4	47.0	17	17	20	0.20	90x190	VFL2L682#F190	
8 200	23.9	50.2	14	15	20	0.20	90x230	VFL2L822#F230	
10 000	25.0	52.5	12	12	20	0.20	90x268	VFL2L103#F268	

Additional designs on request · Weitere Designs auf Anfrage

VFL · Screw-Terminal · 12000 h/85 °C

Rated VoltageCode (Surge Voltage) V_r [V DC]	Capacitance C_r [μ F]	Ripple Current at 85°C/120Hz I_r [A RMS]	Ripple Current at 40°C/120Hz [A RMS]	ESR (typ) at 20°C/100Hz [m Ω]	Zmax at 20°C/10kHz [m Ω]	ESL (typ) [nH]	Dissipation Factor at 20°C/120Hz Tan δ	DxL [mm]	Product Code # = variable value, see fixing code in the product code
600 VDC Code: 600V Surge Voltage 650 VDC	470	2.6	5.5	312	320	17	0.20	51x75	VFL600V471#C075
	560	3.0	6.1	262	268	17	0.20	51x96	VFL600V561#C096
	680	3.4	7.2	216	221	17	0.20	51x109	VFL600V681#C109
	820	3.9	8.2	179	183	17	0.20	51x125	VFL600V821#C125
	1 200	7.0	14.7	122	125	18	0.20	64x94	VFL600V122#D094
		8.0	16.8	111	114	18	0.20	64x123	VFL600V152#D123
	1 500	9.0	18.9	111	114	20	0.20	77x95	VFL600V152#E095
		8.6	18.1	99	102	18	0.20	64x147	VFL600V182#D147
	1 800	9.8	20.6	99	102	20	0.20	77x108	VFL600V182#E108
		9.8	20.6	85	87	18	0.20	64x164	VFL600V222#D164
	2 200	11.1	23.3	85	87	20	0.20	77x124	VFL600V222#E124
		12.6	26.5	85	87	20	0.20	90x97	VFL600V222#F097
	2 700	10.9	22.9	66	68	18	0.20	64x187	VFL600V272#D187
		13.8	29.0	66	68	20	0.20	90x110	VFL600V272#F110
	3 300	13.3	27.9	44	45	20	0.20	77x148	VFL600V332#E148
		15.2	31.9	44	45	20	0.20	90x126	VFL600V332#F126
	3 900	14.9	31.3	33	25	20	0.20	77x188	VFL600V392#E188
		16.4	34.4	33	25	20	0.20	90x150	VFL600V392#F150
	4 700	16.9	35.5	27	20	20	0.20	77x228	VFL600V472#E228
		17.7	37.2	27	20	20	0.20	90x167	VFL600V472#F167
5 600	19.5	41.0	23	17	20	0.20	90x190	VFL600V562#F190	
6 800	20.9	43.9	19	14	20	0.20	90x230	VFL600V682#F230	

Additional designs on request · Weitere Designs auf Anfrage

> Ripple Current Multiplier · Wechselstrommultiplikator

Frequency [Hz]	50/60	120	300	1k	≥ 10k
Multiplier	0.80	1.00	1.18	1.34	1.45

Ta (°C)	40	45	50	55	60	65	70	75	80	85
Multiplier	2.1	2.0	1.9	1.8	1.7	1.5	1.3	1.2	1.1	1.0

Forced cooling – Wind speed [m/sec]	v < 0.25	v ≥ 0.25	v ≥ 0.5	v ≥ 1.0	v ≥ 2.0	v ≥ 3.0
Multiplier	1.00	1.07	1.15	1.25	1.30	1.35

> Life Time Table · Brauchbarkeitsdauer – Tabelle

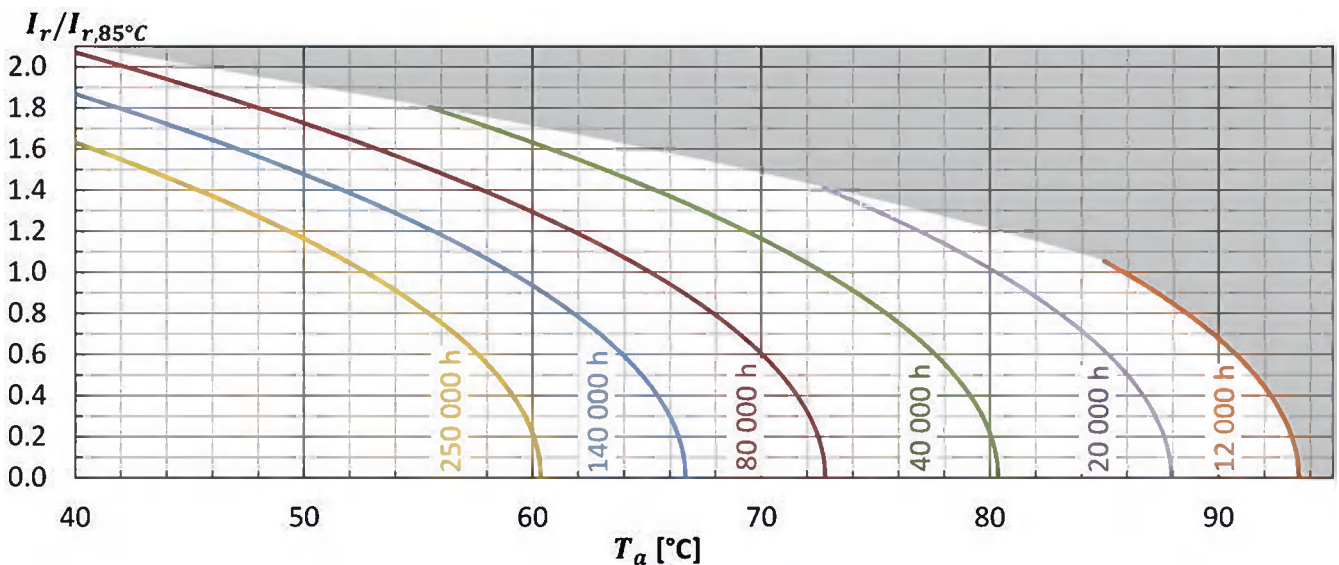
VFL	Useful life as function of ambient temperature and ripple current											
I_r at 85°C	x 1.0	x 1.1	x 1.2	x 1.3	x 1.4	x 1.5	x 1.6	x 1.7	x 1.8	x 1.9	x 2.0	x 2.1
$T_a = 40°C$	250	250	250	250	250	250	250	212	166	128	97	73
$T_a = 45°C$	250	250	250	250	250	210	169	134	105	81	61	
$T_a = 50°C$	250	250	235	197	163	133	107	85	66	51		
$T_a = 55°C$	202	174	148	124	103	84	67	53	42			
$T_a = 60°C$	128	110	94	79	65	53	42	34				
$T_a = 65°C$	81	69	59	49	41	33						
$T_a = 70°C$	51	44	37	31								
$T_a = 75°C$	32	27	23									
$T_a = 80°C$	20	17										
$T_a = 85°C$	12											

khrs Max. value limited to 250 000 hours.

> Life Time Graph · Brauchbarkeitsdauer – Diagramm

Useful life depending on ambient temperature T_a and ripple current operating conditions I_r versus rated ripple current at the upper category temperature $I_{r, 85°C, 120Hz}$

Brauchbarkeitsdauer in Abhängigkeit von Umgebungstemperatur T_a und Wechselstrombelastung I_r im Verhältnis zur max. Wechselstrombelastung bei oberer Kategorie-temperatur $I_{r, 85°C, 120Hz}$



> Life Time Tests and Requirements · Anforderungen Brauchbarkeitsdauer

Life time test	Test procedure	Life time criteria
Endurance test	$T_a = 85°C$; V_r , I_r applied 8000 hours	$\Delta C/C \leq 10\%$ (of initial value) $Tan\delta \leq 175\%$ (of specified value) $I_l \leq$ specified value
Useful life	$T_a = 85°C$; V_r , I_r applied 12000 hours	$\Delta C/C \leq 15\%$ (of initial value) $Tan\delta < 200\%$ (of specified value) $I_l \leq$ specified value

Reference Specification: JIS C 5101-4, JIS C 5102, IEC 60384-4

FX2 · Screw-Terminal · 12000 h/85 °C

Long Life · Compact

Optional design for permanent and deep charge-discharge application with high voltage hub and pulsed operation mode upon request.

Spezielles Design für häufige und tiefe Lade-, Entladeanwendungen mit hohem Spannungshub und Impulsbetrieb auf Anfrage erhältlich.

> Specifications · Spezifikationen

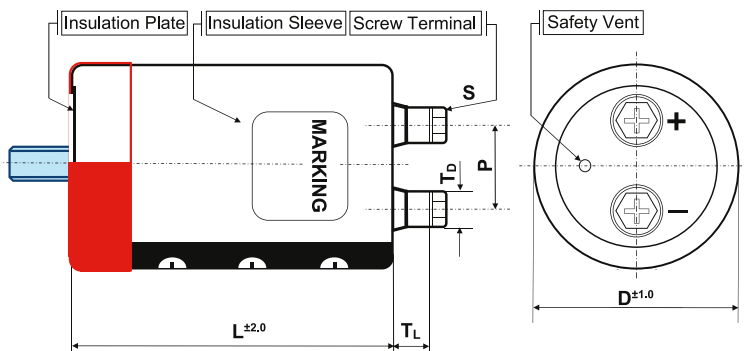
Items	Characteristics
Temperature range	-40°C ~ + 85°C
Capacitance tolerance (at 20°C)	Standard +/- 20%, -10/+30% on request
Surge voltage	Repetitive max. 30 sec per 6 Minutes
Leakage current max. I _L (20°C, 5 min)	0.01 • C • V, [μA] or 3 mA, which is smaller.
Useful life	12 000 hours at 85°C
Field failure rate	0.5 FIT = 0.5 • 10 ⁻⁹ Failures/hour
Reference standards	IEC 60384-4, JIS C 5101-4
Vibration	0.75mm, 10...55Hz, 10g, 3x2h
Outer materials	UL94-V0/UL224-VW1 certified (cap/sleeve)
Sleeve withstanding voltage	4000 Vac/1min between terminals bundled and plate*
Product Compliance	RoHS, REACH, Conflict Minerals a.o. – refer to p. 12–13

* Typical value



> Shape designation · Formbezeichnung

- additional information on p. 10–11 · Zusatzinformationen auf S. 10–11
- mounting accessories from p. 181 · Montagezubehör ab S. 181



Shape code Features	B Bolt	I/Y double sleeve for 2/3 points metal Bracket	N standard
outer insulation sleeve	•	•	•
insulation plate	•	•	•
stud bolt	•		
bottom double sleeve		•	

diameter code	ØD	available shape	P	S	T _L	T _D	Cap material
C	51	B, N, I, Y	22.0	M5x10	5.5	10	PH
D	64	B, N, I, Y	28.6	M5x10	5.5	10	PH
E	77	B, N, I, Y	31.5	M5x10	5.0	10	PH
				M6x12	4.5	17.2	PH
F	90	B, N, I, Y	31.5	M5x10	5.0	10	PH
				M6x12	5.0	17.2	PH
G	101	B, N, Y	41.5	M8x16	11.0	14	PH
			31.5	M6x12	3.0	14	PH

Size in mm. First listed terminal is standard.

> Product Code · Bestellbezeichnung

Example: Series FX2 · 10.000 µF +/- 20 % · 400 V · D=77 mm · L= 195 mm with stud bolt & M6

FX2	2G	103	B	E	195	PHM6
Series name	Capacitance code		Shape code	Diameter code	Capacitance tolerance	Specific features (e.g. M6 ...)
Rated voltage code						∅ : ± 20 % Q : -10 % ~ +30 %
Code	Voltage	Code	Voltage	Code	Voltage	Case length code – length in mm (3 digits)
2V	350	2W	450	2L	550	
2G	400	2H	500	600V	600	

Rated Voltage Code (Surge Voltage) V _r [V DC]	Capacitance C _r [µF]	Ripple Current at 85°C/120Hz I _r [A RMS]	Ripple Current at 40°C/120Hz [A RMS]	ESR (typ) at 20°C/100Hz [mΩ]	Z _{max} at 20°C/10kHz [mΩ]	ESL (typ) [nH]	Dissipation Factor at 20°C/120Hz Tan δ	DxL [mm]	Product Code # = variable value, see fixing code in the product code
350 VDC Code: 2V Surge Voltage 400 VDC	2 700	11.2	23.5	25	25	17	0.15	51x115	FX22V272#C115
	3 300	13.0	27.3	22	22	17	0.15	51x130	FX22V332#C130
	3 900	13.8	29.0	19	21	18	0.15	64x96	FX22V392#D096
	4 700	16.1	33.8	16	20	18	0.15	64x115	FX22V472#D115
	5 600	18.5	38.8	14	18	18	0.15	64x130	FX22V562#D130
	6 800	20.6	43.3	12	15	20	0.15	77x115	FX22V682#E115
		23.7	49.8	12	15	20	0.15	77x130	FX22V822#E130
	8 200	25.4	53.3	12	15	20	0.15	77x145	FX22V822#SE145
		27.1	56.9	10	15	20	0.15	77x143	FX22V103#E143
	10 000	28.1	59.0	10	15	20	0.15	77x155	FX22V103#E155
		32.1	67.4	8	13	20	0.15	77x171	FX22V123#E171
	12 000	30.7	64.5	8	13	20	0.15	90x131	FX22V123#F131
		37.7	79.2	6	10	20	0.15	77x195	FX22V153#E195
	15 000	39.6	83.2	6	10	20	0.15	77x220	FX22V153#E220
		36.7	77.1	6	10	20	0.15	90x157	FX22V153#F157
18 000	43.8	92.0	5	9	20	0.15	90x196	FX22V183#F196	
22 000	52.3	109.8**	5	8	20	0.15	90x236	FX22V223#F236	
27 000	59.8	125.6**	5	8	29	0.15	101x237*	FX22V273#G237	
400 VDC Code: 2G Surge Voltage 450 VDC	1 100	6.0	12.6	60	64	17	0.15	51x75	FX22G112#C075
	1 800	7.7	16.2	51	54	17	0.15	51x96	FX22G182#C096
		8.6	18.1	51	54	17	0.15	51x100	FX22G182#C100
	2 200	9.7	20.4	46	48	17	0.15	51x105	FX22G222#C105
		10.1	21.2	46	48	17	0.15	51x115	FX22G222#C115
	2 400	10.5	22.1	43	44	17	0.15	51x115	FX22G242#C115
	2 700	11.5	24.2	38	40	17	0.15	51x115	FX22G272#SC115
	3 300	12.6	26.5	30	32	18	0.15	64x96	FX22G332#D096
		13.1	27.5	30	32	18	0.15	64x104	FX22G392#D104
	3 900	14.7	30.9	26	28	18	0.15	64x115	FX22G392#D115
		15.2	31.9	23	25	18	0.15	64x106	FX22G442#D106
	4 700	17.0	35.7	21	22	18	0.15	64x130	FX22G472#D130
16.0		33.6	21	22	20	0.15	77x96	FX22G472#E096	
5 600	18.6	39.1	18	19	20	0.15	77x115	FX22G562#E115	

Additional designs on request · Weitere Designs auf Anfrage

FX2 · Screw-Terminal · 12000 h/85°C

Rated VoltageCode (Surge Voltage) V_r [V DC]	Capacitance C_r [μ F]	Ripple Current at 85°C/120Hz I_r [A RMS]	Ripple Current at 40°C/120Hz [A RMS]	ESR (typ) at 20°C/100Hz [m Ω]	Zmax at 20°C/10kHz [m Ω]	ESL (typ) [nH]	Dissipation Factor at 20°C/120Hz Tan δ	DxL [mm]	Product Code # = variable value, see fixing code in the product code
400 VDC Code: 2G Surge Voltage 450 VDC	6 800	21.5	45.2	15	15	20	0.15	77x130	FX22G682#E130
	8 200	24.6	51.7	12	15	20	0.15	77x145	FX22G822#E145
		25.3	53.1	12	15	20	0.15	77x155	FX22G822#E155
	10 000	29.1	61.1	10	15	20	0.15	77x171	FX22G103#E171
		30.7	64.5	10	15	20	0.15	77x195	FX22G103#E195
		27.8	58.4	10	15	20	0.15	90x131	FX22G103#F131
	12 000	35.3	74.1	8	13	20	0.15	77x220	FX22G123#E220
		32.8	68.9	8	13	20	0.15	90x157	FX22G123#F157
	15 000	40.0	84.0	7	10	20	0.15	90x196	FX22G153#F196
	18 000	46.1	96.8	6	9	20	0.15	90x221	FX22G183#F221
		47.4	99.5	6	9	20	0.15	90x236	FX22G183#F236
	19 000	48.6	102.2**	6	9	20	0.15	90x236	FX22G193#F236
	22 000	54.0	113.4**	5	8	29	0.15	101x237*	FX22G223#G237
	25 000	58.9	123.6**	5	8	29	0.15	101x250*	FX22G253#G250
27 000	64.4	135.2**	5	7	29	0.15	101x283*	FX22G273#G283	
450 VDC Code: 2W Surge Voltage 500 VDC	1 100	5.8	12.2	80	70	17	0.15	51x75	FX22W112#C075
	1 500	7.7	16.2	67	70	17	0.15	51x105	FX22W152#C105
		7.9	16.6	67	60	17	0.15	51x96	FX22W152#QC096
	1 800	8.7	18.3	56	56	17	0.15	51x115	FX22W182#C115
	2 000	10.6	22.2	50	52	17	0.15	51x115	FX22W202#C115
	2 200	10.1	21.2	46	45	17	0.15	51x130	FX22W222#C130
	2 700	10.9	22.9	38	40	18	0.15	64x96	FX22W272#D096
		12.0	25.1	38	40	18	0.15	64x106	FX22W272#D106
	3 300	12.9	27.1	30	35	18	0.15	64x115	FX22W332#D115
		12.1	25.4	30	35	20	0.15	77x96	FX22W332#E096
	3 900	14.7	30.9	27	32	18	0.15	64x130	FX22W392#D130
	4 700	17.4	36.5	21	23	18	0.15	64x155	FX22W472#D155
		16.2	34.0	21	23	20	0.15	77x115	FX22W472#E115
	5 600	18.6	39.1	20	22	20	0.15	77x130	FX22W562#E130
	6 600	22.1	46.4	18	19	20	0.15	77x143	FX22W662#E143
	6 800	22.0	46.2	15	18	20	0.15	77x155	FX22W682#E155
	8 200	26.4	55.4	16	16	20	0.15	77x195	FX22W822#E195
		27.8	58.4	16	16	20	0.15	77x220	FX22W822#E220
		24.2	50.8	16	16	20	0.15	90x131	FX22W822#F131
	8 800	26.0	54.6	12	16	20	0.15	77x171	FX22W882#E171
		30.9	64.9	10	15	20	0.15	77x222	FX22W103#E222
	10 000	29.6	62.2	10	15	20	0.15	90x171	FX22W103#F171
		34.2	71.8	9	12	20	0.15	90x196	FX22W123#F196
12 000	33.7	70.8	9	12	29	0.15	101x175*	FX22W123#G175	
	38.2	80.2	7	12	20	0.15	90x196	FX22W153#F196	
15 000	41.3	86.7	7	10	20	0.15	90x236	FX22W153#F236	
	45.3	95.2	6	10	20	0.15	90x236	FX22W183#F236	
20 000	53.0	111.3**	5	8	29	0.15	101x237*	FX22W203#G237	
23 000	53.8	113.0**	5	9	29	0.15	101x250*	FX22W233#G250	

Additional designs on request · Weitere Designs auf Anfrage

Rated VoltageCode (Surge Voltage) V_r [V DC]	Capacitance C_r [μ F]	Ripple Current at 85°C/120Hz I_r [A RMS]	Ripple Current at 40°C/120Hz [A RMS]	ESR (typ) at 20°C/100Hz [m Ω]	Zmax at 20°C/10kHz [m Ω]	ESL (typ) [nH]	Dissipation Factor at 20°C/120Hz Tan δ	DxL [mm]	Product Code # = variable value, see fixing code in the product code
500 VDC Code: 2H Surge Voltage 550 VDC	820	4.9	10.3	140	151	17	0.20	51x75	FX22H821#C075
	1 000	6.3	13.2	112	120	17	0.20	51x105	FX22H102#C105
	1 200	7.1	14.9	93	100	17	0.20	51x115	FX22H122#C115
		7.2	15.1	93	100	18	0.20	64x96	FX22H122#D096
	1 500	7.9	16.6	74	80	17	0.20	51x115	FX22H152#C115
		8.2	17.2	74	80	18	0.20	64x96	FX22H152#D096
	1 800	9.5	20.0	53	53	18	0.20	64x115	FX22H182#D115
		9.4	19.8	53	53	20	0.20	77x96	FX22H182#E096
	2 200	10.9	22.9	40	40	18	0.20	51x155	FX22H222#C155
		11.0	23.1	40	40	18	0.20	64x130	FX22H222#D130
		10.4	21.7	40	40	20	0.20	77x96	FX22H222#E096
	2 500	12.3	25.8	38	40	18	0.20	64x144	FX22H252#D144
		11.0	23.1	38	40	20	0.20	77x96	FX22H252#E096
	2 700	12.3	25.8	37	37	20	0.20	77x115	FX22H272#E115
	3 300	14.3	30.0	36	36	20	0.20	77x130	FX22H332#E130
	3 900	16.1	33.8	27	29	20	0.20	77x145	FX22H392#E145
		16.6	34.9	27	29	20	0.20	77x155	FX22H392#E155
	4 700	18.2	38.2	25	25	20	0.20	77x155	FX22H472#E155
		19.0	39.9	25	25	20	0.20	77x171	FX22H472#E171
		18.2	38.2	25	25	20	0.20	90x131	FX22H472#F131
	5 600	21.8	45.8	23	21	20	0.20	77x195	FX22H562#E195
		21.4	44.9	23	21	20	0.20	90x157	FX22H562#F157
	6 800	24.4	51.2	20	20	20	0.20	90x171	FX22H682#F171
		28.2	59.2	17	16	20	0.20	90x196	FX22H822#F196
	8 200	27.8	58.4	17	16	29	0.20	101x175*	FX22H822#G175
		30.1	63.2	15	15	20	0.20	90x196	FX22H942#F196
	10 000	33.7	70.8	14	14	20	0.20	90x236	FX22H103#F236
		32.1	67.4	14	14	29	0.20	101x195*	FX22H103#G195
12 000	36.8	77.3	12	12	20	0.20	90x236	FX22H123#F236	
	38.1	80.0	11	11	29	0.20	101x237*	FX22H123#G237	
550 VDC Code: 2L Surge Voltage 600 VDC	680	5.1	10.7	165	177	17	0.20	51x105	FX22L681#C105
	1 000	6.8	14.3	112	120	17	0.20	51x130	FX22L102#C130
	1 200	7.8	16.4	93	100	18	0.20	64x115	FX22L122#D115
	1 500	9.2	19.3	74	80	18	0.20	64x130	FX22L152#D130
	1 800	10.0	21.0	61	50	20	0.20	77x115	FX22L182#E115
	2 200	11.6	24.4	53	40	20	0.20	77x130	FX22L222#E130
	2 700	12.9	27.0	40	35	20	0.20	77x130	FX22L272#E130
	3 300	15.3	32.1	38	32	20	0.20	77x155	FX22L332#E155
	3 900	17.8	37.4	30	27	20	0.20	90x157	FX22L392#F157
	4 200	17.9	37.6	28	27	20	0.20	77x171	FX22L422#E171
	4 700	20.4	42.8	25	20	20	0.20	77x203	FX22L472#E203
		20.2	42.4	25	20	20	0.20	90x171	FX22L472#F171
	5 000	22.4	47.0	24	20	20	0.20	77x235	FX22L502#E235
	5 600	22.1	46.4	20	17	20	0.20	90x171	FX22L562#F171
23.3		48.9	20	17	20	0.20	90x196	FX22L562#F196	

Additional designs on request · Weitere Designs auf Anfrage

FX2 · Screw-Terminal · 12000 h/85°C

Rated VoltageCode (Surge Voltage) V_r [V DC]	Capacitance C_r [μ F]	Ripple Current at 85°C/120Hz I_r [A RMS]	Ripple Current at 40°C/120Hz [A RMS]	ESR (typ) at 20°C/100Hz [m Ω]	Zmax at 20°C/10kHz [m Ω]	ESL (typ) [nH]	Dissipation Factor at 20°C/120Hz Tan δ	DxL [mm]	Product Code # = variable value, see fixing code in the product code
550 VDC Code: 2L Surge Voltage 600 VDC	6 000	24.5	51.4	19	17	20	0.20	77x235	FX22L602#E235
	6 800	25.6	53.8	17	17	20	0.20	90x196	FX22L682#F196
		27.7	58.2	17	17	20	0.20	90x236	FX22L682#F236
	8 200	30.4	63.8	15	15	20	0.20	90x236	FX22L822#F236
	9 200	32.2	67.6	13	13	20	0.20	90x236	FX22L922#F236
600 VDC Code: 600V Surge Voltage 650 VDC	1 000	4.8	10.1	129	133	22	0.20	64x96	FX2600V102#D096
	1 200	5.6	11.8	122	125	22	0.20	64x115	FX2600V122#D115
	1 500	6.3	13.2	111	114	24	0.20	77x96	FX2600V152#E096
	1 800	7.3	15.5	99	102	24	0.20	77x115	FX2600V182#E115
	2 200	8.5	17.9	85	87	24	0.20	77x130	FX2600V222#E130
	2 700	10.1	21.2	66	68	24	0.20	77x155	FX2600V272#E155
	3 300	11.3	23.7	44	45	24	0.20	90x131	FX2600V332#F131
	3 900	13.1	27.5	22	22	24	0.20	90x157	FX2600V392#F157

* For Bolt mounting, length dimensions increase by +3 mm for M6 items and by +2 mm for M8 items

Additional designs on request · Weitere Designs auf Anfrage

** Please contact us if load condition exceeds terminals related $I_{r,max}$ referred on page 11

> Ripple Current Multiplier · Wechselstrommultiplikator

Frequency [Hz]	50/60	120	300	1k	$\geq 10k$
Multiplier	0.80	1.00	1.18	1.34	1.45

Temperature (°C)	40	45	50	55	60	65	70	75	80	85
Multiplier	2.1	2.0	1.9	1.8	1.7	1.5	1.4	1.3	1.1	1.0

Forced cooling – Wind speed [m/sec]	$v < 0.25$	$v \geq 0.25$	$v \geq 0.5$	$v \geq 1.0$	$v \geq 2.0$	$v \geq 3.0$
Multiplier	1.00	1.05	1.10	1.15	1.20	1.25

> Life Time Table · Brauchbarkeitsdauer – Tabelle

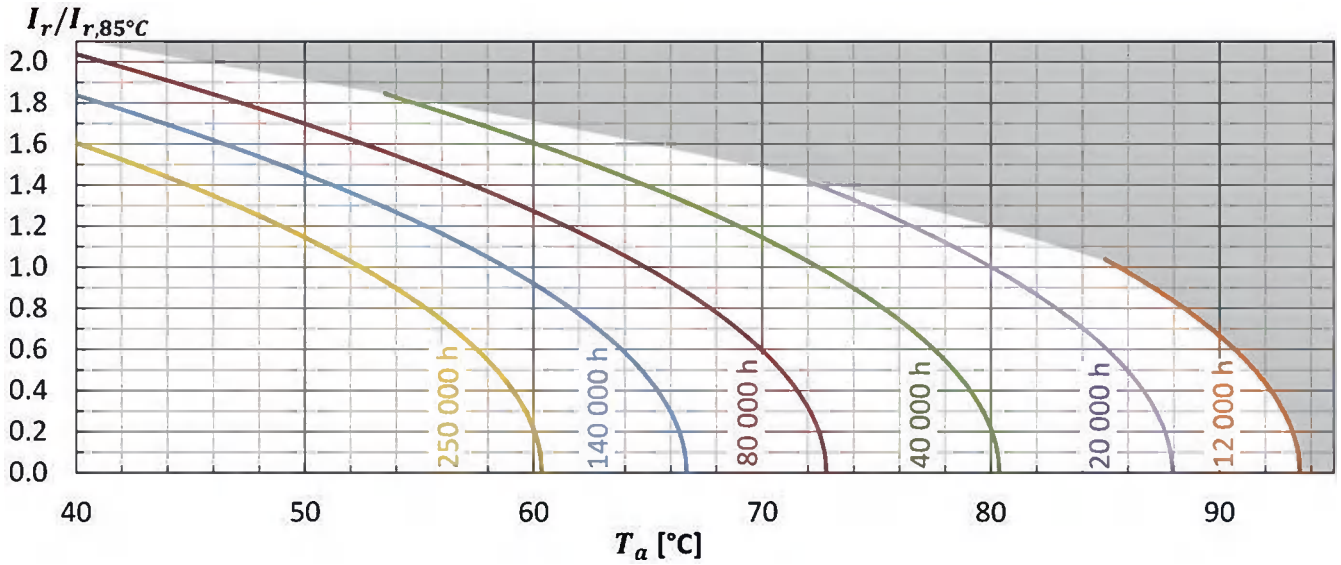
FX2 I_r at 85°C	Useful life as function of ambient temperature and ripple current											
	x 1.0	x 1.1	x 1.2	x 1.3	x 1.4	x 1.5	x 1.6	x 1.7	x 1.8	x 1.9	x 2.0	x 2.1
$T_a = 40^\circ\text{C}$	250	250	250	250	250	250	250	199	154	118	89	66
$T_a = 45^\circ\text{C}$	250	250	250	250	247	200	160	126	97	74	56	
$T_a = 50^\circ\text{C}$	250	250	227	190	156	126	101	79	61	47		
$T_a = 55^\circ\text{C}$	198	170	144	120	98	80	64	50	39			
$T_a = 60^\circ\text{C}$	125	107	91	76	62	50	40	31				
$T_a = 65^\circ\text{C}$	79	68	57	48	39	32						
$T_a = 70^\circ\text{C}$	50	43	36	30	25							
$T_a = 75^\circ\text{C}$	31	27	23	19								
$T_a = 80^\circ\text{C}$	20	17										
$T_a = 85^\circ\text{C}$	12											

Max. value limited to 250 000 hours.

> Life Time Graph · Brauchbarkeitsdauer – Diagramm

Useful life depending on ambient temperature T_a and ripple current operating conditions I_r , versus rated ripple current at the upper category temperature $I_{r, 85^\circ\text{C}, 120\text{Hz}}$

Brauchbarkeitsdauer in Abhängigkeit von Umgebungstemperatur T_a und Wechselstrombelastung I_r , im Verhältnis zur max. Wechselstrombelastung bei oberer Kategorie-temperatur $I_{r, 85^\circ\text{C}, 120\text{Hz}}$



> Life Time Tests and Requirements · Anforderungen Brauchbarkeitsdauer

Life time test	Test procedure	Life time criteria
Endurance test	$T_a = 85^\circ\text{C}$; V_r , I_r applied 8000 hours	$\Delta C/C \leq 10\%$ (of initial value) $\text{Tan}\delta \leq 175\%$ (of specified value) $I_L \leq$ specified value
Useful life	$T_a = 85^\circ\text{C}$; V_r , I_r applied 12000 hours	$\Delta C/C \leq 15\%$ (of initial value) $\text{Tan}\delta < 200\%$ (of specified value) $I_L \leq$ specified value

Reference Specification: JIS C 5101-4, JIS C 5102, IEC 60384-4

FX3 · Screw-Terminal · 10 000 h/85 °C

Compact Design · Long Life

Optional design for permanent and deep charge-discharge application with high voltage hub and pulsed operation mode upon request.

Spezielles Design für häufige und tiefe Lade-, Entladeanwendungen mit hohem Spannungshub und Impulsbetrieb auf Anfrage erhältlich.

> Specifications · Spezifikationen

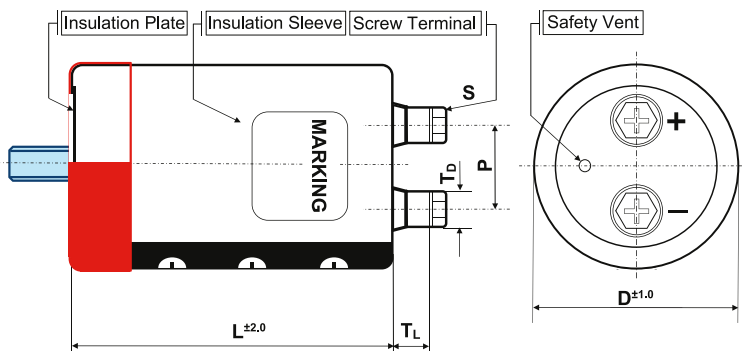
Items	Characteristics
Temperature range	-40°C ~ + 85°C
Capacitance tolerance (at 20°C)	Standard +/- 20%, -10/+30% on request
Surge voltage	Repetitive max. 30 sec per 6 Minutes
Leakage current max. I _L (20°C, 5 min)	0.01 • C • V, [μA] or 3 mA, which is smaller.
Useful life	10 000 hours at 85°C
Field failure rate	0.5 FIT = 0.5 • 10 ⁻⁹ Failures/hour
Reference standards	IEC 60384-4, JIS C 5101-4
Vibration	0.75mm, 10...55Hz, 10g, 3x2h
Outer materials	UL94-V0/UL224-VW1 certified (cap/sleeve)
Sleeve withstanding voltage	4000 Vac/1min between terminals bundled and plate*
Product Compliance	RoHS, REACH, Conflict Minerals a.o. – refer to p. 12–13

* Typical value



> Shape designation · Formbezeichnung

- additional information on p. 10–11 · Zusatzinformationen auf S. 10–11
- mounting accessories from p. 181 · Montagezubehör ab S. 181



Shape code Features	B Bolt	I/Y double sleeve for 2/3 points metal Bracket	N standard
outer insulation sleeve	•	•	•
insulation plate	•	•	•
stud bolt	•		
bottom double sleeve		•	

diameter code	ØD	available shape	P	S	T _L	T _D	Cap material
C	51	B, N, I, Y	22.0	M5x10	5.5	10	PH
D	64	B, N, I, Y	28.6	M5x10	5.5	10	PH
E	77	B, N, I, Y	31.5	M5x10	5.0	10	PH
				M6x12	4.5	17.2	PH
F	90	B, N, I, Y	31.5	M5x10	5.0	10	PH
				M6x12	5.0	17.2	PH

Size in mm. First listed terminal is standard.

> Product Code · Bestellbezeichnung

Example: Series FX3 · 8200 µF +/- 20 % · 400 V · D=77 mm · L=130 mm with Y-Bracket

FX3	2G	822	Y	E	130	PHM6
Series name	Capacitance code		Shape code	Diameter code	Capacitance tolerance	Specific features (e.g. M6 ...)
Rated voltage code						
Code	Voltage	Code	Voltage	Code	Voltage	
2G	400	2W	450	2H	500	
					∅ : ± 20 %	
					Q : -10 % ~ +30 %	
					Case length code – length in mm (3 digits)	

Rated Voltage Code (Surge Voltage) V _r [V DC]	Capacitance C _r [µF]	Ripple Current at 85°C/120Hz I _r [A RMS]	Ripple Current at 40°C/120Hz [A RMS]	ESR (typ) at 20°C/100Hz [mΩ]	Z _{max} at 20°C/10kHz [mΩ]	ESL (typ) [nH]	Dissipation Factor at 20°C/120Hz Tan δ	DxL [mm]	Product Code # = variable value, see fixing code in the product code
400 VDC Code: 2G Surge Voltage 450 VDC	2 200	9.7	20.3	46	48	17	0.20	51x96	FX32G222#C096
	2 700	11.5	24.2	38	40	17	0.20	51x115	FX32G272#C115
	3 000	12.1	25.4	34	36	17	0.20	51x115	FX32G302#C115
	3 300	13.3	28.0	30	32	17	0.20	51x130	FX32G332#C130
	3 900	14.1	29.7	26	28	18	0.20	64x96	FX32G392#D096
	4 700	16.7	35.0	21	22	18	0.20	64x115	FX32G472#D115
	5 600	19.1	40.1	18	19	18	0.20	64x130	FX32G562#D130
	6 800	22.7	47.6	15	15	18	0.20	64x155	FX32G682#D155
		21.3	44.7	15	15	20	0.20	77x115	FX32G682#E115
	8 200	24.4	51.2	12	15	20	0.20	77x130	FX32G822#E130
	8 400	25.6	53.9	12	14	20	0.20	77x143	FX32G842#E143
	10 000	28.9	60.6	10	15	20	0.20	77x155	FX32G103#E155
	12 000	34.8	73.2	8	13	20	0.20	77x195	FX32G123#E195
	15 000	39.1	82.1	8	10	20	0.20	90x171	FX32G153#F171
18 000	45.3	95.2	6	9	20	0.20	90x196	FX32G183#F196	
22 000	54.1	113.5*	6	8	20	0.20	90x236	FX32G223#F236	
450 VDC Code: 2W Surge Voltage 500 VDC	1 800	8.3	17.4	71	73	17	0.20	51x96	FX32W182#C096
	2 200	9.9	20.8	58	60	17	0.20	51x115	FX32W222#C115
	2 700	11.6	24.4	47	49	17	0.20	51x130	FX32W272#C130
	3 300	12.4	26.1	39	41	18	0.20	64x96	FX32W332#D096
	3 900	14.5	30.4	33	35	18	0.20	64x115	FX32W392#D115
	4 700	16.8	35.3	27	29	18	0.20	64x130	FX32W472#D130
		19.7	41.3	23	25	18	0.20	64x155	FX32W562#D155
	5 600	18.4	38.6	23	25	20	0.20	77x115	FX32W562#E115
		21.3	44.7	19	21	20	0.20	77x130	FX32W682#E130
	8 200	25.1	52.6	16	18	20	0.20	77x155	FX32W822#E155
		26.1	54.8	16	18	20	0.20	77x170	FX32W822#E170
	10 000	29.6	62.1	13	15	20	0.20	90x157	FX32W103#F157
	12 000	33.5	70.3	11	13	20	0.20	90x171	FX32W123#F171
	15 000	39.6	83.1	9	11	20	0.20	90x196	FX32W153#F196
18 000	46.8	98.3	8	10	20	0.20	90x236	FX32W183#F236	

Additional designs on request · Weitere Designs auf Anfrage

FX3 · Screw-Terminal · 10 000 h/85 °C

Rated VoltageCode (Surge Voltage) V_r [V DC]	Capacitance C_r [μF]	Ripple Current at 85°C/120Hz I_r [A RMS]	Ripple Current at 40°C/120Hz [A RMS]	ESR (typ) at 20°C/100Hz [mΩ]	Zmax at 20°C/10kHz [mΩ]	ESL (typ) [nH]	Dissipation Factor at 20°C/120Hz Tan δ	DxL [mm]	Product Code # = variable value, see fixing code in the product code
500 VDC Code: 2H Surge Voltage 550 VDC	1 200	7.2	15.2	92	100	17	0.20	51x96	FX32H122#C096
	1 500	8.7	18.4	74	80	17	0.20	51x115	FX32H152#C115
	1 800	10.0	21.0	53	50	17	0.20	51x130	FX32H182#C130
	2 200	10.8	22.7	40	35	18	0.20	64x96	FX32H222#D096
	2 700	13.5	28.3	37	33	18	0.20	64x130	FX32H272#D130
	3 300	16.0	33.6	36	32	18	0.20	64x155	FX32H332#D155
		15.1	31.6	36	32	20	0.20	77x115	FX32H332#E115
	3 900	17.1	36.0	27	29	20	0.20	77x130	FX32H392#E130
	4 700	19.6	41.2	25	27	20	0.20	77x144	FX32H472#E144
	5 600	22.9	48.1	23	21	20	0.20	77x171	FX32H562#E171
		22.0	46.1	23	21	20	0.20	90x131	FX32H562#F131
	6 800	26.7	56.0	20	18	20	0.20	77x195	FX32H682#E195
		25.9	54.3	20	18	20	0.20	90x157	FX32H682#F157
	8 200	29.4	61.8	17	16	20	0.20	90x171	FX32H822#F171
10 000	34.4	72.2	15	14	20	0.20	90x196	FX32H103#F196	
12 000	40.6	85.2	13	12	20	0.20	90x236	FX32H123#F236	

*Please contact us if load condition exceeds terminals related $I_{r,max}$ referred on page 11

Additional designs on request · Weitere Designs auf Anfrage

> Ripple Current Multiplier · Wechselstrommultiplikator

Frequency [Hz]	50/60	120	300	1k	≥ 10k
Multiplier	0.80	1.00	1.18	1.34	1.45

Temperature (°C)	40	45	50	55	60	65	70	75	80	85
Multiplier	2.1	2.0	1.9	1.8	1.7	1.5	1.4	1.3	1.1	1.0

Forced cooling – Wind speed [m/sec]	v < 0.25	v ≥ 0.25	v ≥ 0.5	v ≥ 1.0	v ≥ 2.0	v ≥ 3.0
Multiplier	1.00	1.05	1.10	1.15	1.20	1.25

> Life Time Table · Brauchbarkeitsdauer – Tabelle

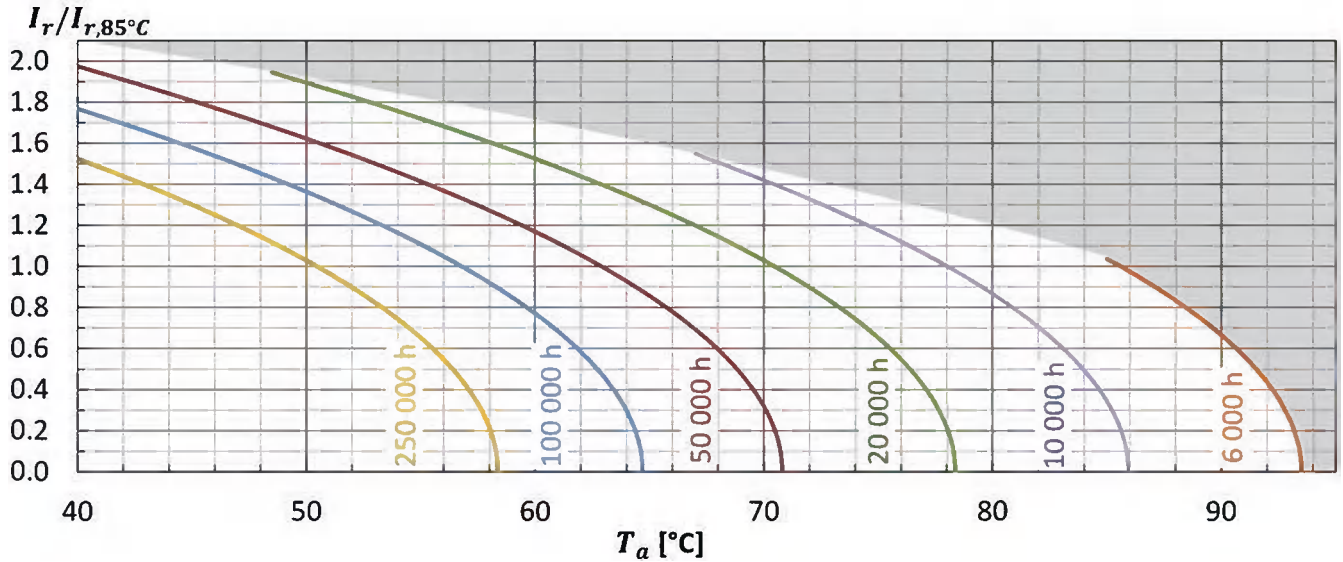
FX3 I_r at 85°C	Useful life as function of ambient temperature and ripple current											
	x 1.0	x 1.1	x 1.2	x 1.3	x 1.4	x 1.5	x 1.6	x 1.7	x 1.8	x 1.9	x 2.0	x 2.1
$T_a = 40°C$	250	250	250	250	250	250	210	166	128	98	74	55
$T_a = 45°C$	250	250	250	250	205	166	133	105	81	62	47	
$T_a = 50°C$	250	224	189	158	130	105	84	66	51	39		
$T_a = 55°C$	165	141	120	100	82	66	53	42	32			
$T_a = 60°C$	104	89	75	63	52	42	33	26				
$T_a = 65°C$	66	56	48	40	32	26						
$T_a = 70°C$	41	35	30	25	20							
$T_a = 75°C$	26	22	19	16								
$T_a = 80°C$	16	14										
$T_a = 85°C$	10											

Max. value limited to 250 000 hours.

> Life Time Graph · Brauchbarkeitsdauer – Diagramm

Useful life depending on ambient temperature T_a and ripple current operating conditions I_r , versus rated ripple current at the upper category temperature $I_{r, 85^\circ\text{C}, 120\text{Hz}}$

Brauchbarkeitsdauer in Abhängigkeit von Umgebungstemperatur T_a und Wechselstrombelastung I_r , im Verhältnis zur max. Wechselstrombelastung bei oberer Kategorie-temperatur $I_{r, 85^\circ\text{C}, 120\text{Hz}}$



> Life Time Tests and Requirements · Anforderungen Brauchbarkeitsdauer

Life time test	Test procedure	Life time criteria
Endurance test	$T_a = 85^\circ\text{C}$; V_r , I_r applied 8000 hours	$\Delta C/C \leq 10\%$ (of initial value) $T_{\text{and}} \leq 175\%$ (of specified value) $I_L \leq$ specified value
Useful life	$T_a = 85^\circ\text{C}$; V_r , I_r applied 10000 hours	$\Delta C/C \leq 15\%$ (of initial value) $T_{\text{and}} < 200\%$ (of specified value) $I_L \leq$ specified value

Reference Specification: JIS C 5101-4, JIS C 5102, IEC 60384-4

HCGW · Screw-Terminal · 6000 h/85 °C

High capacitance · Ultra compact

Optional design for permanent and deep charge-discharge application with high voltage hub and pulsed operation mode upon request.

Spezielles Design für häufige und tiefe Lade-, Entladeanwendungen mit hohem Spannungshub und Impulsbetrieb auf Anfrage erhältlich.

> Specifications · Spezifikationen

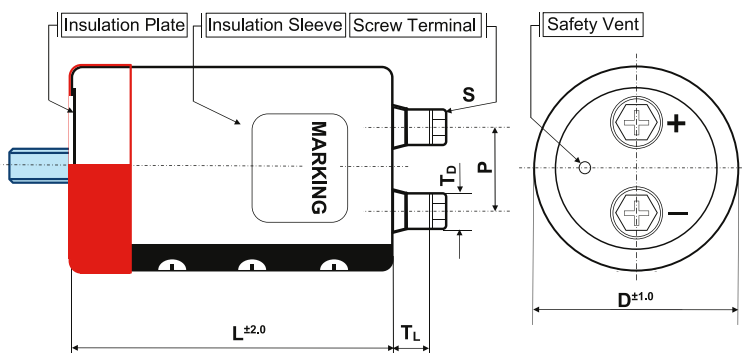
Items	Characteristics
Temperature range	-10°C ~ + 85°C
Capacitance tolerance (at 20°C)	Standard +/- 20%, -10/+30% on request
Surge voltage	Repetitive max. 30 sec per 6 Minutes
Leakage current max. I _L (20°C, 5 min)	0.01 • C • V, [µA] or 7 mA, which is smaller.
Useful life	6000 hours at 85°C
Field failure rate	0.5 FIT = 0.5 • 10 ⁻⁹ Failures/hour
Reference standards	IEC 60384-4, JIS C 5101-4
Vibration	0.75mm, 10...55Hz, 10g, 3x2h
Outer materials	UL94-V0/UL224-VW1 certified (cap/sleeve)
Sleeve withstanding voltage	4000 Vac/1min between terminals bundled and plate*
Product Compliance	RoHS, REACH, Conflict Minerals a.o. – refer to p. 12–13

* Typical value



> Shape designation · Formbezeichnung

- additional information on p. 10–11 · Zusatzinformationen auf S. 10–11
- mounting accessories from p. 181 · Montagezubehör ab S. 181



Shape code Features	B Bolt	I/Y/X double sleeve for 2/3/4 points metal Bracket	N standard
outer insulation sleeve	•	•	•
insulation plate	•	•	•
stud bolt	•		
bottom double sleeve		•	

diameter code	ØD	available shape	P	S	T _L	T _D	Cap material
C	51	B, N, I, Y	22.0	M5x10	5.5	10	PH
D	64	B, N, I, Y	28.6	M5x10	5.5	10	PH
E	77	B, N, I, Y	31.5	M5x10	5.0	10	PH
				M6x12	4.5	17.2	PH
F	90	B, N, I, Y	31.5	M5x10	5.0	10	PH
				M6x12	5.0	17.2	PH
G	101	B, N, Y	31.5	M6x12	3.0	14	PH
K	121	N, X	41.5	M6x12	3.0	14	PH

Size in mm. First listed terminal is standard.

> Product Code · Bestellbezeichnung

Example: Series HCGW · 32000 µF +/- 20 % · 400 V · D=101 mm · L=237 mm with Y-Bracket

HCGW	2G	323	Y	G	237	PH
Series name	Capacitance code	Shape code	Diameter code	Capacitance tolerance	Specific features (e.g. M6 ...)	
Rated voltage code				Case length code – length in mm (3 digits)		
Code	Voltage	Code	Voltage	Ø : ± 20 % Q : -10 % ~ +30 %		
2V	350	2W	450			
2G	400	2H	500			

Rated Voltage Code (Surge Voltage) V _r [V DC]	Capacitance C _r [µF]	Ripple Current at 85°C/120Hz I _r [A RMS]	Ripple Current at 40°C/120Hz [A RMS]	ESR (typ) at 20°C/100Hz [mΩ]	Z _{max} at 20°C/10kHz [mΩ]	ESL (typ) [nH]	Dissipation Factor at 20°C/120Hz Tan δ	DxL [mm]	Product Code # = variable value, see fixing code in the product code
350 VDC Code: 2V Surge Voltage 400 VDC	13 000	12.8	32.0	25	26	22	0.70	77x155	HCGW2V133#E155
	17 000	15.6	39.0	19	20	22	0.70	90x157	HCGW2V173#F157
	18 000	16.6	41.5	18	20	22	0.70	77x195	HCGW2V183#E195
	22 000	19.8	49.5	17	18	22	0.70	77x235	HCGW2V223#E235
	24 000	19.9	49.8	16	18	32	0.70	101x175*	HCGW2V243#G175PH
	25 000	20.7	51.8	15	16	22	0.70	90x196	HCGW2V253#F196
	31 000	24.9	62.3	12	13	22	0.70	90x236	HCGW2V313#F236
		23.9	59.8	12	13	32	0.70	101x195*	HCGW2V313#G195PH
	34 000	26.0	65.0	12	13	22	0.70	90x236	HCGW2V343#F236W2
	36 000	26.8	67.0	11	12	22	0.70	90x236	HCGW2V363#F236W2
		29.0	72.5	11	13	22	0.70	90x283	HCGW2V363#F283
	38 000	29.7	74.3	11	12	22	0.70	90x283	HCGW2V383#F283W2
	39 000	29.0	72.5	10	12	32	0.70	101x237*	HCGW2V393#G237PH
44 000	33.2	83.0	9	11	32	0.70	101x283*	HCGW2V443#G283PH	
57 000	40.7	101.8**	7	8	32	0.70	121x283	HCGW2V573#K283PH	
400 VDC Code: 2G Surge Voltage 450 VDC	11 000	11.8	29.5	31	32	22	0.70	77x155	HCGW2G113#E155
	14 000	14.6	36.5	24	25	22	0.70	77x195	HCGW2G143#E195
	15 000	15.8	39.5	23	24	22	0.70	77x220	HCGW2G153#E220
	16 000	16.9	42.3	21	22	22	0.70	77x235	HCGW2G163#E235
		15.2	38.0	21	22	22	0.70	90x157	HCGW2G163#F157
	20 000	18.5	46.3	20	21	22	0.70	90x196	HCGW2G203#F196
	22 000	19.3	48.3	18	19	32	0.70	101x175*	HCGW2G223#G175PH
	25 000	21.4	53.5	16	18	32	0.70	101x195*	HCGW2G253#G195PH
	27 000	23.8	59.5	15	17	22	0.70	90x221	HCGW2G273#F221
	28 000	23.7	59.3	15	15	22	0.70	90x236	HCGW2G283#F236W2
	29 000	25.3	63.3	14	16	22	0.70	90x236	HCGW2G293#F236
	30 000	24.9	62.3	14	16	32	0.70	101x222*	HCGW2G303#G222PH
	32 000	27.3	68.3	12	13	22	0.70	90x283	HCGW2G323#F283
		26.3	65.8	12	13	32	0.70	101x237*	HCGW2G323#G237PH
	34 000	27.8	69.5	11	13	32	0.70	101x250*	HCGW2G343#G250PH
38 000	30.8	77.0	10	11	32	0.70	101x283*	HCGW2G383#G283PH	
50 000	38.1	95.3	9	11	32	0.70	121x283	HCGW2G503#K283PH	

Additional designs on request · Weitere Designs auf Anfrage

Rated VoltageCode (Surge Voltage) V_r [V DC]	Capacitance C_r [μF]	Ripple Current at 85°C/120Hz I_r [A RMS]	Ripple Current at 40°C/120Hz [A RMS]	ESR (typ) at 20°C/100Hz [mΩ]	Zmax at 20°C/10kHz [mΩ]	ESL (typ) [nH]	Dissipation Factor at 20°C/120Hz $\tan \delta$	DxL [mm]	Product Code # = variable value, see fixing code in the product code
450 VDC Code: 2W Surge Voltage 500 VDC	3 300	5.2	13.0	114	118	19	0.70	51x130	HCGW2W332#C130
	5 600	7.5	18.8	67	70	20	0.70	64x130	HCGW2W562#D130
	9 500	10.9	27.3	36	37	22	0.70	77x155	HCGW2W952#E155
	10 000	11.8	27.5	34	35	22	0.70	90x145	HCGW2W103#F145
	12 000	13.5	33.8	28	29	22	0.70	77x195	HCGW2W123#E195
	13 000	13.7	34.3	26	27	22	0.70	90x157	HCGW2W133#F157
	15 000	16.4	41.0	24	27	22	0.70	77x235	HCGW2W153#E235
	17 000	17.1	42.8	21	22	22	0.70	90x196	HCGW2W173#F196
	18 000	17.0	42.5	20	21	32	0.70	101x175*	HCGW2W183#G175PH
		17.9	44.8	20	21	22	0.70	90x196	HCGW2W183#F196
	22 000	20.1	50.3	18	19	32	0.70	101x195*	HCGW2W223#G195PH
		21.0	52.5	18	19	22	0.70	90x236	HCGW2W223#F236
	24 000	22.6	56.5	17	18	22	0.70	90x236	HCGW2W243#F236
	25 000	22.3	55.8	16	17	22	0.70	90x236	HCGW2W253#F236W2
	27 000	25.1	62.8	15	17	22	0.70	90x283	HCGW2W273#F283
		24.1	60.3	15	17	32	0.70	101x237*	HCGW2W273#G237PH
29 000	25.6	64.0	14	16	32	0.70	101x237*	HCGW2W293#G237PH	
33 000	28.7	71.8	13	15	32	0.70	101x283*	HCGW2W333#G283PH	
42 000	34.9	87.3	10	12	32	0.70	121x283	HCGW2W423#K283PH	
500 VDC Code: 2H Surge Voltage 550 VDC	5 600	8.4	21.0	60	62	22	0.70	77x155	HCGW2H562#E155
	8 200	11.2	28.0	41	43	22	0.70	77x195	HCGW2H822#E195
		10.8	27.0	41	43	22	0.70	90x157	HCGW2H822#F157
	9 500	13.0	32.5	36	37	22	0.70	77x235	HCGW2H952#E235
	11 000	13.7	34.3	32	33	22	0.70	90x196	HCGW2H113#F196
	12 000	13.5	33.8	30	33	32	0.70	101x175*	HCGW2H123#G175PH
	14 000	16.7	41.8	29	30	22	0.70	90x236	HCGW2H143#F236
		16.0	40.0	29	30	32	0.70	101x195*	HCGW2H143#G195PH
	16 000	19.3	48.3	25	27	22	0.70	90x283	HCGW2H163#F283
		18.6	46.5	25	26	32	0.70	101x237*	HCGW2H163#G237PH
18 000	18.9	47.3	23	23	22	0.70	90x236	HCGW2H183#F236W2	
20 000	21.5	53.8	20	20	22	0.70	90x283	HCGW2H203#F283W2	

* For Bolt mounting, length dimensions increase by +3 mm

** Please contact us if load condition exceeds terminals related $I_{r,max}$ referred on page 11

Additional designs on request · Weitere Designs auf Anfrage

> Ripple Current Multiplier · Wechselstrommultiplikator

Frequency [Hz]	50/60	120	300	1k	≥ 10k
Multiplier	0.70	1.00	1.18	1.34	1.45

Temperature (°C)	40	45	50	55	60	65	70	75	80	85
Multiplier	2.5	2.4	2.3	2.2	2.0	1.8	1.6	1.4	1.2	1.0

Forced cooling – Wind speed [m/sec]	v < 0.25	v ≥ 0.25	v ≥ 0.5	v ≥ 1.0	v ≥ 2.0	v ≥ 3.0
Multiplier	1.00	1.05	1.10	1.15	1.20	1.25

> Life Time Table · Brauchbarkeitsdauer – Tabelle

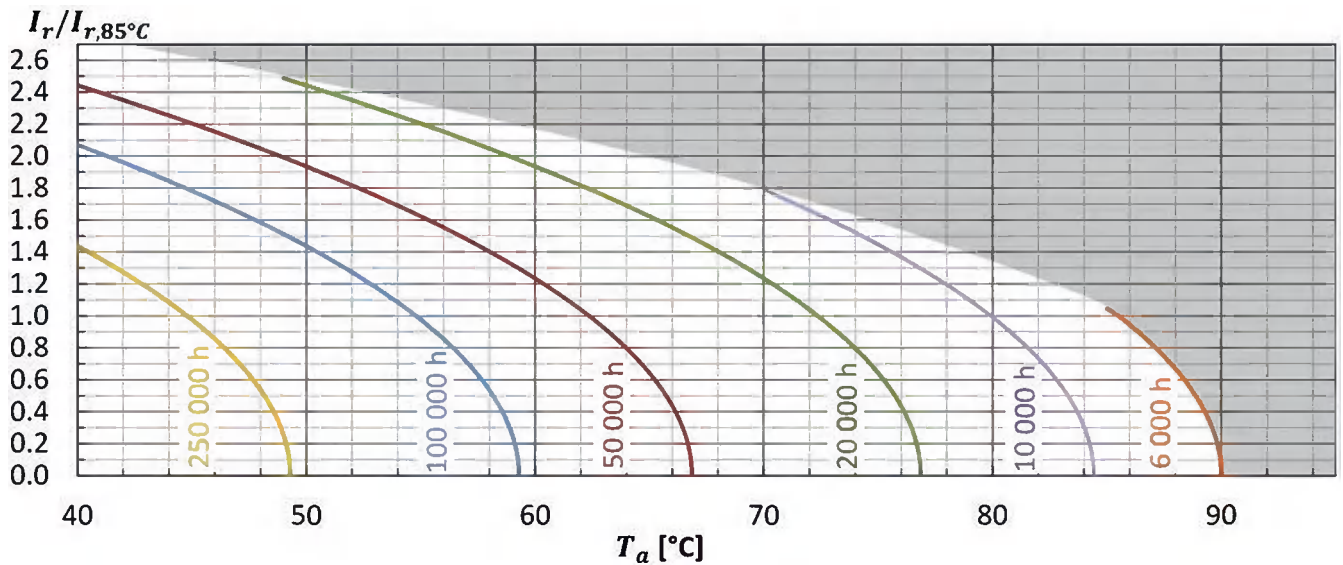
HCGW I_r at 85°C	Useful life as function of ambient temperature and ripple current											
	x 1.0	x 1.2	x 1.4	x 1.6	x 1.8	x 1.9	x 2.0	x 2.1	x 2.2	x 2.3	x 2.4	x 2.5
$T_a = 40°C$	250	250	250	203	154	132	112	95	79	66	54	44
$T_a = 45°C$	245	204	165	128	97	83	71	60	50	41	34	
$T_a = 50°C$	155	129	104	81	61	52	45	38	31	26		
$T_a = 55°C$	98	81	66	51	38	33	28	24	20			
$T_a = 60°C$	62	51	41	32	24	21	18					
$T_a = 65°C$	39	32	26	20	15							
$T_a = 70°C$	24	20	16	13								
$T_a = 75°C$	15	13	10									
$T_a = 80°C$	9	8										
$T_a = 85°C$	6											

khrs Max. value limited to 250 000 hours.

> Life Time Graph · Brauchbarkeitsdauer – Diagramm

Useful life depending on ambient temperature T_a and ripple current operating conditions I_r versus rated ripple current at the upper category temperature $I_r, 85°C, 120Hz$

Brauchbarkeitsdauer in Abhängigkeit von Umgebungstemperatur T_a und Wechselstrombelastung I_r im Verhältnis zur max. Wechselstrombelastung bei oberer Kategorie-temperatur $I_r, 85°C, 120Hz$



> Life Time Tests and Requirements · Anforderungen Brauchbarkeitsdauer

Life time test	Test procedure	Life time criteria
Endurance test	$T_a = 85°C$; V_r, I_r applied 4000 hours	$\Delta C/C \leq 10\%$ (of initial value) $\tan\delta \leq 175\%$ (of specified value) $I_L \leq$ specified value
Useful life	$T_a = 85°C$; V_r, I_r applied 6000 hours	$\Delta C/C \leq 15\%$ (of initial value) $\tan\delta < 200\%$ (of specified value) $I_L \leq$ specified value

Reference Specification: JIS C 5101-4, JIS C 5102, IEC 60384-4

HCGW2 · Screw-Terminal · 6000 h/85 °C

Higher capacitance · Ultra compact

Optional design for permanent and deep charge-discharge application with high voltage hub and pulsed operation mode upon request.

Spezielles Design für häufige und tiefe Lade-, Entladeanwendungen mit hohem Spannungshub und Impulsbetrieb auf Anfrage erhältlich.

> Specifications · Spezifikationen

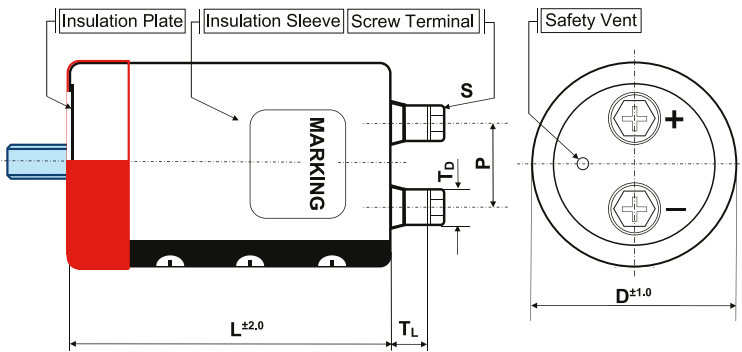
Items	Characteristics
Temperature range	-10°C ~ + 85°C
Capacitance tolerance (at 20°C)	Standard +/- 20%, -10/+30% on request
Surge voltage	Repetitive max. 30 sec per 6 Minutes
Leakage current max. I _L (20°C, 5 min)	0.01 • C • V, [μA] or 7 mA, which is smaller.
Useful life	6000 hours at 85°C
Field failure rate	0.5 FIT = 0.5 • 10 ⁻⁹ Failures/hour
Reference standards	IEC 60384-4, JIS C 5101-4
Vibration	0.75mm, 10...55Hz, 10g, 3x2h
Outer materials	UL94-V0/UL224-VW1 certified (cap/sleeve)
Sleeve withstanding voltage	4000 Vac/1min between terminals bundled and plate*
Product Compliance	RoHS, REACH, Conflict Minerals a.o. – refer to p. 12–13

* Typical value



> Shape designation · Formbezeichnung

- additional information on p. 10–11 · Zusatzinformationen auf S. 10–11
- mounting accessories from p. 181 · Montagezubehör ab S. 181



Shape code Features	B Bolt	I/Y double sleeve for 2/3 points metal Bracket	N standard
outer insulation sleeve	•	•	•
insulation plate	•	•	•
stud bolt	•		
bottom double sleeve		•	

diameter code	ØD	available shape	P	S	T _L	T _D	Cap material
E	77	B, N, I, Y	31.5	M6x12	9.0	12	PH
				M5x10	8.0	11	PH
F	90	B, N, I, Y	31.5	M6x12	8.0	12	PH
				M5x10	7.0	11	PH

Size in mm. First listed terminal is standard.

> Product Code · Bestellbezeichnung

Example: Series HCGW2 · 29000 μF · +/- 20 % · 400 V · D=90 mm · L=230 mm with Y-Bracket

HCGW2 **2G** **293** **Y** **F** **230**

Series name	Capacitance code		Shape code	Diameter code	Capacitance tolerance	Specific features (e.g. M5 ...)
Rated voltage code						
Code	Voltage	Code	Voltage			
2V	350	2W	450			
2G	400	2H	500			

Ø : ± 20 %
Q : -10 % ~ +30 %

Case length code – length in mm (3 digits)

Rated VoltageCode (Surge Voltage) V_r [V DC]	Capacitance C_r [μF]	Ripple Current at 85°C/120Hz I_r [A RMS]	Ripple Current at 40°C/120Hz [A RMS]	ESR (typ) at 20°C/100Hz [m Ω]	Zmax at 20°C/10kHz [m Ω]	ESL (typ) [nH]	Dissipation Factor at 20°C/120Hz $\tan \delta$	DxL [mm]	Product Code # = variable value, see fixing code in the product code
400 VDC Code: 2G Surge Voltage 450 VDC	13 000	13.0	32.5	26	27	20	0.70	77x148	HCGW22G133#E148
	14 000	13.4	33.5	24	25	20	0.70	77x148	HCGW22G143#E148
	16 000	15.5	38.8	21	22	20	0.70	77x188	HCGW22G163#E188
	18 000	16.4	41.0	19	20	20	0.70	90x150	HCGW22G183#F150
	19 000	17.5	43.8	18	20	20	0.70	90x167	HCGW22G193#F167
	20 000	18.8	47.0	17	18	20	0.70	77x228	HCGW22G203#E228
	23 000	19.8	49.5	15	16	20	0.70	90x190	HCGW22G233#F190
	29 000	23.9	59.8	12	13	20	0.70	90x230	HCGW22G293#F230
450 VDC Code: 2W Surge Voltage 500 VDC	7 000	8.4	21.0	56	52	20	0.70	77x108	HCGW22W702#E108
	10 000	10.9	27.3	40	42	20	0.70	77x148	HCGW22W103#E148
	12 000	12.5	31.3	33	35	20	0.70	77x165	HCGW22W123#E165
	14 000	13.8	34.5	29	30	20	0.70	77x188	HCGW22W143#E188
	15 000	14.3	35.8	27	29	20	0.70	90x150	HCGW22W153#F150
	17 000	15.8	39.5	24	26	20	0.70	90x167	HCGW22W173#F167
	18 000	17.0	42.5	22	23	20	0.70	77x228	HCGW22W183#E228
	20 000	17.6	44.0	20	21	20	0.70	90x190	HCGW22W203#F190
	22 000	19.8	49.5	18	19	20	0.70	90x230	HCGW22W223#F230
	25 000	21.2	53.0	16	17	20	0.70	90x230	HCGW22W253#F230
500 VDC Code: 2H Surge Voltage 550 VDC	7 500	9.5	23.8	47	48	20	0.70	77x148	HCGW22H752#E148
	9 000	10.9	27.3	40	41	20	0.70	77x165	HCGW22H902#E165
	10 000	11.7	29.3	36	38	20	0.70	77x188	HCGW22H103#E188
	11 000	12.2	30.5	33	34	20	0.70	90x150	HCGW22H113#F150
	13 000	14.5	36.3	28	29	20	0.70	77x228	HCGW22H133#E228
		14.0	35.0	28	29	20	0.70	90x167	HCGW22H133#F167
	15 000	15.3	38.3	24	25	20	0.70	90x190	HCGW22H153#F190
	18 000	18.1	45.3	20	21	20	0.70	90x230	HCGW22H183#F230
	19 000	18.5	46.3	19	20	20	0.70	90x230	HCGW22H193#F230
22 000	21.3	53.3	16	17	20	0.70	90x268	HCGW22H223#F268	

Additional designs on request · Weitere Designs auf Anfrage

> Ripple Current Multiplier · Wechselstrommultiplikator

Frequency [Hz]	50/60	120	300	1k	≥ 10k
Multiplier	0.70	1.00	1.18	1.34	1.45

Temperature (°C)	40	45	50	55	60	65	70	75	80	85
Multiplier	2.5	2.4	2.3	2.2	2.0	1.8	1.6	1.4	1.2	1.0

Forced cooling – Wind speed [m/sec]	v < 0.25	v ≥ 0.25	v ≥ 0.5	v ≥ 1.0	v ≥ 2.0	v ≥ 3.0
Multiplier	1.00	1.05	1.10	1.15	1.20	1.25

> Life Time Table · Brauchbarkeitsdauer – Tabelle

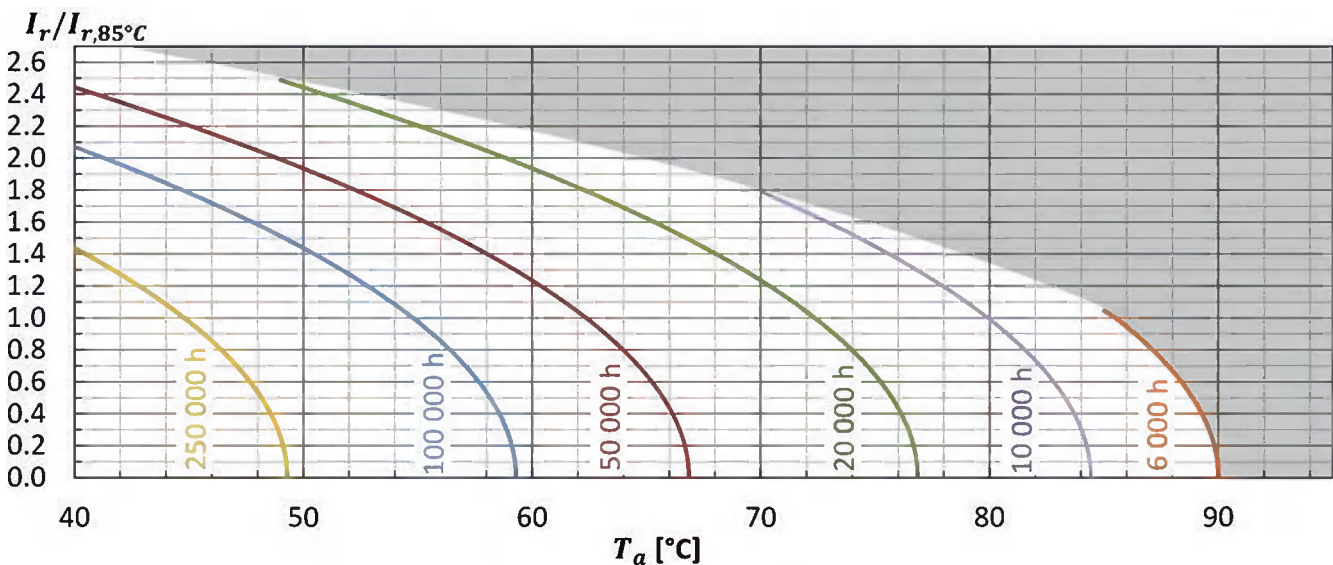
HCGW2	Useful life as function of ambient temperature and ripple current											
I_r at 85°C	x 1.0	x 1.2	x 1.4	x 1.6	x 1.8	x 1.9	x 2.0	x 2.1	x 2.2	x 2.3	x 2.4	x 2.5
$T_a = 40°C$	250	250	250	203	154	132	112	95	79	66	54	44
$T_a = 45°C$	245	204	165	128	97	83	71	60	50	41	34	
$T_a = 50°C$	155	129	104	81	61	52	45	38	31	26		
$T_a = 55°C$	98	81	66	51	38	33	28	24	20			
$T_a = 60°C$	62	51	41	32	24	21	18					
$T_a = 65°C$	39	32	26	20	15							
$T_a = 70°C$	24	20	16	13								
$T_a = 75°C$	15	13	10									
$T_a = 80°C$	9	8										
$T_a = 85°C$	6											

khrs Max. value limited to 250 000 hours.

> Life Time Graph · Brauchbarkeitsdauer – Diagramm

Useful life depending on ambient temperature T_a and ripple current operating conditions I_r versus rated ripple current at the upper category temperature $I_{r, 85°C, 120Hz}$

Brauchbarkeitsdauer in Abhängigkeit von Umgebungstemperatur T_a und Wechselstrombelastung I_r im Verhältnis zur max. Wechselstrombelastung bei oberer Kategorie-temperatur $I_{r, 85°C, 120Hz}$



> Life Time Tests and Requirements · Anforderungen Brauchbarkeitsdauer

Life time test	Test procedure	Life time criteria
Endurance test	$T_a = 85^{\circ}\text{C}$; V_r , I_r applied 4000 hours	$\Delta C/C \leq 10\%$ (of initial value) $\text{Tan}\delta \leq 175\%$ (of specified value) $I_L \leq$ specified value
Useful life	$T_a = 85^{\circ}\text{C}$; V_r , I_r applied 6000 hours	$\Delta C/C \leq 15\%$ (of initial value) $\text{Tan}\delta < 200\%$ (of specified value) $I_L \leq$ specified value

Reference Specification: JIS C 5101-4, JIS C 5102, IEC 60384-4

HCGW3 · Screw-Terminal · 5000 h/70 °C

Highest capacitance · Most Compact

Optional design for permanent and deep charge-discharge application with high voltage hub and pulsed operation mode upon request.

Spezielles Design für häufige und tiefe Lade-, Entladeanwendungen mit hohem Spannungshub und Impulsbetrieb auf Anfrage erhältlich.

> Specifications · Spezifikationen

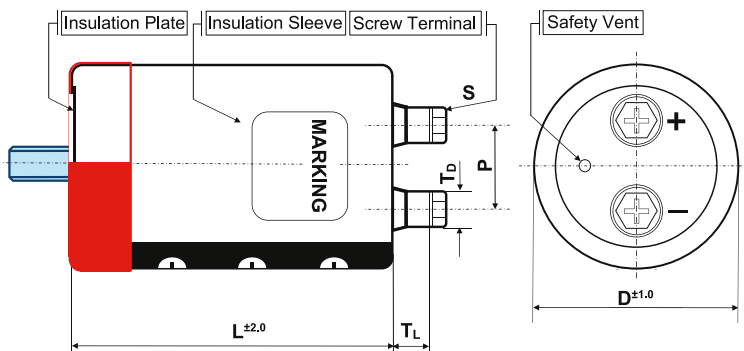
Items	Characteristics
Temperature range	-10°C ~ + 70°C
Capacitance tolerance (at 20°C)	Standard +/- 20%, -10/+30% on request
Surge voltage	Repetitive max. 30 sec per 6 Minutes
Leakage current max. I _L (20°C, 5 min)	0.01 · C · V, [μA] or 7 mA, which is smaller.
Useful life	5000 hours at 70°C
Field failure rate	0.5 FIT = 0.5 · 10 ⁻⁹ Failures/hour
Reference standards	IEC 60384-4, JIS C 5101-4
Vibration	0.75mm, 10...55Hz, 10g, 3x2h
Outer materials	UL94-V0/UL224-VW1 certified (cap/sleeve)
Sleeve withstanding voltage	4000 Vac/1min between terminals bundled and plate*
Product Compliance	RoHS, REACH, Conflict Minerals a.o. – refer to p. 12–13

* Typical value



> Shape designation · Formbezeichnung

- additional information on p. 10–11 · Zusatzinformationen auf S. 10–11
- mounting accessories from p. 181 · Montagezubehör ab S. 181



Shape code Features	B Bolt	I/Y double sleeve for 2/3 points metal Bracket	N standard
outer insulation sleeve	•	•	•
insulation plate	•	•	•
stud bolt	•		
bottom double sleeve		•	

diameter code	ØD	available shape	P	S	T _L	T _D	Cap material
E	77	B, N, I, Y	31.5	M6x12	9.0	12	PH
				M5x10	8.0	11	PH
F	90	B, N, I, Y	31.5	M6x12	8.0	12	PH
				M5x10	7.0	11	PH

Size in mm. First listed terminal is standard.

> Product Code · Bestellbezeichnung

Example: Series HCGW3 · 36000 µF · 400 V · D=90 mm · L=230mm with Y-Bracket

HCGW3 2G 363 Y F 230

Series name		Capacitance code		Shape code		Diameter code		Capacitance tolerance		Specific features	
		Rated voltage code						Ø : ± 20 % Q : -10 % ~ +30 %			
Code	Voltage	Code	Voltage								
2V	350	2W	450								
2G	400	2H	500								

Case length code – length in mm (3 digits)

Rated Voltage Code (Surge Voltage) V_r [V DC]	Capacitance C_r [µF]	Ripple Current at 70°C/120Hz I_r [A RMS]	Ripple Current at 40°C/120Hz [A RMS]	ESR (typ) at 20°C/100Hz [mΩ]	Zmax at 20°C/10kHz [mΩ]	ESL (typ) [nH]	Dissipation Factor at 20°C/120Hz Tan δ	DxL [mm]	Product Code # = variable value, see fixing code in the product code
350 VDC Code: 2V Surge Voltage 400 VDC	19 000	15.8	36.3	18	19	20	0.70	77x148	HCGW32V193#E148
	21 000	17.3	39.8	16	17	20	0.70	77x165	HCGW32V213#E165
	25 000	19.4	44.6	14	15	20	0.70	77x188	HCGW32V253#E188
	28 000	20.4	46.9	12	13	20	0.70	90x150	HCGW32V283#F150
	30 000	22.0	50.6	12	13	20	0.70	90x167	HCGW32V303#F167
	31 000	23.4	53.8	11	12	20	0.70	77x228	HCGW32V313#E228
	35 000	24.3	55.9	10	11	20	0.70	90x190	HCGW32V353#F190
	44 000	29.5	67.9	8	9	20	0.70	90x230	HCGW32V443#F230
400 VDC Code: 2G Surge Voltage 450 VDC	51 000	34.2	78.7	7	8	20	0.70	90x268	HCGW32V513#F268
	16 000	14.5	33.4	21	22	20	0.70	77x148	HCGW32G163#E148
	17 000	15.6	35.9	20	21	20	0.70	77x165	HCGW32G173#E165
	20 000	17.4	40.0	17	18	20	0.70	77x188	HCGW32G203#E188
	22 000	18.2	41.9	16	17	20	0.70	90x150	HCGW32G223#F150
	24 000	19.7	45.3	14	15	20	0.70	90x167	HCGW32G243#F167
	25 000	21.0	48.3	14	15	20	0.70	77x228	HCGW32G253#E228
	29 000	22.1	50.8	12	13	20	0.70	90x190	HCGW32G293#F190
450 VDC Code: 2W Surge Voltage 500 VDC	36 000	26.8	61.6	10	11	20	0.70	90x230	HCGW32G363#F230
	42 000	31.0	71.3	8	9	20	0.70	90x268	HCGW32G423#F268
	8 600	9.3	21.4	47	43	20	0.70	77x108	HCGW32W862#E108
	13 000	12.5	28.8	31	32	20	0.70	77x148	HCGW32W133#E148
		13.0	29.9	31	32	20	0.70	90x126	HCGW32W133#F126
	14 000	13.4	30.8	29	29	20	0.70	90x126	HCGW32W143#F126
	15 000	14.0	32.2	27	28	20	0.70	77x165	HCGW32W153#E165
	16 000	14.8	34.0	25	26	20	0.70	90x150	HCGW32W163#F150
	17 000	15.3	35.2	23	25	20	0.70	77x188	HCGW32W173#E188
	18 000	15.7	36.1	22	23	20	0.70	90x150	HCGW32W183#F150
	21 000	17.6	40.5	19	20	20	0.70	90x167	HCGW32W213#F167
	22 000	18.8	43.2	18	19	20	0.70	77x228	HCGW32W223#E228
25 000	19.6	45.1	16	17	20	0.70	90x190	HCGW32W253#F190	
32 000	24.1	55.4	12	13	20	0.70	90x230	HCGW32W323#F230	
35 000	26.8	61.7	11	12	20	0.70	90x268	HCGW32W353#F268	

Additional designs on request · Weitere Designs auf Anfrage

HCGW3 · Screw-Terminal · 5000 h/70 °C

Rated VoltageCode (Surge Voltage) V_r [V DC]	Capacitance C_r [μ F]	Ripple Current at 70°C/120Hz I_r [A RMS]	Ripple Current at 40°C/120Hz [A RMS]	ESR (typ) at 20°C/100Hz [m Ω]	Zmax at 20°C/10kHz [m Ω]	ESL (typ) [nH]	Dissipation Factor at 20°C/120Hz Tan δ	DxL [mm]	Product Code # = variable value, see fixing code in the product code
500 VDC Code: 2H Surge Voltage 550 VDC	10 000	11.0	25.3	36	37	20	0.70	77x148	HCGW32H103#E148
	12 000	12.5	28.8	30	31	20	0.70	77x165	HCGW32H123#E165
	14 000	13.9	32.0	26	27	20	0.70	77x188	HCGW32H143#E188
	15 000	14.3	32.9	24	25	20	0.70	90x150	HCGW32H153#F150
	17 000	16.5	38.0	21	22	20	0.70	77x228	HCGW32H173#E228
		15.9	36.6	21	22	20	0.70	90x167	HCGW32H173#F167
	20 000	17.6	40.5	18	19	20	0.70	90x190	HCGW32H203#F190
	25 000	21.4	49.2	15	15	20	0.70	90x230	HCGW32H253#F230
28 000	24.1	55.4	13	13	20	0.70	90x268	HCGW32H283#F268	

Additional designs on request · Weitere Designs auf Anfrage

> Ripple Current Multiplier · Wechselstrommultiplikator

Frequency [Hz]	50/60	120	300	1k	$\geq 10k$	Forced cooling – Wind speed [m/sec]	$v < 1.0$	$v \geq 1.0$
Multiplier	0.70	1.00	1.05	1.10	1.35	Multiplier	1.00	1.10

Ta (°C)	40	45	50	55	60	65	70
Multiplier	2.3	2.2	2.1	1.9	1.7	1.4	1.0

> Life Time Table · Brauchbarkeitsdauer – Tabelle

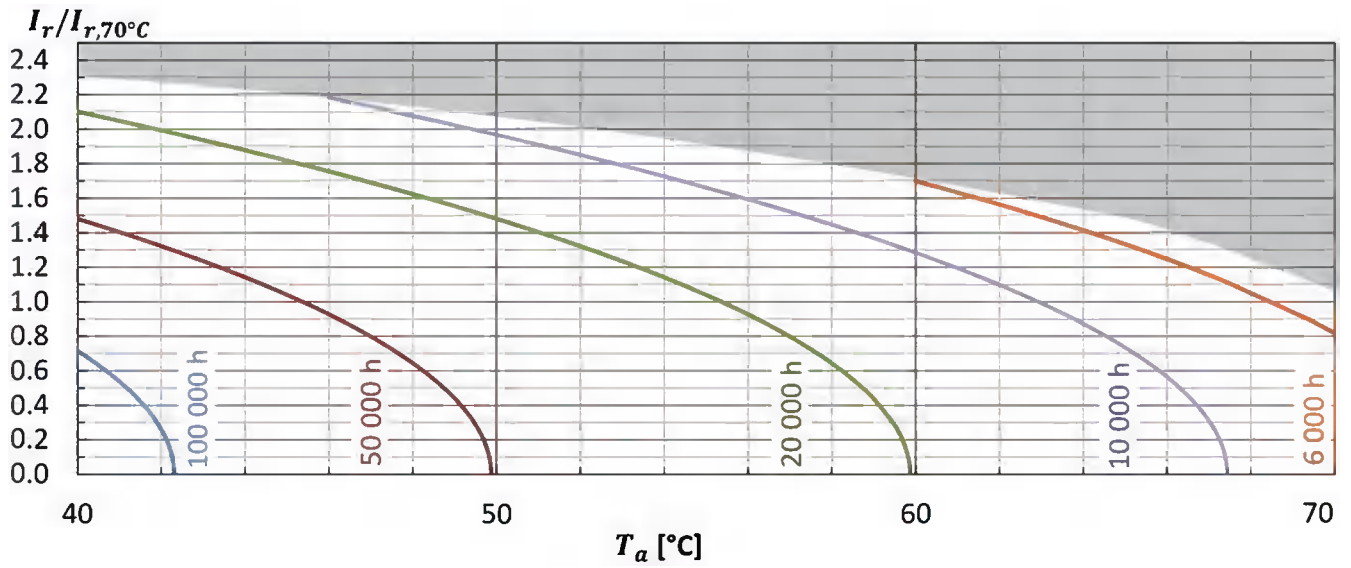
HCGW3	Useful life as function of ambient temperature and ripple current										
I_r at 70°C	0.0	0.5	1.0	1.2	1.4	1.7	1.9	2.0	2.1	2.2	2.3
T _a = 40°C	123	111	81	68	55	37	27	23	20	16	13
T _a = 45°C	78	70	51	43	34	23	17	15	12	10	
T _a = 50°C	49	44	32	27	22	15	11	9	8		
T _a = 55°C	31	28	20	17	13	9	7				
T _a = 60°C	19	17	13	10	8	6					
T _a = 65°C	12	11	8	6	5						
T _a = 70°C	7	7	5								

khrs

> Life Time Graph · Brauchbarkeitsdauer – Diagramm

Useful life depending on ambient temperature T_a and ripple current operating conditions I_r versus rated ripple current at the upper category temperature I_{r, 70°C, 120Hz}

Brauchbarkeitsdauer in Abhängigkeit von Umgebungstemperatur T_a und Wechselstrombelastung I_r im Verhältnis zur max. Wechselstrombelastung bei oberer Kategorie-temperatur I_{r, 70°C, 120Hz}



> Life Time Tests and Requirements · Anforderungen Brauchbarkeitsdauer

Life time test	Reference	Test procedure	Life time criteria
Endurance test	JIS-C-5101-4 JIS-C-5102 IEC 60384-4	$T_a = 70^\circ C$; V_r , I_r applied 4000 hours	$\Delta C/C \leq 10\%$ (of initial value) $\tan\delta \leq 175\%$ (of specified value) $I_L \leq$ specified value
Useful life	JIS-C-5104-4 IEC 60384-4	$T_a = 70^\circ C$; V_r , I_r applied 5000 hours	$\Delta C/C \leq 15\%$ (of initial value) $\tan\delta < 200\%$ (of specified value) $I_L \leq$ specified value

Reference Specification: JIS C 5101-4, JIS C 5102, IEC 60384-4

FXW · Screw-Terminal · 12000 h/85 °C

High Capacitance · Ultra compact · Long Life

Optional design for permanent and deep charge-discharge application with high voltage hub and pulsed operation mode upon request.

Spezielles Design für häufige und tiefe Lade-, Entladeanwendungen mit hohem Spannungshub und Impulsbetrieb auf Anfrage erhältlich.

> Specifications · Spezifikationen

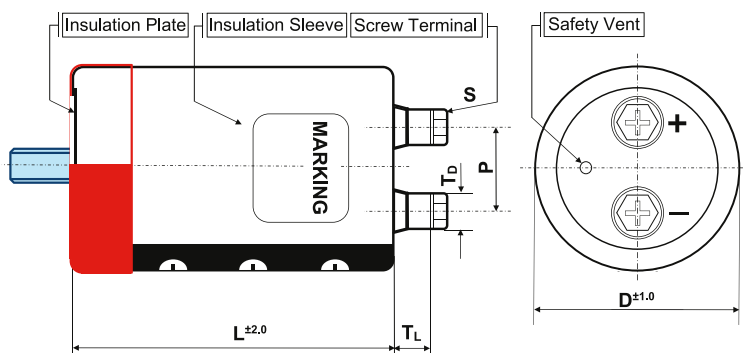
Items	Characteristics
Temperature range	-10°C ~ + 85°C
Capacitance tolerance (at 20°C)	Standard +/- 20%, -10/+30% on request
Surge voltage / Ripple voltage	Repetitive max. 30 sec per 6 Minutes / ≤ 50V
Leakage current max. I _L (20°C, 5 min)	0.01 • C • V, [μA] or 7 mA, which is smaller.
Useful life	12 000 hours at 85°C
Field failure rate	0.5 FIT = 0.5 • 10 ⁻⁹ Failures/hour
Reference standards	IEC 60384-4, JIS C 5101-4
Vibration	0.75mm, 10...55Hz, 10g, 3x2h
Outer materials	UL94-V0/UL224-VW1 certified (cap/sleeve)
Sleeve withstanding voltage	4000 Vac/1min between terminals bundled and plate*
Product Compliance	RoHS, REACH, Conflict Minerals a.o. – refer to p. 12–13

* Typical value



> Shape designation · Formbezeichnung

- additional information on p. 10–11 · Zusatzinformationen auf S. 10–11
- mounting accessories from p. 181 · Montagezubehör ab S. 181



Shape code Features	B Bolt	I/Y/X double sleeve for 2/3/4 points metal Bracket	N standard
outer insulation sleeve	•	•	•
insulation plate	•	•	•
stud bolt	•		
bottom double sleeve		•	

diameter code	ØD	available shape	P	S	T _L	T _D	Cap material
E	77	B, N, I, Y	31.5	M5x10	5.0	10	PH
				M6x12	4.5	17.2	PH
F	90	B, N, I, Y	31.5	M5x10	5.0	10	PH
				M6x12	5.0	17.2	PH
G	101	B, N, Y	31.5	M6x12	3.0	14	PPS

Size in mm. First listed terminal is standard.

> Product Code · Bestellbezeichnung

Example: Series FXW · 20000 µF +/- 20 % · 450 V · D = 101 mm · L = 195 mm with Bolt

FXW	2W	203	B	G	195
Series name	Capacitance code	Shape code	Diameter code	Capacitance tolerance	Specific features (e.g. M6 ...)
Rated voltage code					
Code	Voltage	Code	Voltage	Code	Voltage
2V	350	2G	400	2W	450
				∅ : ± 20 %	
				Q : -10 % ~ +30 %	
Case length code – length in mm (3 digits)					

Rated Voltage Code (Surge Voltage) V _r [V DC]	Capacitance C _r [µF]	Ripple Current at 85°C/120Hz I _r [A RMS]	Ripple Current at 40°C/120Hz [A RMS]	ESR (typ) at 20°C/100Hz [mΩ]	Z _{max} at 20°C/10kHz [mΩ]	ESL (typ) [nH]	Dissipation Factor at 20°C/120Hz Tan δ	DxL [mm]	Product Code # = variable value, see fixing code in the product code
350 VDC Code: 2V Surge Voltage 400 VDC	13 000	12.8	32.0	25	26	22	0.70	77x155	FXW2V133#E155PH
	17 000	16.1	40.3	19	20	22	0.70	77x195	FXW2V173#E195PH
		15.6	39.0	19	20	22	0.70	90x157	FXW2V173#F157PH
	22 000	19.8	49.5	17	18	22	0.70	77x235	FXW2V223#E235PH
	24 000	20.3	50.8	16	18	22	0.70	90x196	FXW2V243#F196PH
	30 000	24.5	61.3	12	13	22	0.70	90x236	FXW2V303#F236PH
		23.5	58.8	12	13	32	0.70	101x195	FXW2V303#G195PH
38 000	28.6	71.5	10	12	32	0.70	101x237	FXW2V383#G237PH	
400 VDC Code: 2G Surge Voltage 450 VDC	11 000	11.8	29.5	31	32	22	0.70	77x155	FXW2G113#E155PH
	13 000	14.1	35.3	26	27	22	0.70	77x195	FXW2G133#E195PH
	15 000	14.7	36.8	23	24	22	0.70	90x157	FXW2G153#F157PH
	16 000	16.9	42.3	21	22	22	0.70	77x235	FXW2G163#E235PH
	19 000	18.1	45.3	21	22	22	0.70	90x196	FXW2G193#F196PH
	24 000	21.9	54.8	17	18	22	0.70	90x236	FXW2G243#F236PH
		21.0	52.5	17	18	32	0.70	101x195	FXW2G243#G195PH
30 000	25.4	63.5	13	14	32	0.70	101x237	FXW2G303#G237PH	
450 VDC Code: 2W Surge Voltage 500 VDC	9 000	10.6	26.5	38	39	22	0.70	77x155	FXW2W902#E155PH
	11 000	12.9	32.3	31	32	22	0.70	77x195	FXW2W113#E195PH
	12 000	13.1	32.8	28	29	22	0.70	90x157	FXW2W123#F157PH
	14 000	15.8	39.5	25	27	22	0.70	77x235	FXW2W143#E235PH
	16 000	16.6	41.5	23	25	22	0.70	90x196	FXW2W163#F196PH
	20 000	20.0	50.0	19	20	22	0.70	90x236	FXW2W203#F236PH
		19.2	48.0	19	20	32	0.70	101x195	FXW2W203#G195PH
25 000	23.2	58.0	17	18	32	0.70	101x237	FXW2W253#G237PH	

Additional designs on request · Weitere Designs auf Anfrage

> Ripple Current Multiplier · Wechselstrommultiplikator

Frequency [Hz]	50/60		120		300		1k		≥ 10k	
Multiplier	0.70		1.00		1.18		1.34		1.45	
Temperature (°C)	40	45	50	55	60	65	70	75	80	85
Multiplier	2.5	2.4	2.3	2.2	2.0	1.8	1.6	1.4	1.2	1.0
Forced cooling – Wind speed [m/sec]	v < 0.25		v ≥ 0.25		v ≥ 0.5		v ≥ 1.0		v ≥ 2.0	
Multiplier	1.00		1.05		1.10		1.15		1.20	

> Life Time Table · Brauchbarkeitsdauer – Tabelle

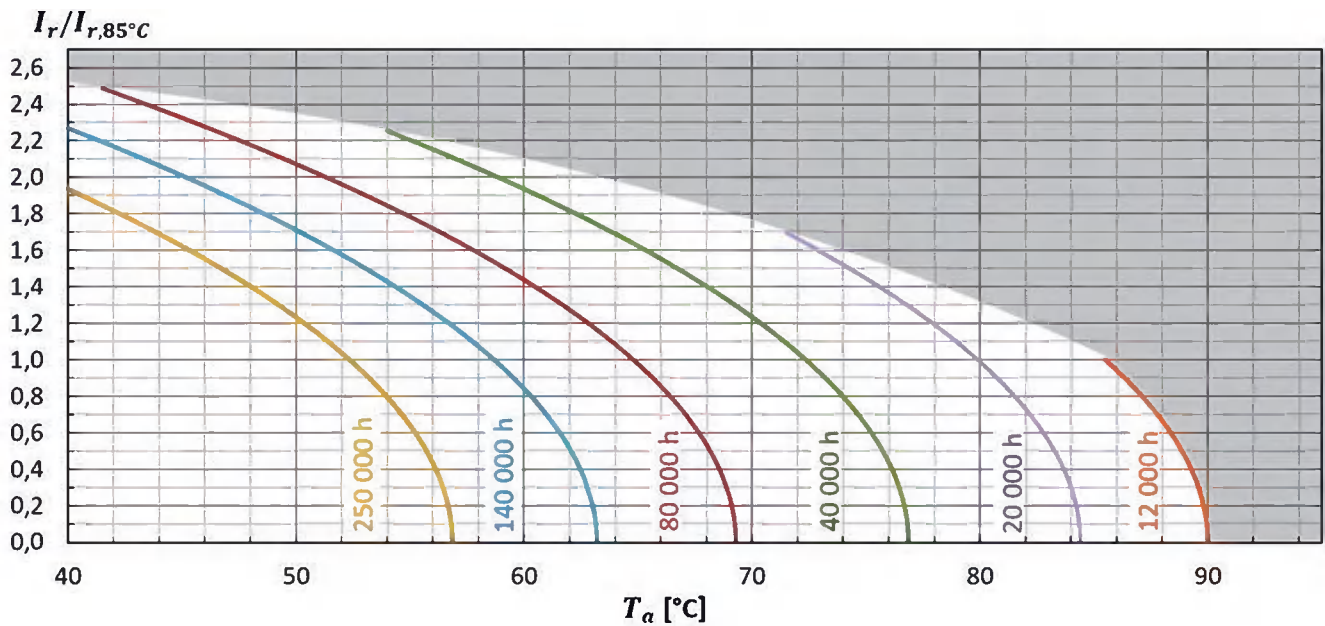
FXW	Useful life as function of ambient temperature and ripple current												
	I_r at 85°C	x 1.0	x 1.2	x 1.4	x 1.6	x 1.8	x 1.9	x 2.0	x 2.1	x 2.2	x 2.3	x 2.4	x 2.5
$T_a = 40°C$	250	250	250	250	250	250	250	225	190	159	132	108	89
$T_a = 45°C$	250	250	250	250	194	167	142	120	100	83	68		
$T_a = 50°C$	250	250	208	163	123	105	90	76	63	52			
$T_a = 55°C$	196	163	132	103	77	66	56	48	40				
$T_a = 60°C$	124	103	83	65	49	42	36						
$T_a = 65°C$	78	65	52	41	31								
$T_a = 70°C$	49	41	33	26									
$T_a = 75°C$	31	26	21										
$T_a = 80°C$	19	16											
$T_a = 85°C$	12												

Max. value limited to 250 000 hours.

> Life Time Graph · Brauchbarkeitsdauer – Diagramm

Useful life depending on ambient temperature T_a and ripple current operating conditions I_r versus rated ripple current at the upper category temperature $I_{r,85°C,120Hz}$

Brauchbarkeitsdauer in Abhängigkeit von Umgebungstemperatur T_a und Wechselstrombelastung I_r im Verhältnis zur max. Wechselstrombelastung bei oberer Kategorie-temperatur $I_{r,85°C,120Hz}$



> Life Time Tests and Requirements · Anforderungen Brauchbarkeitsdauer

Life time test	Test procedure	Life time criteria
Endurance test	$T_a = 85°C$; V_r, I_r applied 8000 hours	$\Delta C/C \leq 10\%$ (of initial value) $\tan\delta \leq 175\%$ (of specified value) $I_L \leq$ specified value
Useful life	$T_a = 85°C$; V_r, I_r applied 12000 hours	$\Delta C/C \leq 15\%$ (of initial value) $\tan\delta < 200\%$ (of specified value) $I_L \leq$ specified value

Reference Specification: JIS C 5101-4, JIS C 5102, IEC 60384-4

FXW2 · Screw-Terminal · 12000 h/85 °C

Higher Capacitance · Ultra compact · Long Life

Optional design for permanent and deep charge-discharge application with high voltage hub and pulsed operation mode upon request.

Spezielles Design für häufige und tiefe Lade-, Entladeanwendungen mit hohem Spannungshub und Impulsbetrieb auf Anfrage erhältlich.

> Specifications · Spezifikationen

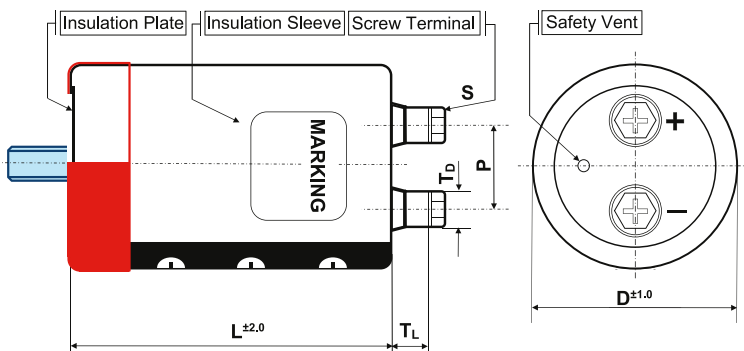
Items	Characteristics
Temperature range	-10°C ~ + 85°C
Capacitance tolerance (at 20°C)	Standard +/- 20%, -10/+30% on request
Surge voltage / Ripple voltage	Repetitive max. 30 sec per 6 Minutes / ≤ 50V
Leakage current max. I_L (20°C, 5 min)	0.01 • C • V _r [μA] or 7 mA, which is smaller.
Useful life	12 000 hours at 85°C
Field failure rate	0.5 FIT = 0.5 • 10 ⁻⁹ Failures/hour
Reference standards	IEC 60384-4, JIS C 5101-4
Vibration	0.75mm, 10...55Hz, 10g, 3x2h
Outer materials	UL94-V0/UL224-VW1 certified (cap/sleeve)
Sleeve withstanding voltage	4000 Vac/ 1min between terminals bundled and plate*
Product Compliance	RoHS, REACH, Conflict Minerals a.o. – refer to p. 12–13

* Typical value



> Shape designation · Formbezeichnung

- additional information on p. 10–11 · Zusatzinformationen auf S. 10–11
- mounting accessories from p. 181 · Montagezubehör ab S. 181



Shape code Features	B Bolt	I/Y double sleeve for 2/3 points metal Bracket	N standard
outer insulation sleeve	•	•	•
insulation plate	•	•	•
stud bolt	•		
bottom double sleeve		•	

diameter code	ØD	available shape	P	S	T _L	T _D	Cap material
E	77	B, N, I, Y	31.5	M6x12	9.0	12	PH
				M5x10	8.0	11	PH
F	90	B, N, I, Y	31.5	M6x12	8.0	12	PH
				M5x10	7.0	11	PH

Size in mm. First listed terminal is standard.

> Product Code · Bestellbezeichnung

Example: Series FXW2 · 17000 µF +/- 20 % · 400 V · D = 77 mm · L = 188 mm with Bolt

FXW2	2G	173	B	E	188
Series name	Capacitance code	Shape code	Diameter code	Capacitance tolerance	Specific features (e.g. M6 ...)
Rated voltage code				∅ : ± 20 %	
				Q : -10 % ~ +30 %	
Code	Voltage	Code	Voltage	Case length code – length in mm (3 digits)	
2V	350	2W	450		
2G	400	2H	500		

Rated Voltage Code (Surge Voltage) V_r [V DC]	Capacitance C_r [µF]	Ripple Current at 85°C/120Hz I_r [A RMS]	Ripple Current at 40°C/120Hz [A RMS]	ESR (typ) at 20°C/100Hz [mΩ]	Zmax at 20°C/10kHz [mΩ]	ESL (typ) [nH]	Dissipation Factor at 20°C/120Hz $\tan \delta$	DxL [mm]	Product Code # = variable value, see fixing code in the product code
350 VDC Code: 2V Surge Voltage 400 VDC	15 000	14.0	35.0	23	24	20	0.70	77x148	FXW22V153#E148
	20 000	17.4	43.5	17	18	20	0.70	77x188	FXW22V203#E188
	21 000	17.7	44.3	17	18	20	0.70	90x150	FXW22V213#F150
	25 000	21.0	52.5	14	15	20	0.70	77x228	FXW22V253#E228
	28 000	21.8	54.5	13	14	20	0.70	90x190	FXW22V283#F190
	35 000	26.3	65.8	10	11	20	0.70	90x230	FXW22V353#F230
400 VDC Code: 2G Surge Voltage 450 VDC	42 000	31.0	77.5	8	9	20	0.70	90x268	FXW22V423#F268
	13 000	13.0	32.5	26	27	20	0.70	77x148	FXW22G133#E148
	17 000	16.0	40.0	20	21	20	0.70	77x188	FXW22G173#E188
	18 000	16.4	41.0	19	20	20	0.70	90x150	FXW22G183#F150
	21 000	19.3	48.3	17	18	20	0.70	77x228	FXW22G213#E228
	24 000	20.2	50.5	15	16	20	0.70	90x190	FXW22G243#F190
450 VDC Code: 2W Surge Voltage 500 VDC	30 000	24.3	60.8	12	13	20	0.70	90x230	FXW22G303#F230
	34 000	27.8	69.5	10	11	20	0.70	90x268	FXW22G343#F268
	10 000	9.1	22.8	40	42	20	0.70	77x148	FXW22W103#E148
	14 000	11.5	28.8	29	30	20	0.70	77x188	FXW22W143#E188
	15 000	11.9	29.8	27	29	20	0.70	90x150	FXW22W153#F150
	17 000	13.8	34.5	24	25	20	0.70	77x228	FXW22W173#E228
500 VDC Code: 2H Surge Voltage 550 VDC	20 000	14.7	36.8	20	21	20	0.70	90x190	FXW22W203#F190
	25 000	17.8	44.5	16	17	20	0.70	90x230	FXW22W253#F230
	30 000	20.8	52.0	13	14	20	0.70	90x268	FXW22W303#F268
	7 900	8.6	21.5	45	46	20	0.70	77x148	FXW22H792#E148
	10 000	10.4	26.0	36	38	20	0.70	77x188	FXW22H103#E188
	11 000	10.8	27.0	33	34	20	0.70	90x150	FXW22H113#F150
	13 000	12.8	32.0	28	29	20	0.70	77x228	FXW22H133#E228
	14 000	13.1	32.8	26	27	20	0.70	90x190	FXW22H143#F190
	18 000	16.0	40.0	20	21	20	0.70	90x230	FXW22H183#F230
	22 000	18.9	47.3	16	17	20	0.70	90x268	FXW22H223#F268

Additional designs on request · Weitere Designs auf Anfrage

> Ripple Current Multiplier · Wechselstrommultiplikator

Frequency [Hz]	50/60		120		300		1k		≥ 10k		
Multiplier	0.70		1.00		1.18		1.34		1.45		
Temperature (°C)	40	45	50	55	60	65	70	75	80	85	
Multiplier	2.5	2.4	2.3	2.2	2.0	1.8	1.6	1.4	1.2	1.0	
Forced cooling – Wind speed [m/sec]	v < 0.25		v ≥ 0.25		v ≥ 0.5		v ≥ 1.0		v ≥ 2.0		v ≥ 3.0
Multiplier	1.00		1.05		1.10		1.15		1.20		1.25

> Life Time Table · Brauchbarkeitsdauer – Tabelle

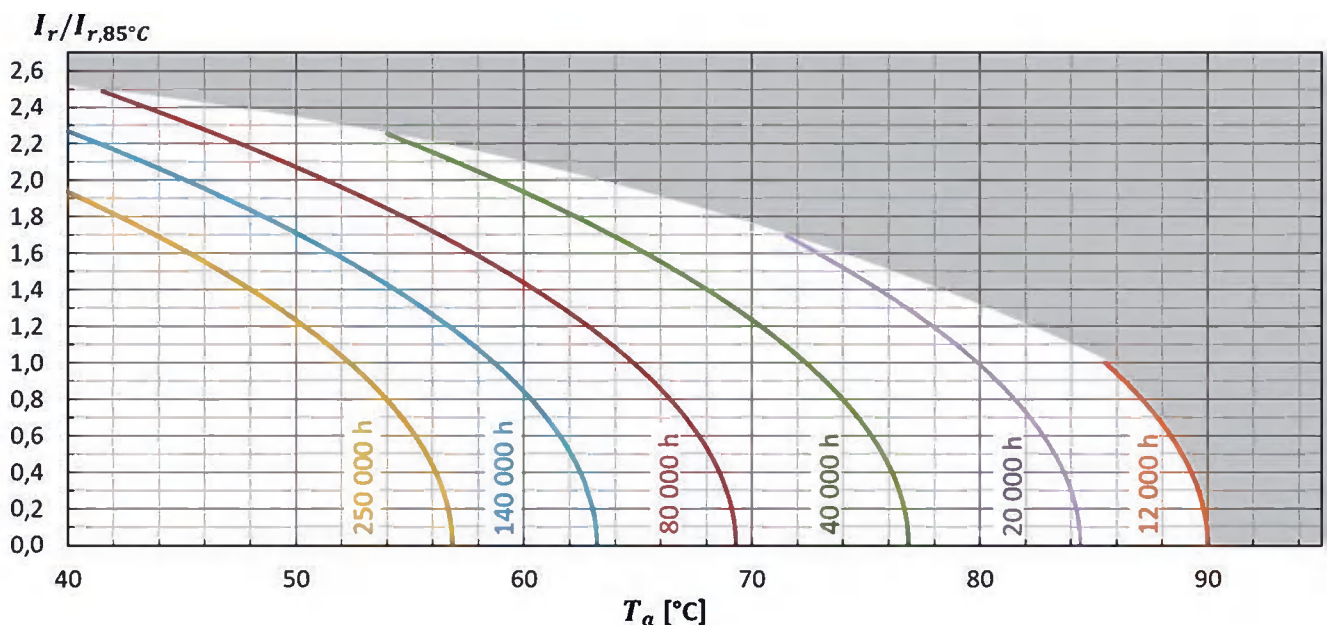
FXW2	Useful life as function of ambient temperature and ripple current											
I_r at 85°C	x 1.0	x 1.2	x 1.4	x 1.6	x 1.8	x 1.9	x 2.0	x 2.1	x 2.2	x 2.3	x 2.4	x 2.5
$T_a = 40°C$	250	250	250	250	250	250	225	190	159	132	108	89
$T_a = 45°C$	250	250	250	250	194	167	142	120	100	83	68	
$T_a = 50°C$	250	250	208	163	123	105	90	76	63	52		
$T_a = 55°C$	196	163	132	103	77	66	56	48	40			
$T_a = 60°C$	124	103	83	65	49	42	36					
$T_a = 65°C$	78	65	52	41	31							
$T_a = 70°C$	49	41	33	26								
$T_a = 75°C$	31	26	21									
$T_a = 80°C$	19	16										
$T_a = 85°C$	12											

Max. value limited to 250 000 hours.

> Life Time Graph · Brauchbarkeitsdauer – Diagramm

Useful life depending on ambient temperature T_a and ripple current operating conditions I_r versus rated ripple current at the upper category temperature $I_{r, 85°C, 120Hz}$

Brauchbarkeitsdauer in Abhängigkeit von Umgebungstemperatur T_a und Wechselstrombelastung I_r im Verhältnis zur max. Wechselstrombelastung bei oberer Kategorie-temperatur $I_{r, 85°C, 120Hz}$



> Life Time Tests and Requirements · Anforderungen Brauchbarkeitsdauer

Life time test	Test procedure	Life time criteria
Endurance test	$T_a = 85^\circ\text{C}$; V_r, I_r applied 8000 hours	$\Delta C/C \leq 10\%$ (of initial value) $\text{Tan}\delta \leq 175\%$ (of specified value) $I_L \leq$ specified value
Useful life	$T_a = 85^\circ\text{C}$; V_r, I_r applied 12000 hours	$\Delta C/C \leq 15\%$ (of initial value) $\text{Tan}\delta < 200\%$ (of specified value) $I_L \leq$ specified value

Reference Specification: JIS C 5101-4, JIS C 5102, IEC 60384-4

HCGF5 · Screw-Terminal · 6000 h/85 °C

Standard Performances · Small Diameter Design

Optional design for permanent and deep charge-discharge application with high voltage hub and pulsed operation mode upon request.

Spezielles Design für häufige und tiefe Lade-, Entladeanwendungen mit hohem Spannungshub und Impulsbetrieb auf Anfrage erhältlich.

> Specifications · Spezifikationen

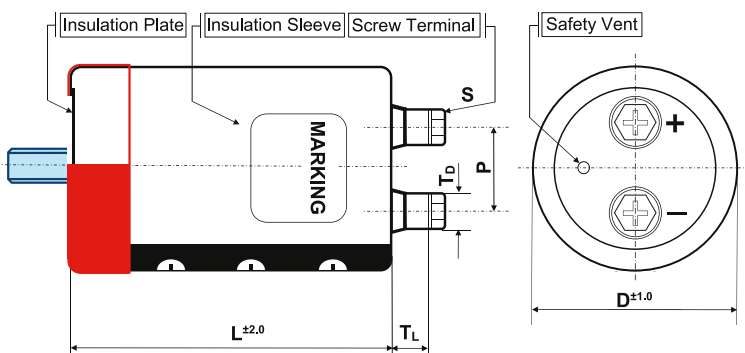
Items	Characteristics
Temperature range	-25°C ~ + 85°C
Capacitance tolerance (at 20°C)	Standard +/- 20%, -10/+30% on request
Surge voltage	Repetitive max. 30 sec per 6 Minutes
Leakage current max. I_L (20°C, 5 min)	0.01 • C • V _r [μA] or 3 mA, which is smaller.
Useful life	6000 hours at 85°C
Field failure rate	0.5 FIT = 0.5 • 10 ⁻⁹ Failures/hour
Reference standards	IEC 60384-4, JIS C 5101-4
Vibration	0.75mm, 10...55Hz, 10g, 3x2h
Outer materials	UL94-V0/UL224-VW1 certified (cap/sleeve)
Sleeve withstanding voltage	4000 Vac/ 1min between terminals bundled and plate*
Product Compliance	RoHS, REACH, Conflict Minerals a.o. – refer to p. 12–13

* Typical value



> Shape designation · Formbezeichnung

- additional information on p. 10–11 · Zusatzinformationen auf S. 10–11
- mounting accessories from p. 181 · Montagezubehör ab S. 181



Shape code Features	B Bolt	I/Y double sleeve for 2/3 points metal Bracket	N standard
outer insulation sleeve	•	•	•
insulation plate	•	•	•
stud bolt	•		
bottom double sleeve		•	

diameter code	ØD	available shape	P	S	T _L	T _D	Cap material
A	36	B, N, I	12.7	M5x10	6.5	8	PH
C	51	B, N, I, Y	22.0	M5x10	5.5	10	PH
D	64	B, N, I, Y	28.6	M5x10	5.5	10	PH
E	77	B, N, I, Y	31.5	M5x10	5.0	10	PH
				M6x12	4.5	17.2	PH
F	90	B, N, I, Y	31.5	M5x10	5.0	10	PH
				M6x12	5.0	17.2	PH
G	101	B, N, Y	31.5	M6x12	3.0	14	PH

Size in mm. First listed terminal is standard.

> Product Code · Bestellbezeichnung

Example: Series HCGF5 · 4700 µF +/- 20 % · 200 V · D=51 mm · L=96 mm with Y-Bracket

HCGF5		2D		472		Y		C		096		PH	
Series name		Capacitance code		Shape code		Diameter code		Capacitance tolerance		Specific features (e.g. M6 ...)			
Rated voltage code													
Code	Voltage	Code	Voltage	Code	Voltage								
2C	160	2D	200	2E	250								

∅ : ± 20 %
Q : -10 % ~ +30 %

Case length code – length in mm (3 digits)

Rated Voltage Code (Surge Voltage) V _r [V DC]	Capacitance C _r [µF]	Ripple Current at 85°C/120Hz I _r [A RMS]	Ripple Current at 40°C/120Hz [A RMS]	ESR (typ) at 20°C/100Hz [mΩ]	Z _{max} at 20°C/10kHz [mΩ]	ESL (typ) [nH]	Dissipation Factor at 20°C/120Hz Tan δ	DxL [mm]	Product Code # = variable value, see fixing code in the product code	
160 VDC Code: 2C Surge Voltage 200 VD	3 300	6.0	16.2	40	35	15	0.25	36x121	HCGF52C332#A121PH	
	3 900	6.1	16.5	37	28	17	0.25	51x75	HCGF52C392#C075PH	
	4 700	6.7	18.1	30	25	17	0.25	51x75	HCGF52C472#C075PH	
	5 600	8.0	21.6	26	23	17	0.25	51x96	HCGF52C562#C096PH	
	6 800	9.0	24.3	22	22	17	0.25	51x96	HCGF52C682#C096PH	
	8 200	10.5	28.4	18	19	17	0.25	51x115	HCGF52C822#C115PH	
	10 000		12.2	32.9	15	16	17	0.25	51x130	HCGF52C103#C130PH
			12.0	32.4	14	17	18	0.25	64x96	HCGF52C103#D096PH
	12 000	13.0	35.1	12	15	18	0.25	64x96	HCGF52C123#D096PH	
	15 000	16.4	44.3	11	12	18	0.25	64x130	HCGF52C153#D130PH	
	18 000	17.9	48.3	9	11	18	0.25	64x130	HCGF52C183#D130PH	
	22 000	21.0	56.7	8	8	20	0.25	77x130	HCGF52C223#E130PH	
	27 000	23.2	62.6	7	8	20	0.25	77x130	HCGF52C273#E130PH	
	33 000	27.4	74.0	6	7	20	0.25	90x131	HCGF52C333#F131PH	
	39 000	32.1	86.7	5	7	20	0.25	90x157	HCGF52C393#F157PH	
	47 000	37.1	100.2**	5	7	20	0.25	77x195	HCGF52C473#E195PH	
50 000	39.2	105.8**	5	7	20	0.25	77x220	HCGF52C503#E220PH		
52 000		40.0	108.0**	5	6	20	0.25	77x220	HCGF52C523#E220PH	
		40.3	108.8**	5	6	20	0.25	90x196	HCGF52C523#F196PH	
		42.6	115.0**	4	6	20	0.25	90x203	HCGF52C683#F203PH	
		55.7	150.4**	4	6	29	0.25	101x250*	HCGF52C104#G250PH	
200 VDC Code: 2D Surge Voltage 250 VD	2 200	4.5	12.2	68	60	15	0.25	36x100	HCGF52D222#A100PH	
	2 700	5.4	14.6	48	39	15	0.25	36x121	HCGF52D272#A121PH	
	3 300	5.6	15.1	43	35	17	0.25	51x75	HCGF52D332#C075PH	
	3 900	6.1	16.5	37	30	17	0.25	51x75	HCGF52D392#C075PH	
	4 700	7.4	20.0	30	27	17	0.25	51x96	HCGF52D472#C096PH	
	5 600	8.6	23.2	26	25	17	0.25	51x115	HCGF52D562#C115PH	
	6 800	10.1	27.3	21	20	17	0.25	51x130	HCGF52D682#C130PH	
	8 200	10.8	29.2	17	18	18	0.25	64x96	HCGF52D822#D096PH	
	10 000	12.0	32.4	14	14	18	0.25	64x96	HCGF52D103#D096PH	
	12 000	13.9	37.5	12	14	20	0.25	77x96	HCGF52D123#E096PH	
	15 000	16.6	44.8	10	13	20	0.25	77x96	HCGF52D153#E096PH	
	18 000	19.0	51.3	8	12	20	0.25	77x130	HCGF52D183#E130PH	

Additional designs on request · Weitere Designs auf Anfrage

Rated VoltageCode (Surge Voltage) V_r [V DC]	Capacitance C_r [μ F]	Ripple Current at 85°C/120Hz I_r [A RMS]	Ripple Current at 40°C/120Hz [A RMS]	ESR (typ) at 20°C/100Hz [m Ω]	Zmax at 20°C/10kHz [m Ω]	ESL (typ) [nH]	Dissipation Factor at 20°C/120Hz Tan δ	DxL [mm]	Product Code # = variable value, see fixing code in the product code
200 VDC Code: 2D Surge Voltage 250 VD	20 000	21.0	56.7	8	8	20	0.25	77x145	HCGF52D203#E145PH
	22 000	22.5	60.8	7	7	20	0.25	77x155	HCGF52D223#E155PH
	27 000	28.9	78.0	6	7	20	0.25	77x220	HCGF52D273#E220PH
		24.8	67.0	6	7	20	0.25	90x131	HCGF52D273#F131PH
	33 000	29.3	79.1	5	7	20	0.25	90x157	HCGF52D333#F157PH
	39 000	34.7	93.7	5	7	20	0.25	77x220	HCGF52D393#E220PH
	40 000	32.3	87.2	5	7	20	0.25	90x157	HCGF52D403#F157PH
	52 000	40.3	108.8**	5	7	20	0.25	90x196	HCGF52D523#F196PH
250 VDC Code: 2E Surge Voltage 300 VD	1 500	3.7	10.0	56	50	15	0.25	36x100	HCGF52E152#A100PH
	1 800	4.0	10.8	52	44	15	0.25	36x100	HCGF52E182#A100PH
	2 200	4.6	12.4	50	40	17	0.25	51x75	HCGF52E222#C075PH
	2 700	5.1	13.8	41	36	17	0.25	51x75	HCGF52E272#C075PH
	3 300	6.2	16.7	36	35	17	0.25	51x96	HCGF52E332#C096PH
	3 900	7.2	19.4	31	30	17	0.25	51x115	HCGF52E392#C115PH
	4 700	8.2	22.1	25	23	18	0.25	64x96	HCGF52E472#D096PH
	5 600	9.0	24.3	21	21	18	0.25	64x96	HCGF52E562#D096PH
	6 800	10.5	28.4	18	18	18	0.25	64x115	HCGF52E682#D115PH
		11.5	31.0	15	16	18	0.25	64x115	HCGF52E822#D115PH
	10 000	13.5	36.4	12	14	18	0.25	64x130	HCGF52E103#D130PH
		14.7	39.7	12	13	20	0.25	77x148	HCGF52E103#E148PH
	12 000	14.8	40.0	10	11	20	0.25	77x115	HCGF52E123#E115PH
	15 000	17.4	47.0	8	11	20	0.25	77x130	HCGF52E153#E130PH
	18 000	20.4	55.1	7	10	20	0.25	77x155	HCGF52E183#E155PH
	22 000	24.0	64.8	6	8	20	0.25	90x157	HCGF52E223#F157PH
26 000	26.8	72.4	6	7	20	0.25	77x220	HCGF52E263#E220PH	

* For Bolt mounting, length dimensions increase by +3 mm

** Please contact us if load condition exceeds terminals related $I_{r,max}$ referred on page 11

Additional designs on request · Weitere Designs auf Anfrage

> Ripple Current Multiplier · Wechselstrommultiplikator

Frequency [Hz]	50/60	120	300	1k	≥ 10k
Multiplier	0.80	1.00	1.18	1.34	1.45

Temperature (°C)	40	45	50	55	60	65	70	75	80	85
Multiplier	2.7	2.6	2.4	2.2	2.0	1.8	1.6	1.4	1.2	1.0

Forced cooling – Wind speed [m/sec]	v < 0.25	v ≥ 0.25	v ≥ 0.5	v ≥ 1.0	v ≥ 2.0	v ≥ 3.0
Multiplier	1.00	1.05	1.10	1.15	1.20	1.25

> Life Time Table · Brauchbarkeitsdauer – Tabelle

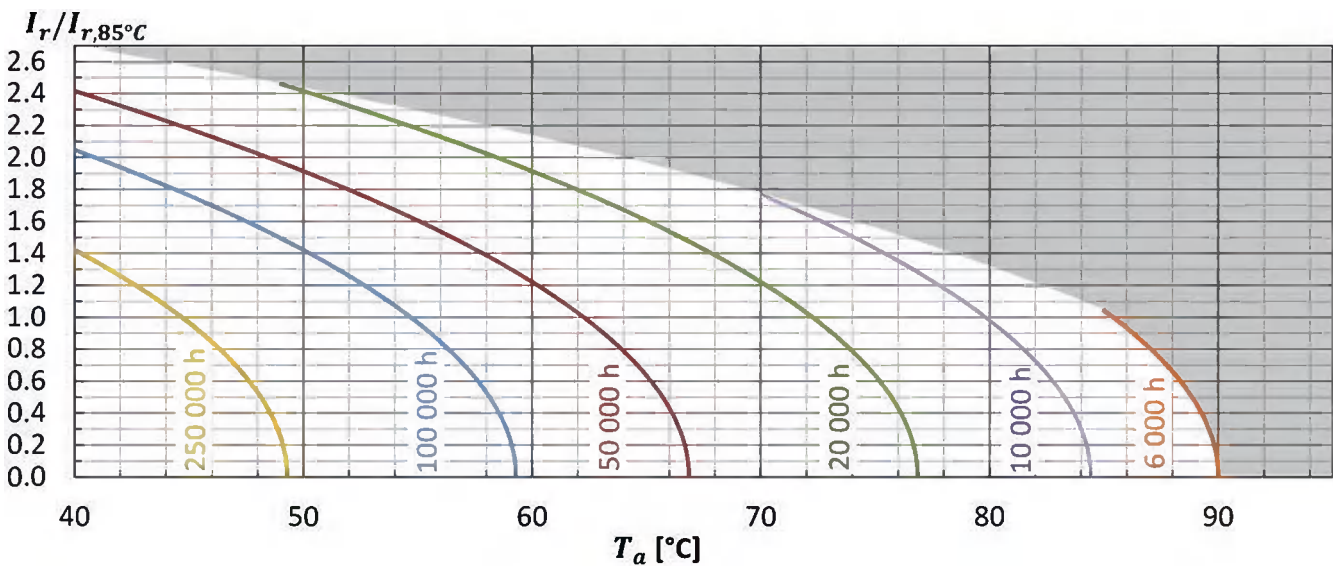
HCGF5 I _r at 85°C	Useful life as function of ambient temperature and ripple current												
	x 1.0	x 1.2	x 1.4	x 1.6	x 1.8	x 2.0	x 2.1	x 2.2	x 2.3	x 2.4	x 2.5	x 2.6	x 2.7
T _a = 40°C	250	250	250	199	149	108	91	76	63	51	42	33	27
T _a = 45°C	243	201	162	125	94	68	57	48	39	32	26	21	
T _a = 50°C	153	127	102	79	59	43	36	30	25	20			
T _a = 55°C	97	80	64	50	37	27	23	19					
T _a = 60°C	61	51	41	31	23	17							
T _a = 65°C	38	32	25	20	15								
T _a = 70°C	24	20	16	12									
T _a = 75°C	15	12	10										
T _a = 80°C	9	8											
T _a = 85°C	6												

khrs Max. value limited to 250 000 hours.

> Life Time Graph · Brauchbarkeitsdauer – Diagramm

Useful life depending on ambient temperature T_a and ripple current operating conditions I_r versus rated ripple current at the upper category temperature I_{r,85°C,120Hz}

Brauchbarkeitsdauer in Abhängigkeit von Umgebungstemperatur T_a und Wechselstrombelastung I_r im Verhältnis zur max. Wechselstrombelastung bei oberer Kategorie-temperatur I_{r,85°C,120Hz}



> Life Time Tests and Requirements · Anforderungen Brauchbarkeitsdauer

Life time test	Test procedure	Life time criteria
Endurance test	T _a = 85°C; V _r , I _r applied 4000 hours	ΔC/C ≤ 10% (of initial value) Tanδ ≤ 175% (of specified value) I _l ≤ specified value
Useful life	T _a = 85°C; V _r , I _r applied 6000 hours	ΔC/C ≤ 15% (of initial value) Tanδ < 200% (of specified value) I _l ≤ specified value

Reference Specification: JIS C 5101-4, JIS C 5102, IEC 60384-4

HCGF6 · Screw-Terminal · 6000 h/85 °C

Standard Performances · Compact

Optional design for permanent and deep charge-discharge application with high voltage hub and pulsed operation mode upon request.

Spezielles Design für häufige und tiefe Lade-, Entladeanwendungen mit hohem Spannungshub und Impulsbetrieb auf Anfrage erhältlich.

> Specifications · Spezifikationen

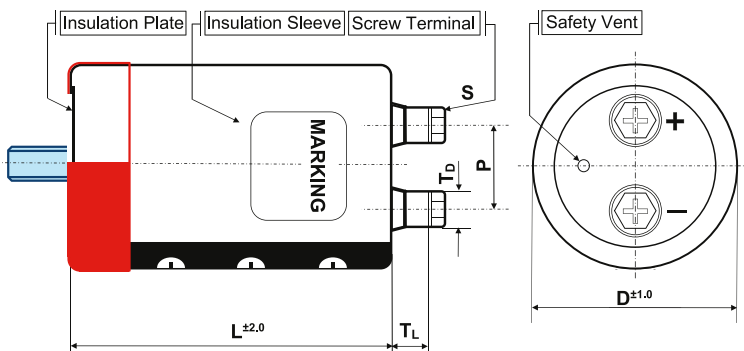
Items	Characteristics
Temperature range	-25°C ~ + 85°C
Capacitance tolerance (at 20°C)	Standard +/- 20%, -10/+30% on request
Surge voltage	Repetitive max. 30 sec per 6 Minutes
Leakage current max. I_L (20°C, 5 min)	0.01 • C • V _r [μA] or 3 mA, which is smaller.
Useful life	6000 hours at 85°C
Field failure rate	0.5 FIT = 0.5 • 10 ⁻⁹ Failures/hour
Reference standards	IEC 60384-4, JIS C 5101-4
Vibration	0.75mm, 10...55Hz, 10g, 3x2h
Outer materials	UL94-V0/UL224-VW1 certified (cap/sleeve)
Sleeve withstanding voltage	4000 Vac/ 1min between terminals bundled and plate*
Product Compliance	RoHS, REACH, Conflict Minerals a.o. – refer to p. 12–13

* Typical value



> Shape designation · Formbezeichnung

- additional information on p. 10–11 · Zusatzinformationen auf S. 10–11
- mounting accessories from p. 181 · Montagezubehör ab S. 181



Shape code Features	B Bolt	I/Y double sleeve for 2/3 points metal Bracket	N standard
outer insulation sleeve	•	•	•
insulation plate	•	•	•
stud bolt	•		
bottom double sleeve		•	

diameter code	ØD	available shape	P	S	T _L	T _D	Cap material
C	51	B, N, I, Y	22.0	M5x10	5.5	10	PH
D	64	B, N, I, Y	28.6	M5x10	5.5	10	PH
E	77	B, N, I, Y	31.5	M5x10	5.0	10	PH
				M6x12	4.5	17.2	PH
F	90	B, N, I, Y	31.5	M5x10	5.0	10	PH
				M6x12	5.0	17.2	PH
G	101	B, N, Y	31.5	M6x12	3.0	14	PH

Size in mm. First listed terminal is standard.

> Product Code · Bestellbezeichnung

Example: Series HCGF6 · 500 V · 12000 µF +/- 20 % · D=90 mm · L=236 mm with Y-Bracket

HCGF6	2H	123	Y	F	236	PH
Series name	Capacitance code		Shape code	Diameter code	Capacitance tolerance	Specific features (e.g. M6 ...)
Rated voltage code						
Code	Voltage	Code	Voltage			
2V	350	2W	450			
2G	400	2H	500			
					Case length code – length in mm (3 digits)	

Rated Voltage Code (Surge Voltage) V_r [V DC]	Capacitance C_r [µF]	Ripple Current at 85°C/120Hz I_r [A RMS]	Ripple Current at 40°C/120Hz [A RMS]	ESR (typ) at 20°C/100Hz [mΩ]	Zmax at 20°C/10kHz [mΩ]	ESL (typ) [nH]	Dissipation Factor at 20°C/120Hz Tan δ	DxL [mm]	Product Code # = variable value, see fixing code in the product code
350 VDC Code: 2V Surge Voltage 400 VDC	2 700	7.7	20.8	48	50	17	0.20	51x115	HCGF62V272#C115PH
	3 300	9.0	24.3	39	40	17	0.20	51x130	HCGF62V332#C130PH
	3 900	9.5	25.6	33	35	18	0.20	64x96	HCGF62V392#D096PH
	4 700	11.3	30.5	27	30	18	0.20	64x115	HCGF62V472#D115PH
	5 600	12.8	34.6	25	28	18	0.20	64x130	HCGF62V562#D130PH
	6 800	14.3	38.6	21	24	20	0.20	77x115	HCGF62V682#E115PH
	8 200	16.3	44.1	17	21	20	0.20	77x130	HCGF62V822#E130PH
	10 000	19.4	52.4	14	17	20	0.20	77x155	HCGF62V103#E155PH
	12 000	22.1	59.6	12	15	20	0.20	77x171	HCGF62V123#E171PH
		21.3	57.5	12	15	20	0.20	90x131	HCGF62V123#F131PH
	15 000	25.5	68.8	10	13	20	0.20	90x157	HCGF62V153#F157PH
	18 000	30.4	82.0	9	15	20	0.20	90x196	HCGF62V183#F196PH
	20 000	32.0	86.4	8	11	20	0.20	90x196	HCGF62V203#F196PH
	22 000	36.3	98.0	8	10	20	0.20	90x221	HCGF62V223#F221PH
32.9		88.8	8	11	29	0.20	101x175*	HCGF62V223#G175PH	
27 000	40.9	110.4**	7	8	29	0.20	101x237*	HCGF62V273#G237PH	
400 VDC Code: 2G Surge Voltage 450 VDC	2 200	6.6	17.8	58	60	17	0.20	51x100	HCGF62G222#C100PH
	2 700	7.9	21.4	48	50	18	0.20	64x96	HCGF62G272#D096PH
		7.9	24.4	48	50	17	0.20	51x115	HCGF62G272#C115PH
	3 300	8.7	23.6	39	40	18	0.20	64x96	HCGF62G332#D096PH
	3 900	10.2	27.5	33	35	18	0.20	64x115	HCGF62G392#D115PH
	4 700	11.7	31.7	27	30	18	0.20	64x130	HCGF62G472#D130PH
	5 600	13.0	35.1	25	28	20	0.20	77x115	HCGF62G562#E115PH
	6 800	15.0	40.4	21	24	20	0.20	77x130	HCGF62G682#E130PH
	8 200	17.3	16.6	18	20	20	0.20	77x145	HCGF62G822#E145PH
	10 000	20.4	55.1	17	20	20	0.20	77x171	HCGF62G103#E171PH
		19.4	52.5	14	17	20	0.20	90x131	HCGF62G103#F131PH
	12 000	22.9	61.8	12	15	20	0.20	90x157	HCGF62G123#F157PH
	15 000	27.9	75.3	10	13	20	0.20	90x196	HCGF62G153#F196PH
	18 000	32.2	86.9	9	12	20	0.20	90x221	HCGF62G183#F221PH
		29.7	80.1	9	12	29	0.20	101x175*	HCGF62G183#G175PH
	20 000	34.9	94.2	9	12	20	0.20	90x236	HCGF62G203#F236PH
22 000	36.9	99.6	8	11	29	0.20	101x237*	HCGF62G223#G237PH	
24 000	41.2	111.2**	8	10	20	0.20	90x283	HCGF62G243#F283PH	
25 000	41.3	111.5**	8	10	20	0.20	101x250*	HCGF62G253#G250PH	
27 000	44.1	119.0**	7	10	29	0.20	101x283*	HCGF62G273#G283PH	

Additional designs on request · Weitere Designs auf Anfrage

HCGF6 · Screw-Terminal · 6000 h/85 °C

Rated Voltage Code (Surge Voltage) V_r [V DC]	Capacitance C_r [μ F]	Ripple Current at 85°C/120Hz I_r [A RMS]	Ripple Current at 40°C/120Hz [A RMS]	ESR (typ) at 20°C/100Hz [m Ω]	Zmax at 20°C/10kHz [m Ω]	ESL (typ) [nH]	Dissipation Factor at 20°C/120Hz Tan δ	DxL [mm]	Product Code # = variable value, see fixing code in the product code
450 VDC Code: 2W Surge Voltage 500 VDC	1 800	6.3	17.0	77	80	17	0.20	51x115	HCGF62W182#C115PH
	2 200	7.4	19.9	63	65	17	0.20	51x130	HCGF62W222#C130PH
		7.2	19.5	63	65	18	0.20	64x96	HCGF62W222#D096PH
	2 700	7.9	21.3	52	54	18	0.20	64x96	HCGF62W272#D096PH
	3 300	9.4	25.4	42	44	18	0.20	64x115	HCGF62W332#D115PH
		9.3	25.2	42	44	20	0.20	77x96	HCGF62W332#E096PH
	3 900	10.7	28.9	38	40	18	0.20	64x130	HCGF62W392#D130PH
	4 700	11.2	30.2	34	36	20	0.20	77x96	HCGF62W472#E096PH
		11.8	32.0	34	36	20	0.20	77x115	HCGF62W472#E115PH
	5 600	13.1	35.4	32	34	20	0.20	90x96	HCGF62W562#F096PH
		13.6	36.6	31	33	20	0.20	77x130	HCGF62W562#E130PH
	6 800	16.1	43.5	25	27	20	0.20	77x155	HCGF62W682#E155PH
	8 200	19.4	52.5	21	23	20	0.20	77x195	HCGF62W822#E195PH
		17.6	47.5	21	23	20	0.20	90x131	HCGF62W822#F131PH
	10 000	23.2	62.6	17	19	20	0.20	77x220	HCGF62W103#E220PH
		21.5	58.0	17	19	20	0.20	90x171	HCGF62W103#F171PH
	12 000	25.0	67.4	16	18	20	0.20	90x196	HCGF62W123#F196PH
		24.3	65.5	16	18	29	0.20	101x175*	HCGF62W123#G175PH
	14 000	27.9	75.3	17	20	20	0.20	90x196	HCGF62W143#F196PH
	15 000	28.5	77.0	15	17	20	0.20	90x196	HCGF62W153#F196PH
		30.1	81.4	15	17	20	0.20	90x236	HCGF62W153#F236PH
	16 000	30.3	81.8	16	18	20	0.20	90x221	HCGF62W163#F221PH
18 000	33.4	90.2	14	16	29	0.20	90x236	HCGF62W183#F236PH	
20 000	34.4	92.9	13	15	29	0.20	101x222*	HCGF62W203#G222PH	
22 000	38.8	104.8**	12	14	29	0.20	101x250*	HCGF62W223#G250PH	
500 VDC Code: 2H Surge Voltage 550 VDC	1 200	5.2	14.0	112	120	17	0.20	51x115	HCGF62H122#C115PH
		5.3	14.3	112	120	18	0.20	64x96	HCGF62H122#D096PH
	1 500	6.0	16.2	90	96	17	0.20	51x119	HCGF62H152#C119PH
		5.9	15.8	90	96	18	0.20	64x96	HCGF62H152#D096PH
	1 800	6.9	18.6	75	80	18	0.20	64x115	HCGF62H182#D115PH
	2 200	7.1	19.2	61	65	18	0.20	64x96	HCGF62H222#D096PH
	2 700	9.1	24.6	50	53	20	0.20	77x115	HCGF62H272#E115PH
	3 300	10.5	28.4	45	48	20	0.20	77x130	HCGF62H332#E130PH
	3 900	12.2	32.9	38	41	20	0.20	77x155	HCGF62H392#E155PH
	4 700	13.9	37.6	34	37	20	0.20	77x171	HCGF62H472#E171PH
		13.3	36.0	34	37	20	0.20	90x131	HCGF62H472#F131PH
	5 600	16.0	43.1	28	31	20	0.20	77x195	HCGF62H562#E195PH
		15.5	41.9	28	31	20	0.20	90x157	HCGF62H562#F157PH
	6 800	17.7	47.8	23	25	20	0.20	90x171	HCGF62H682#F171PH
	8 200	20.6	55.6	21	23	20	0.20	90x196	HCGF62H822#F196PH
		20.0	54.0	21	23	29	0.20	101x175*	HCGF62H822#G175PH
	10 000	24.0	64.8	17	19	20	0.20	90x221	HCGF62H103#F221PH
		23.0	62.1	17	19	29	0.20	101x195*	HCGF62H103#G195PH
	12 000	27.0	72.9	16	18	20	0.20	90x236	HCGF62H123#F236PH
	15 000	30.5	82.4	14	16	29	0.20	101x237*	HCGF62H153#G237PH

* For Bolt mounting, length dimensions increase by +3 mm

** Please contact us if load condition exceeds terminals related I_{rmax} referred on page 11

Additional designs on request · Weitere Designs auf Anfrage

> Ripple Current Multiplier · Wechselstrommultiplikator

Frequency [Hz]	50/60		120		300		1k		≥ 10k	
Multiplier	0.80		1.00		1.18		1.34		1.45	

Temperature (°C)	40	45	50	55	60	65	70	75	80	85
Multiplier	2.7	2.6	2.4	2.2	2.0	1.8	1.6	1.4	1.2	1.0

Forced cooling – Wind speed [m/sec]	v < 0.25	v ≥ 0.25	v ≥ 0.5	v ≥ 1.0	v ≥ 2.0	v ≥ 3.0
Multiplier	1.00	1.05	1.10	1.15	1.20	1.25

> Life Time Table · Brauchbarkeitsdauer – Tabelle

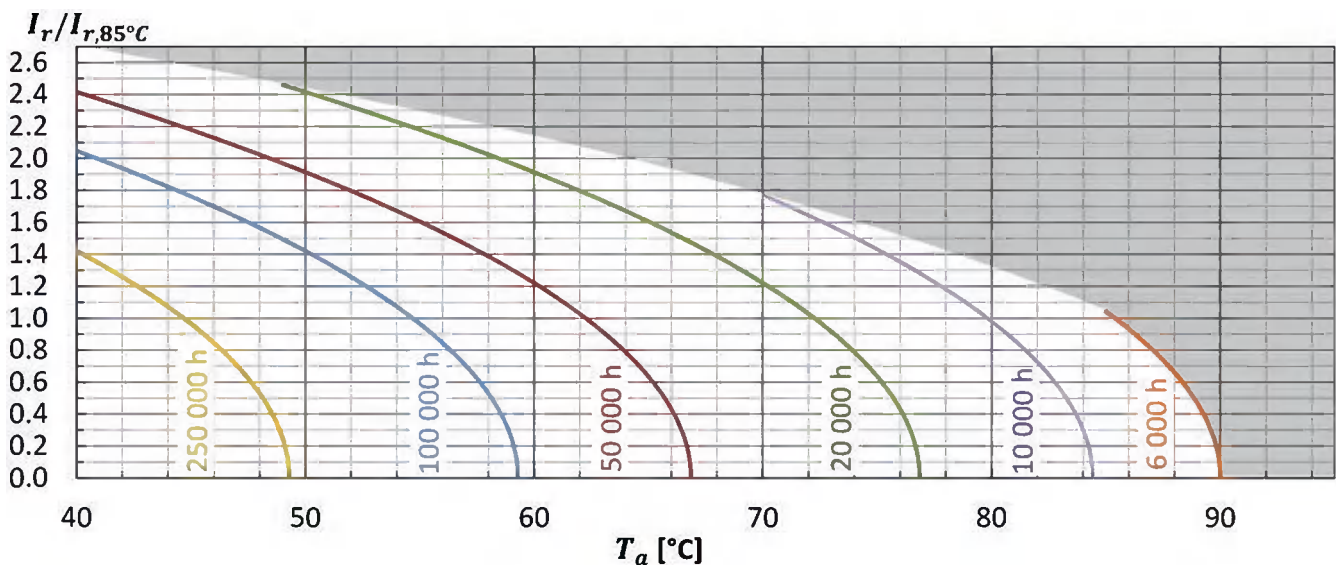
HCGF6	Useful life as function of ambient temperature and ripple current												
I_r at 85°C	x 1.0	x 1.2	x 1.4	x 1.6	x 1.8	x 2.0	x 2.1	x 2.2	x 2.3	x 2.4	x 2.5	x 2.6	x 2.7
$T_a = 40°C$	250	250	250	199	149	108	91	76	63	51	42	33	27
$T_a = 45°C$	243	201	162	125	94	68	57	48	39	32	26	21	
$T_a = 50°C$	153	127	102	79	59	43	36	30	25	20			
$T_a = 55°C$	97	80	64	50	37	27	23	19					
$T_a = 60°C$	61	51	41	31	23	17							
$T_a = 65°C$	38	32	25	20	15								
$T_a = 70°C$	24	20	16	12									
$T_a = 75°C$	15	12	10										
$T_a = 80°C$	9	8											
$T_a = 85°C$	6												

khrs Max. value limited to 250 000 hours.

> Life Time Graph · Brauchbarkeitsdauer – Diagramm

Useful life depending on ambient temperature T_a and ripple current operating conditions I_r versus rated ripple current at the upper category temperature $I_{r,85°C,120Hz}$

Brauchbarkeitsdauer in Abhängigkeit von Umgebungstemperatur T_a und Wechselstrombelastung I_r im Verhältnis zur max. Wechselstrombelastung bei oberer Kategorie-temperatur $I_{r,85°C,120Hz}$



> Life Time Tests and Requirements · Anforderungen Brauchbarkeitsdauer

Life time test	Test procedure	Life time criteria
Endurance test	$T_a = 85^\circ\text{C}$; V_r , I_r applied 4000 hours	$\Delta C/C \leq 10\%$ (of initial value) $\text{Tan}\delta \leq 175\%$ (of specified value) $I_L \leq$ specified value
Useful life	$T_a = 85^\circ\text{C}$; V_r , I_r applied 6000 hours	$\Delta C/C \leq 15\%$ (of initial value) $\text{Tan}\delta < 200\%$ (of specified value) $I_L \leq$ specified value

Reference Specification: JIS C 5101-4, JIS C 5102, IEC 60384-4

VFR · Screw-Terminal · 6000 h/85 °C

High Ripple Current · Bottom cooling design · Low ESR

Optional design for permanent and deep charge-discharge application with high voltage hub and pulsed operation mode upon request.

Spezielles Design für häufige und tiefe Lade-, Entladeanwendungen mit hohem Spannungshub und Impulsbetrieb auf Anfrage erhältlich.

> Specifications · Spezifikationen

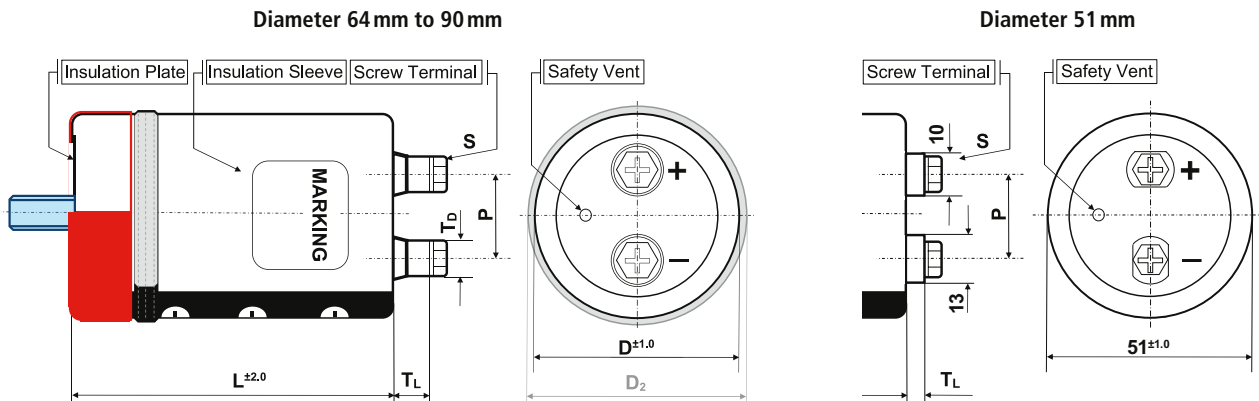
Items	Characteristics
Temperature range	-40°C ~ + 85°C
Capacitance tolerance (at 20°C)	Standard +/- 20%, -10/+30% on request
Surge voltage / Ripple voltage	Repetitive max. 30 sec per 6 Minutes / ≤ 70V
Leakage current max. I _L (20°C, 5 min)	0.01 • C • V, [μA] or 5 mA, which is smaller.
Useful life	6000 hours at 85°C
Field failure rate	0.5 FIT = 0.5 • 10 ⁻⁹ Failures/hour
Reference standards	IEC 60384-4, JIS C 5101-4
Vibration	0.75mm, 10...55Hz, 10g, 3x2h
Outer materials	UL94-V0/UL224-VW1 certified (cap/sleeve)
Sleeve withstanding voltage	4000 Vac/1min between terminals bundled and plate*
Product Compliance	RoHS, REACH, Conflict Minerals a.o. – refer to p. 12–13

* Typical value



> Shape designation · Formbezeichnung

- additional information on p. 10–11 · Zusatzinformationen auf S. 10–11
- mounting accessories from p. 181 · Montagezubehör ab S. 181



Shape code Features	B Bolt	I/Y double sleeve for 2/3 points metal Bracket	N + suffix WC blank bottom + seating ring	N standard
outer insulation sleeve	•	•	•	•
insulation plate	•	•		•
stud bolt	•			
bottom double sleeve		•		
integrated seating ring			•	

diameter code	ØD	available shape	P	S	T _L	T _D	Cap material
C	51	B, N, I, Y	22.0	M5x10	4.5	13/10	PH
D	64	B, N, I, Y	28.6	M5x10	8.0	11	PH
E	77	B, N, I, Y, WC	31.5	M6x12	9.0	12	PH
F	90	B, N, I, Y, WC	31.5	M6x12	8.0	12	PH

Size in mm

> Product Code · Bestellbezeichnung

Example: Series VFR · 12000 µF +/- 20 % · 400 V · D=90 mm · L= 167 mm with Y-Bracket

VFR	2G	123	Y	F	167
Series name	Capacitance code	Shape code	Diameter code	Capacitance tolerance	Specific features
Rated voltage code					
Code	Voltage	Code	Voltage	Case length code – length in mm (3 digits)	
2V	350	2W	450	Ø : ± 20 % Q : -10 % ~ +30 %	
2G	400	2H	500		

Rated Voltage Code (Surge Voltage) V _r [V DC]	Capacitance C _r [µF]	Ripple Current at 85°C/120Hz I _r [A RMS]	Ripple Current at 40°C/120Hz [A RMS]	ESR (typ) at 20°C/100Hz [mΩ]	Z _{max} at 20°C/10kHz [mΩ]	ESL (typ) [nH]	Dissipation Factor at 20°C/120Hz Tan δ	DxL [mm]	Product Code # = variable value, see fixing code in the product code
350 VDC Code: 2V Surge Voltage 400 VDC	2 200	10.2	21.5	24	26	17	0.20	51x96	VFR2V222#C096
	2 700	11.4	24.0	20	22	17	0.20	51x109	VFR2V272#C109
	3 300	12.7	26.7	16	18	17	0.20	51x125	VFR2V332#C125
	3 900	17.0	35.7	14	16	18	0.20	64x107	VFR2V392#D107
	4 700	20.6	40.3	11	13	18	0.20	64x123	VFR2V472#D123
			43.3	10	11	18	0.20	64x147	VFR2V562#D147
	5 600	23.5	49.4	10	11	20	0.20	77x108	VFR2V562#E108
			23.3	48.9	8	10	18	0.20	64x164
	6 800	26.5	55.7	8	10	20	0.20	77x124	VFR2V682#E124
			25.8	54.2	7	8	18	0.20	64x187
	8 200	28.5	59.9	7	8	20	0.20	77x148	VFR2V822#E148
			32.6	68.5	7	8	20	0.20	90x110
	10 000	32.1	67.4	5	7	20	0.20	77x165	VFR2V103#E165
			35.9	75.4	5	7	20	0.20	90x126
	12 000	35.3	74.1	5	5	20	0.20	77x188	VFR2V123#E188
			39.1	82.1	5	5	20	0.20	90x150
15 000	40.8	85.7	4	5	20	0.20	77x228	VFR2V153#E228	
		43.3	90.9	4	5	20	0.20	90x167	VFR2V153#F167
18 000	47.1	98.9	3	4	20	0.20	90x190	VFR2V183#F190	
22 000	51.2	107.5*	3	4	20	0.20	90x230	VFR2V223#F230	
27 000	56.0	117.6*	2	3	20	0.20	90x268	VFR2V273#F268	
400 VDC Code: 2G Surge Voltage 450 VDC	1 800	9.5	20.0	30	32	17	0.20	51x96	VFR2G182#C096
	2 200	10.6	22.3	25	27	17	0.20	51x109	VFR2G222#C109
	2 700	11.9	25.0	20	22	17	0.20	51x125	VFR2G272#C125
	3 300	15.7	33.0	16	18	18	0.20	64x107	VFR2G332#D107
	3 900	17.1	35.9	14	16	18	0.20	64x95	VFR2G392#D095
			36.8	14	16	18	0.20	64x123	VFR2G392#D123
	4 700	18.9	39.7	11	13	18	0.20	64x147	VFR2G472#D147
			21.5	45.2	11	13	20	0.20	77x108
	5 600	21.2	44.5	10	11	18	0.20	64x164	VFR2G562#D164
			24.0	50.4	10	11	20	0.20	77x124

Additional designs on request · Weitere Designs auf Anfrage

VFR · Screw-Terminal · 6000 h/85 °C

Rated VoltageCode (Surge Voltage) V_r [V DC]	Capacitance C_r [μ F]	Ripple Current at 85°C/120Hz I_r [A RMS]	Ripple Current at 40°C/120Hz [A RMS]	ESR (typ) at 20°C/100Hz [m Ω]	Zmax at 20°C/10kHz [m Ω]	ESL (typ) [nH]	Dissipation Factor at 20°C/120Hz Tan δ	DxL [mm]	Product Code # = variable value, see fixing code in the product code
400 VDC Code: 2G Surge Voltage 450 VDC	6 800	23.5	49.4	8	10	18	0.20	64x187	VFR2G682#D187
		26.4	55.4	8	10	20	0.20	77x124	VFR2G682#E124
		29.7	62.4	8	10	20	0.20	90x110	VFR2G682#F110
	8 200	28.4	59.6	7	8	20	0.20	77x148	VFR2G822#E148
		29.1	61.1	7	8	20	0.20	77x165	VFR2G822#E165
		32.5	68.3	7	8	20	0.20	90x126	VFR2G822#F126
	10 000	32.2	67.6	5	7	20	0.20	77x188	VFR2G103#E188
		35.7	75.0	5	7	20	0.20	90x150	VFR2G103#F150
	12 000	36.5	76.7	5	5	20	0.20	77x228	VFR2G123#E228
		38.7	81.3	5	5	20	0.20	90x167	VFR2G123#F167
	15 000	43.0	90.3	4	5	20	0.20	90x190	VFR2G153#F190
	18 000	46.3	97.2	3	4	20	0.20	90x230	VFR2G183#F230
	22 000	50.5	106.1*	3	4	20	0.20	90x268	VFR2G223#F268
450 VDC Code: 2W Surge Voltage 500 VDC	1 500	9.0	18.9	35	38	17	0.20	51x96	VFR2W152#C096
	1 800	10.1	21.3	30	32	17	0.20	51x109	VFR2W182#C109
	2 200	11.3	23.8	24	26	17	0.20	51x125	VFR2W222#C125
	2 700	14.5	30.5	20	22	18	0.20	64x107	VFR2W272#D107
	3 300	16.5	34.7	16	18	18	0.20	64x123	VFR2W332#D123
		17.6	37.0	14	16	18	0.20	64x147	VFR2W392#D147
	3 900	20.1	42.2	14	16	20	0.20	77x108	VFR2W392#E108
		19.9	41.8	11	13	18	0.20	64x164	VFR2W472#D164
	4 700	22.6	47.5	11	13	20	0.20	77x124	VFR2W472#E124
		21.9	46.0	10	11	18	0.20	64x187	VFR2W562#D187
	5 600	24.1	50.6	10	11	20	0.20	77x148	VFR2W562#E148
		27.6	58.0	10	11	20	0.20	90x110	VFR2W562#F110
	6 800	27.1	56.9	8	10	20	0.20	77x165	VFR2W682#E165
		30.3	63.6	8	10	20	0.20	90x126	VFR2W682#F126
	8 200	29.9	62.8	7	8	20	0.20	77x188	VFR2W822#E188
		33.1	69.5	7	8	20	0.20	90x150	VFR2W822#F150
	10 000	34.1	71.6	5	7	20	0.20	77x228	VFR2W103#E228
		36.2	76.0	5	7	20	0.20	90x167	VFR2W103#F167
	12 000	39.4	82.7	5	5	20	0.20	90x190	VFR2W123#F190
	14 000	42.5	89.3	4	5	20	0.20	90x190	VFR2W143#F190
15 000	43.3	90.9	4	5	20	0.20	90x230	VFR2W153#F230	
17 000	44.5	93.4	4	5	20	0.20	90x230	VFR2W173#F230	
18 000	46.9	98.5	3	4	20	0.20	90x268	VFR2W183#F268	
500 VDC Code: 2H Surge Voltage 550 VDC	820	6.1	12.9	71	74	17	0.20	51x96	VFR2H821#C096
	1 000	7.0	14.7	58	61	17	0.20	51x109	VFR2H102#C109
	1 200	7.9	16.6	48	51	17	0.20	51x125	VFR2H122#C125
	1 800	11.3	23.7	32	35	18	0.20	64x107	VFR2H182#D107
	2 200	12.8	26.9	26	28	18	0.20	64x123	VFR2H222#D123
	2 700	13.9	29.2	22	24	18	0.20	64x147	VFR2H272#D147
		15.9	33.4	22	24	20	0.20	77x108	VFR2H272#E108

Additional designs on request · Weitere Designs auf Anfrage

Rated VoltageCode (Surge Voltage) V_r [V DC]	Capacitance C_r [μ F]	Ripple Current at 85°C/120Hz I_r [A RMS]	Ripple Current at 40°C/120Hz [A RMS]	ESR (typ) at 20°C/100Hz [m Ω]	Zmax at 20°C/10kHz [m Ω]	ESL (typ) [nH]	Dissipation Factor at 20°C/120Hz Tan δ	DxL [mm]	Product Code # = variable value, see fixing code in the product code
500 VDC Code: 2H Surge Voltage 550 VDC	3 300	15.8	33.2	18	20	18	0.20	64x164	VFR2H332#D164
		18.0	37.8	18	20	20	0.20	77x124	VFR2H332#E124
	3 900	17.3	36.3	15	17	18	0.20	64x187	VFR2H392#D187
		19.1	40.1	15	17	20	0.20	77x148	VFR2H392#E148
		21.9	46.0	15	17	20	0.20	90x110	VFR2H392#F110
	4 700	21.4	44.9	13	15	20	0.20	77x165	VFR2H472#E165
		24.0	50.4	13	15	20	0.20	90x126	VFR2H472#F126
	5 600	23.5	49.4	11	13	20	0.20	77x188	VFR2H562#E188
		26.0	54.6	11	13	20	0.20	90x150	VFR2H562#F150
	6 800	26.7	56.1	9	10	20	0.20	77x228	VFR2H682#E228
		28.4	59.6	9	10	20	0.20	90x167	VFR2H682#F167
	8 200	31.0	65.1	8	8	20	0.20	90x190	VFR2H822#F190
		34.2	71.8	6	7	20	0.20	90x190	VFR2H103#F190
	10 000	33.6	70.6	6	7	20	0.20	90x230	VFR2H103#F230
		36.3	76.2	5	6	20	0.20	90x268	VFR2H123#F268

* Please contact us if load condition exceeds terminals related $I_{r,max}$ referred on page 11

Additional designs on request · Weitere Designs auf Anfrage

> Ripple Current Multiplier · Wechselstrommultiplikator

Frequency [Hz]	50/60	120	300	1k	$\geq 10k$
Multiplier	0.80	1.00	1.18	1.34	1.45

Ta (°C)	40	45	50	55	60	65	70	75	80	85
Multiplier	2.1	2.1	2.0	1.9	1.8	1.6	1.5	1.3	1.1	1.0

Forced cooling – Wind speed [m/sec]	v < 0.25	v ≥ 0.25	v ≥ 0.5	v ≥ 1.0	v ≥ 2.0	v ≥ 3.0
Multiplier	1.00	1.07	1.15	1.25	1.30	1.35

> Life Time Table · Brauchbarkeitsdauer – Tabelle

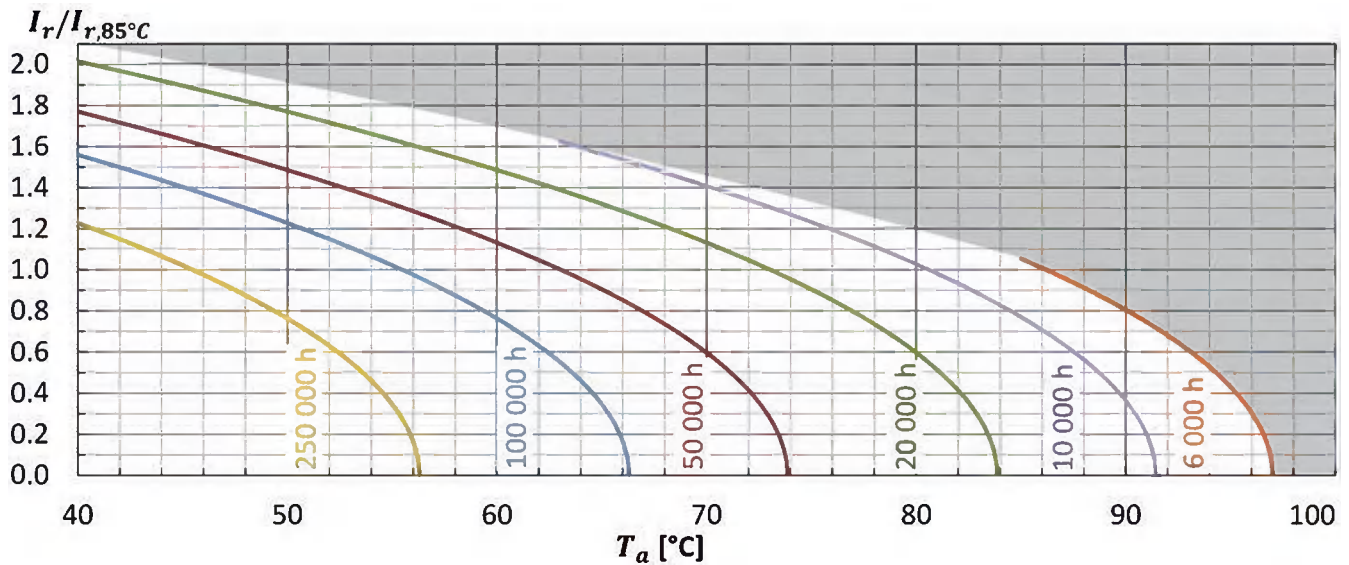
VFR	Useful life as function of ambient temperature and ripple current												
	I_r at 85°C	x 1.0	x 1.1	x 1.2	x 1.3	x 1.4	x 1.5	x 1.6	x 1.7	x 1.8	x 1.9	x 2.0	x 2.1
T _a = 40°C	250	250	250	208	159	120	88	63	45	31	21	14	
T _a = 45°C	250	212	169	132	101	75	55	40	28	19	13	8	
T _a = 50°C	165	134	107	83	63	48	35	25	18	12	8		
T _a = 55°C	104	85	67	52	40	30	22	16	11	7			
T _a = 60°C	66	53	42	33	25	19	14	10	7				
T _a = 65°C	41	34	27	21	16	12	8						
T _a = 70°C	26	21	17	13	10	7							
T _a = 75°C	16	13	10	8									
T _a = 80°C	10	8											
T _a = 85°C	6												

khrs Max. value limited to 250 000 hours.

> Life Time Graph · Brauchbarkeitsdauer – Diagramm

Useful life depending on ambient temperature T_a and ripple current operating conditions I_r versus rated ripple current at the upper category temperature $I_{r, 85^\circ\text{C}, 120\text{Hz}}$

Brauchbarkeitsdauer in Abhängigkeit von Umgebungstemperatur T_a und Wechselstrombelastung I_r im Verhältnis zur max. Wechselstrombelastung bei oberer Kategorie-temperatur $I_{r, 85^\circ\text{C}, 120\text{Hz}}$



> Life Time Tests and Requirements · Anforderungen Brauchbarkeitsdauer

Life time test	Test procedure	Life time criteria
Endurance test	$T_a = 85^\circ\text{C}$; V_r, I_r applied 4000 hours	$\Delta C/C \leq 10\%$ (of initial value) $\text{Tan}\delta \leq 175\%$ (of specified value) $I_L \leq$ specified value
Useful life	$T_a = 85^\circ\text{C}$; V_r, I_r applied 6000 hours	$\Delta C/C \leq 15\%$ (of initial value) $\text{Tan}\delta < 200\%$ (of specified value) $I_L \leq$ specified value

Reference Specification: JIS C 5101-4, JIS C 5102, IEC 60384-4

VFLR · Screw-Terminal · 12000 h/85 °C

Long Life · High Ripple Current · Bottom cooling design · Low ESR

> Specifications · Spezifikationen

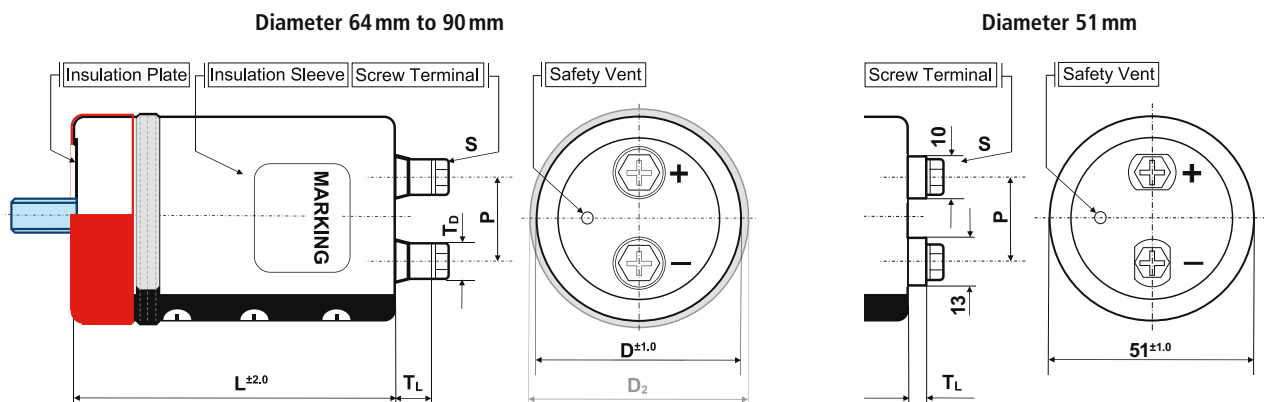
Items	Characteristics
Temperature range	-40°C ~ + 85°C
Capacitance tolerance (at 20°C)	Standard +/- 20%, -10/+30% on request
Surge voltage / Ripple voltage	Repetitive max. 30 sec per 6 Minutes / ≤ 70V
Leakage current max. I_L (20°C, 5 min)	$0.01 \cdot C \cdot V_r$ [μ A] or 5 mA, which is smaller.
Useful life	12 000 hours at 85°C
Field failure rate	0.5 FIT = $0.5 \cdot 10^{-9}$ Failures/hour
Reference standards	IEC 60384-4, JIS C 5101-4
Vibration	0.75mm, 10...55Hz, 10g, 3x2h
Outer materials	UL94-V0/UL224-VW1 certified (cap/sleeve)
Sleeve withstanding voltage	4000 Vac/ 1min between terminals bundled and plate*
Product Compliance	RoHS, REACH, Conflict Minerals a.o. – refer to p. 12–13

* Typical value



> Shape designation · Formbezeichnung

- additional information on p. 10–11 · Zusatzinformationen auf S. 10–11
- mounting accessories from p. 181 · Montagezubehör ab S. 181



Shape code Features	B Bolt	I/Y double sleeve for 2/3 points metal Bracket	N + suffix WC blank bottom + seating ring	N standard
outer insulation sleeve	•	•	•	•
insulation plate	•	•		•
stud bolt	•			
bottom double sleeve		•		
integrated seating ring			•	

diameter code	ØD	available shape	P	S	T _L	T _D	Cap material
C	51	B, N, I, Y	22.0	M5x10	4.5	13/10	PH
D	64	B, N, I, Y	28.6	M5x10	8.0	11	PH
E	77	B, N, I, Y, WC	31.5	M6x12	9.0	12	PH
F	90	B, N, I, Y, WC	31.5	M6x12	8.0	12	PH

Size in mm

> Product Code · Bestellbezeichnung

Example: Series VFLR · 12000 µF +/- 20 % · 400 V · D=90 mm · L= 167 mm with Y-Bracket

VFLR	2G	123	Y	F	167
Series name	Capacitance code	Shape code	Diameter code	Capacitance tolerance	Specific features
Rated voltage code					
Code	Voltage	Code	Voltage		
2V	350	2W	450		
2G	400	2H	500		

∅ : ± 20 %
Q : -10 % ~ +30 %

Case length code – length in mm (3 digits)

Rated Voltage Code (Surge Voltage) V _r [V DC]	Capacitance C _r [µF]	Ripple Current at 85°C/120Hz I _r [A RMS]	Ripple Current at 40°C/120Hz [A RMS]	ESR (typ) at 20°C/100Hz [mΩ]	Z _{max} at 20°C/10kHz [mΩ]	ESL (typ) [nH]	Dissipation Factor at 20°C/120Hz Tan δ	DxL [mm]	Product Code # = variable value, see fixing code in the product code
350 VDC Code: 2V Surge Voltage 400 VDC	2 200	10.2	21.5	24	26	17	0.20	51x96	VFLR2V222#C096
	2 700	11.4	24.0	20	21	17	0.20	51x109	VFLR2V272#C109
	3 300	12.7	26.7	16	17	17	0.20	51x125	VFLR2V332#C125
	3 900	17.0	35.7	14	16	18	0.20	64x107	VFLR2V392#D107
	4 700	19.2	40.3	11	13	18	0.20	64x123	VFLR2V472#D123
		20.6	43.3	10	11	18	0.20	64x147	VFLR2V562#D147
	5 600	23.5	49.4	10	11	20	0.20	77x108	VFLR2V562#E108
		23.3	48.9	8	10	18	0.20	64x164	VFLR2V682#D164
	6 800	26.5	55.7	8	10	20	0.20	77x124	VFLR2V682#E124
		25.8	54.2	7	8	18	0.20	64x187	VFLR2V822#D187
	8 200	28.5	59.9	7	8	20	0.20	77x148	VFLR2V822#E148
		32.6	68.5	7	8	20	0.20	90x110	VFLR2V822#F110
	10 000	32.1	67.4	5	7	20	0.20	77x165	VFLR2V103#E165
		35.9	75.4	5	7	20	0.20	90x126	VFLR2V103#F126
	12 000	35.3	74.1	5	5	20	0.20	77x188	VFLR2V123#E188
		39.1	82.1	5	5	20	0.20	90x150	VFLR2V123#F150
	15 000	40.8	85.7	4	5	20	0.20	77x228	VFLR2V153#E228
		43.3	90.9	4	5	20	0.20	90x167	VFLR2V153#F167
	18 000	47.1	98.9	3	4	20	0.20	90x190	VFLR2V183#F190
	22 000	52.0	109.2*	3	4	20	0.20	90x190	VFLR2V223#F190
51.2		107.5*	3	4	20	0.20	90x230	VFLR2V223#F230	
27 000	56.0	117.6*	2	3	20	0.20	90x268	VFLR2V273#F268	
400 VDC Code: 2G Surge Voltage 450 VDC	1 800	9.5	20.0	30	31	17	0.20	51x96	VFLR2G182#C096
	2 200	10.6	22.3	25	26	17	0.20	51x109	VFLR2G222#C109
	2 700	11.9	25.0	20	21	17	0.20	51x125	VFLR2G272#C125
	3 300	15.7	33.0	16	19	18	0.20	64x107	VFLR2G332#D107
	3 900	17.5	36.8	14	16	18	0.20	64x123	VFLR2G392#D123
	4 700	18.9	39.7	11	13	18	0.20	64x147	VFLR2G472#D147
		21.5	45.2	11	13	20	0.20	77x108	VFLR2G472#E108
	5 600	21.2	44.5	10	11	18	0.20	64x164	VFLR2G562#D164
		24.0	50.4	10	11	20	0.20	77x124	VFLR2G562#E124
	21.1	44.3	10	11	20	0.20	77x95	VFLR2G562#E095	

Additional designs on request · Weitere Designs auf Anfrage

Rated VoltageCode (Surge Voltage) V_r [V DC]	Capacitance C_r [μ F]	Ripple Current at 85°C/120Hz I_r [A RMS]	Ripple Current at 40°C/120Hz [A RMS]	ESR (typ) at 20°C/100Hz [m Ω]	Zmax at 20°C/10kHz [m Ω]	ESL (typ) [nH]	Dissipation Factor at 20°C/120Hz Tan δ	DxL [mm]	Product Code # = variable value, see fixing code in the product code
400 VDC Code: 2G Surge Voltage 450 VDC	6 800	23.5	49.4	8	10	18	0.20	64x187	VFLR2G682#D187
		26.0	54.6	8	10	20	0.20	77x148	VFLR2G682#E148
		29.7	62.4	8	10	20	0.20	90x110	VFLR2G682#F110
	8 200	28.4	59.6	7	8	20	0.20	77x148	VFLR2G822#E148
		29.1	61.1	7	8	20	0.20	77x165	VFLR2G822#E165
		32.5	68.3	7	8	20	0.20	90x126	VFLR2G822#F126
	10 000	32.2	67.6	5	7	20	0.20	77x188	VFLR2G103#E188
		35.7	75.0	5	7	20	0.20	90x150	VFLR2G103#F150
	12 000	36.5	76.7	5	5	20	0.20	77x228	VFLR2G123#E228
		38.7	81.3	5	5	20	0.20	90x167	VFLR2G123#F167
	15 000	43.0	90.3	4	5	20	0.20	90x190	VFLR2G153#F190
	18 000	46.3	97.2	3	4	20	0.20	90x230	VFLR2G183#F230
22 000	50.5	106.1*	3	3	20	0.20	90x268	VFLR2G223#F268	
450 VDC Code: 2W Surge Voltage 500 VDC	1 500	9.0	18.9	35	37	17	0.20	51x96	VFLR2W152#C096
	1 800	10.1	21.3	30	32	17	0.20	51x109	VFLR2W182#C109
	2 200	11.3	23.8	24	26	17	0.20	51x125	VFLR2W222#C125
	2 700	14.5	30.5	20	23	18	0.20	64x107	VFLR2W272#D107
	3 300	16.5	34.7	16	19	18	0.20	64x123	VFLR2W332#D123
		17.6	37.0	14	16	18	0.20	64x147	VFLR2W392#D147
	3 900	20.1	42.2	14	16	20	0.20	77x108	VFLR2W392#E108
		19.9	41.8	11	13	18	0.20	64x164	VFLR2W472#D164
	4 700	22.6	47.5	11	13	20	0.20	77x124	VFLR2W472#E124
		21.9	46.0	10	11	18	0.20	64x187	VFLR2W562#D187
	5 600	24.1	50.6	10	11	20	0.20	77x148	VFLR2W562#E148
		27.6	58.0	10	11	20	0.20	90x110	VFLR2W562#F110
	6 800	22.9	48.1	8	10	20	0.20	64x187	VFLR2W682#D187
		26.5	55.7	8	10	20	0.20	77x148	VFLR2W682#E148
		27.1	56.9	8	10	20	0.20	77x165	VFLR2W682#E165
		30.3	63.6	8	10	20	0.20	90x126	VFLR2W682#F126
	8 200	29.9	62.8	7	8	20	0.20	77x188	VFLR2W822#E188
		33.1	69.5	7	8	20	0.20	90x150	VFLR2W822#F150
	10 000	34.1	71.6	5	7	20	0.20	77x228	VFLR2W103#E228
		36.5	76.7	5	7	20	0.20	90x150	VFLR2W103#F150
12 000	39.4	82.7	5	5	20	0.20	90x190	VFLR2W123#F190	
13 000	41.0	86.1	5	5	20	0.20	90x190	VFLR2W133#F190	
15 000	43.3	90.9	4	5	20	0.20	90x230	VFLR2W153#F230	
18 000	46.9	98.5	3	4	20	0.20	90x268	VFLR2W183#F268	
500 VDC Code: 2H Surge Voltage 550 VDC	820	6.1	12.9	71	74	17	0.20	51x96	VFLR2H821#C096
	1 000	7.0	14.7	58	61	17	0.20	51x109	VFLR2H102#C109
	1 200	7.9	16.6	48	51	17	0.20	51x125	VFLR2H122#C125
	1 800	11.3	23.7	32	35	18	0.20	64x107	VFLR2H182#D107
	2 200	12.8	26.9	26	28	18	0.20	64x123	VFLR2H222#D123
	2 700	13.9	29.2	22	24	18	0.20	64x147	VFLR2H272#D147
		15.9	33.4	22	24	20	0.20	77x108	VFLR2H272#E108
	3 000	14.6	30.7	20	22	20	0.20	64x147	VFLR2H272#D147

Additional designs on request · Weitere Designs auf Anfrage

VFLR · Screw-Terminal · 12000 h/85 °C

Rated Voltage Code (Surge Voltage) V_r [V DC]	Capacitance C_r [μF]	Ripple Current at 85°C/120Hz I_r [A RMS]	Ripple Current at 40°C/120Hz [A RMS]	ESR (typ) at 20°C/100Hz [mΩ]	Zmax at 20°C/10kHz [mΩ]	ESL (typ) [nH]	Dissipation Factor at 20°C/120Hz Tan δ	DxL [mm]	Product Code # = variable value, see fixing code in the product code
500 VDC Code: 2H Surge Voltage 550 VDC	3 300	15.8	33.2	18	20	18	0.20	64x164	VFLR2H332#D164
		18.0	37.8	18	20	20	0.20	77x124	VFLR2H332#E124
	3 900	17.3	36.3	15	17	18	0.20	64x187	VFLR2H392#D187
		19.1	40.1	15	17	20	0.20	77x148	VFLR2H392#E148
		21.9	46.0	15	17	20	0.20	90x110	VFLR2H392#F110
	4 700	20.9	43.9	13	15	20	0.20	77x148	VFLR2H472#E148
		21.4	44.9	13	15	20	0.20	77x165	VFLR2H472#E165
		24.0	50.4	13	15	20	0.20	90x126	VFLR2H472#F126
	5 600	22.8	47.9	11	13	20	0.20	77x148	VFLR2H562#E148
		23.5	49.4	11	13	20	0.20	77x188	VFLR2H562#E188
		26.0	54.6	11	13	20	0.20	90x150	VFLR2H562#F150
	6 800	26.7	56.1	9	10	20	0.20	77x228	VFLR2H682#E228
		28.4	59.6	9	10	20	0.20	90x167	VFLR2H682#F167
	8 200	31.0	65.1	8	8	20	0.20	90x190	VFLR2H822#F190
	10 000	34.2	71.8	6	7	20	0.20	90x190	VFLR2H103#F190
		33.6	70.6	6	7	20	0.20	90x230	VFLR2H103#F230
	12 000	36.3	76.2	5	6	20	0.20	90x268	VFLR2H123#F268

* Please contact us if load condition exceeds terminals related I_{rmax} referred on page 11

Additional designs on request · Weitere Designs auf Anfrage

> Ripple Current Multiplier · Wechselstrommultiplikator

Frequency [Hz]	50/60	120	300	1k	≥ 10k
Multiplier	0.80	1.00	1.18	1.34	1.45

Ta (°C)	40	45	50	55	60	65	70	75	80	85
Multiplier	2.1	2.1	2.0	1.9	1.8	1.6	1.5	1.3	1.1	1.0

Forced cooling – Wind speed [m/sec]	v < 0.25	v ≥ 0.25	v ≥ 0.5	v ≥ 1.0	v ≥ 2.0	v ≥ 3.0
Multiplier	1.00	1.07	1.15	1.25	1.30	1.35

> Life Time Table · Brauchbarkeitsdauer – Tabelle

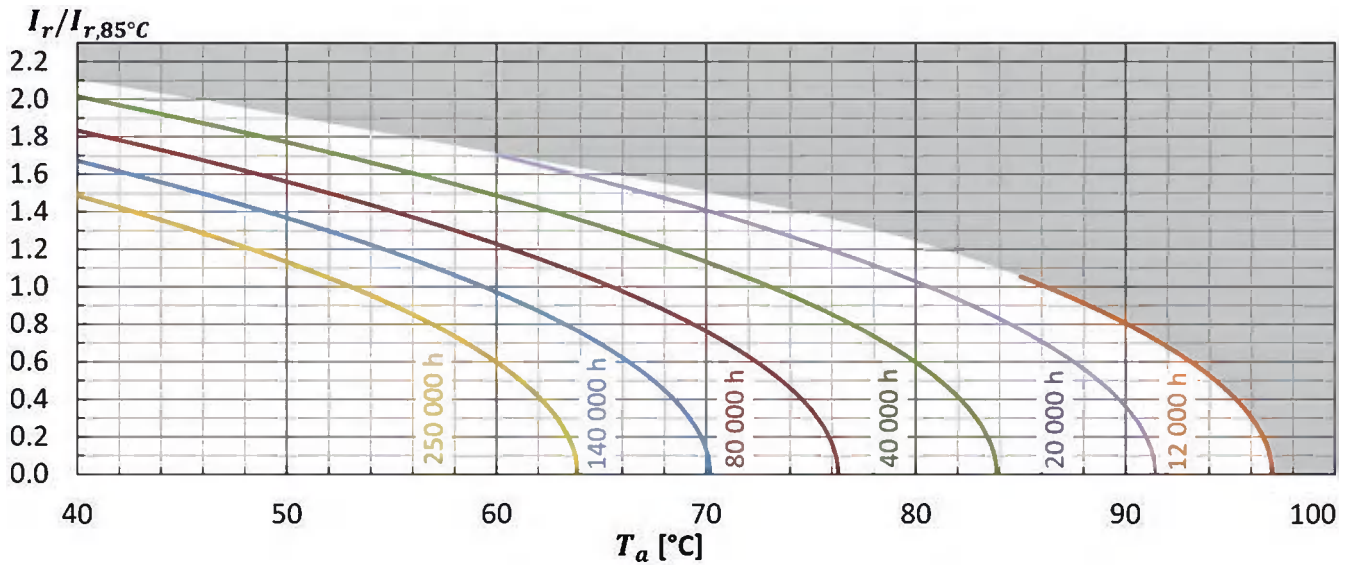
VFLR	Useful life as function of ambient temperature and ripple current												
	I_r at 85°C	x 1.0	x 1.1	x 1.2	x 1.3	x 1.4	x 1.5	x 1.6	x 1.7	x 1.8	x 1.9	x 2.0	x 2.1
T _a = 40°C	250	250	250	250	250	240	176	127	90	62	42	28	
T _a = 45°C	250	250	250	250	202	151	111	80	57	39	26	17	
T _a = 50°C	250	250	214	167	127	96	70	50	36	25	16		
T _a = 55°C	209	170	135	105	80	60	44	32	22	15			
T _a = 60°C	132	107	85	66	51	38	28	20	14				
T _a = 65°C	83	68	54	42	32	24	17						
T _a = 70°C	52	43	34	26	20	15							
T _a = 75°C	33	27	21	16									
T _a = 80°C	21	17											
T _a = 85°C	12												

khrs Max. value limited to 250 000 hours.

> Life Time Graph · Brauchbarkeitsdauer – Diagramm

Useful life depending on ambient temperature T_a and ripple current operating conditions I_r , versus rated ripple current at the upper category temperature $I_{r, 85^\circ\text{C}, 120\text{Hz}}$

Brauchbarkeitsdauer in Abhängigkeit von Umgebungstemperatur T_a und Wechselstrombelastung I_r , im Verhältnis zur max. Wechselstrombelastung bei oberer Kategorie-temperatur $I_{r, 85^\circ\text{C}, 120\text{Hz}}$



> Life Time Tests and Requirements · Anforderungen Brauchbarkeitsdauer

Life time test	Test procedure	Life time criteria
Endurance test	$T_a = 85^\circ\text{C}$; V_r, I_r applied 8000 hours	$\Delta C/C \leq 10\%$ (of initial value) $\text{Tan}\delta \leq 175\%$ (of specified value) $I_L \leq$ specified value
Useful life	$T_a = 85^\circ\text{C}$; V_r, I_r applied 12000 hours	$\Delta C/C \leq 15\%$ (of initial value) $\text{Tan}\delta < 200\%$ (of specified value) $I_L \leq$ specified value

Reference Specification: JIS C 5101-4, JIS C 5102, IEC 60384-4

VG · Screw-Terminal · 6000 h/105 °C

Standard Performances · Bottom cooling design

Optional design for permanent and deep charge-discharge application with high voltage hub and pulsed operation mode upon request.

Spezielles Design für häufige und tiefe Lade-, Entladeanwendungen mit hohem Spannungshub und Impulsbetrieb auf Anfrage erhältlich.

> Specifications · Spezifikationen

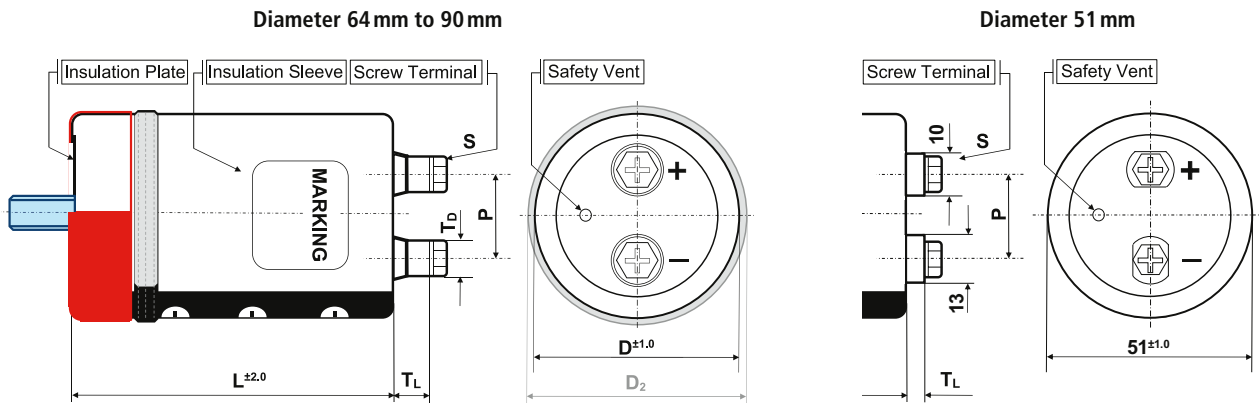
Items	Characteristics
Temperature range	-40°C ~ + 105°C
Capacitance tolerance (at 20°C)	Standard +/- 20%, -10/+30% on request
Surge voltage / Ripple voltage	Repetitive max. 30 sec per 6 Minutes / ≤ 50V
Leakage current max. I _L (20°C, 5 min)	0.01 • C • V, [μA] or 5 mA, which is smaller.
Useful life	6000 hours at 105°C
Field failure rate	0.5 FIT = 0.5 • 10 ⁻⁹ Failures/hour
Reference standards	IEC 60384-4, JIS C 5101-4
Vibration	0.75mm, 10...55Hz, 10g, 3x2h
Outer materials	UL94-V0/UL224-VW1 certified (cap/sleeve)
Sleeve withstanding voltage	4000 Vac/1min between terminals bundled and plate*
Product Compliance	RoHS, REACH, Conflict Minerals a.o. – refer to p. 12–13

* Typical value



> Shape designation · Formbezeichnung

- additional information on p. 10–11 · Zusatzinformationen auf S. 10–11
- mounting accessories from p. 181 · Montagezubehör ab S. 181



Shape code Features	B Bolt	I/Y double sleeve for 2/3 points metal Bracket	N + suffix WC blank bottom + seating ring	N standard
outer insulation sleeve	•	•	•	•
insulation plate	•	•		•
stud bolt	•			
bottom double sleeve		•		
integrated seating ring			•	

diameter code	ØD	available shape	P	S	T _L	T _D	Cap material
C	51	B, N, I, Y	22.0	M5x10	4.5	13/10	PH
D	64	B, N, I, Y	28.6	M5x10	8.0	11	PH
E	77	B, N, I, Y, WC	31.5	M5x10	8.0	11	PH
				M6x12	9.0	12	PH
F	90	B, N, I, Y, WC	31.5	M5x10	7.0	11	PH
				M6x12	8.0	12	PH

Size in mm. First listed terminal is standard.

> Product Code · Bestellbezeichnung

Example: Series VG · 15000 µF +/- 20 % · 400 V · D=90 mm · L= 190 mm with Y-Bracket

VG	2G	153	Y	F	190
Series name	Capacitance code		Shape code	Diameter code	Capacitance tolerance Ø : ± 20 % Q : -10 % ~ +30 %
Rated voltage code					
Code	Voltage	Code	Voltage	Code	Voltage
1E	25	2A	100	2G	400
1V	35	2C	160	2W	450
1H	50	2D	200	2H	500
1J	63	2E	250		
1K	80	2V	350		

Specific features (e.g. M6 ...)

Case length code – length in mm (3 digits)

Rated Voltage Code (Surge Voltage) V _r [V DC]	Capacitance C _r [µF]	Ripple Current at 105°C/120Hz I _r [A RMS]	Ripple Current at 40°C/120Hz [A RMS]	ESR (typ) at 20°C/100Hz [mΩ]	Z _{max} at 20°C/10kHz [mΩ]	ESL (typ) [nH]	Dissipation Factor at 20°C/120Hz Tan δ	DxL [mm]	Product Code # = variable value, see fixing code in the product code
25 VDC Code: 1E Surge Voltage 32 VDC	150 000	12.9	63.2	6	7	18	0.80	64x94	VG1E154#D094
	180 000	14.1	69.1	5	6	18	0.90	64x107	VG1E184#D107
	220 000	16.0	78.4	4	5	20	1.00	64x123	VG1E224#D123
		14.9	73.0	4	5	20	1.00	77x95	VG1E224#E095
	270 000	16.4	80.4	4	5	20	1.00	77x108	VG1E274#E108
		18.2	89.2	4	5	20	1.00	90x97	VG1E274#F097
330 000	20.2	99.0	4	5	20	1.00	90x110	VG1E334#F110	
35 VDC Code: 1V Surge Voltage 44 VDC	100 000	12.3	60.3	6	7	18	0.60	64x94	VG1V104#D094
	120 000	13.4	65.7	6	7	18	0.70	64x107	VG1V124#D107
	150 000	15.4	75.5	5	7	20	0.70	64x123	VG1V154#D123
		14.0	68.6	5	7	20	0.70	77x95	VG1V154#E095
	180 000	15.2	74.5	5	7	20	0.70	77x108	VG1V184#E108
		16.3	79.9	5	7	20	0.70	90x97	VG1V184#F097
	220 000	17.2	84.3	5	7	20	0.70	77x124	VG1V224#E124
17.9	87.7	5	7	20	0.70	90x110	VG1V224#F110		
50 VDC Code: 1H Surge Voltage 63 VDC	68 000	11.2	54.9	8	9	18	0.45	64x94	VG1H683#D094
	82 000	12.3	60.3	8	8	18	0.50	64x107	VG1H823#D107
	100 000	13.9	68.1	6	7	18	0.50	64x123	VG1H104#D123
		14.2	69.6	6	7	20	0.50	77x95	VG1H104#E095
	120 000	15.5	76.0	5	7	20	0.50	77x108	VG1H124#E108
	150 000	17.7	86.7	5	7	20	0.50	77x124	VG1H154#E124
		19.2	94.1	5	7	20	0.50	90x97	VG1H154#F097
180 000	20.9	102.4*	4	6	20	0.50	90x110	VG1H184#F110	
63 VDC Code: 1J Surge Voltage 80 VDC	47 000	10.5	51.5	8	9	18	0.35	64x94	VG1J473#D094
	56 000	11.5	56.4	8	9	18	0.40	64x107	VG1J563#D107
	68 000	13.0	63.7	7	8	18	0.40	64x123	VG1J683#D123
		12.9	63.2	7	8	20	0.40	77x95	VG1J683#E095
	82 000	14.1	69.1	7	8	20	0.40	77x108	VG1J823#E108
		15.5	76.0	7	8	20	0.40	90x97	VG1J823#F097
	100 000	16.0	78.4	7	8	20	0.40	77x124	VG1J104#E124
17.0	83.3	7	8	20	0.40	90x110	VG1J104#F110		

Additional designs on request · Weitere Designs auf Anfrage

VG · Screw-Terminal · 6000 h/105 °C

Rated VoltageCode (Surge Voltage) V_r [V DC]	Capacitance C_r [μ F]	Ripple Current at 105°C/120Hz I_r [A RMS]	Ripple Current at 40°C/120Hz [A RMS]	ESR (typ) at 20°C/100Hz [m Ω]	Zmax at 20°C/10kHz [m Ω]	ESL (typ) [nH]	Dissipation Factor at 20°C/120Hz Tan δ	DxL [mm]	Product Code # = variable value, see fixing code in the product code
80 VDC Code: 1K Surge Voltage 100 VDC	10 000	5.2	25.5	15	9	17	0.30	51x75	VG1K103#C075
	27 000	8.6	42.1	8	7	18	0.30	64x94	VG1K273#D094
	33 000	9.5	46.6	7	7	18	0.30	64x107	VG1K333#D107
	47 000	11.7	57.3	6	7	18	0.30	64x123	VG1K473#D123
		12.2	59.8	6	7	20	0.30	77x95	VG1K473#E095
	56 000	13.2	64.7	5	7	20	0.30	77x108	VG1K563#E108
		15.3	75.0	5	7	20	0.30	90x97	VG1K563#F097
	68 000	14.9	73.0	4	7	20	0.30	77x124	VG1K683#E124
	16.8	82.3	4	7	20	0.30	90x110	VG1K683#F110	
100 VDC Code: 2A Surge Voltage 125 VDC	18 000	8.6	42.1	9	10	18	0.20	64x94	VG2A183#D094
	22 000	9.5	46.6	8	9	18	0.20	64x107	VG2A223#D107
		9.8	48.0	8	9	18	0.20	77x95	VG2A223#E095
	33 000	12.0	58.8	6	7	18	0.25	64x123	VG2A333#D123
		12.1	59.3	6	7	20	0.25	77x95	VG2A333#E095
	39 000	13.1	64.2	5	7	20	0.25	77x108	VG2A393#E108
		11.3	55.4	5	7	20	0.25	90x68	VG2A393#F068
	47 000	14.7	72.0	5	7	20	0.25	77x124	VG2A473#E124
	15.2	74.5	5	7	20	0.25	90x97	VG2A473#F097	
	16.5	80.9	4	6	20	0.25	90x110	VG2A563#F110	
160 VDC Code: 2C Surge Voltage 200 VDC	6 800	6.4	31.4	22	23	18	0.25	64x94	VG2C682#D094
	8 200	6.4	31.4	18	19	18	0.25	64x94	VG2C822#D094
	10 000	7.0	34.3	15	16	18	0.25	64x107	VG2C103#D107
	15 000	8.9	43.6	14	14	18	0.25	64x123	VG2C153#D123
		9.1	44.6	14	14	20	0.25	77x95	VG2C153#E095
	18 000	8.7	42.6	12	12	18	0.25	64x147	VG2C183#D147
		9.9	48.5	12	12	20	0.25	77x108	VG2C183#E108
	22 000	11.2	54.9	10	10	20	0.25	77x124	VG2C223#E124
		12.7	62.2	10	10	20	0.25	90x97	VG2C223#F097
	27 000	12.2	59.8	8	8	20	0.25	77x148	VG2C273#E148
14.0		68.6	8	8	20	0.25	90x110	VG2C273#F110	
33 000	15.3	75.0	7	7	20	0.25	90x126	VG2C333#F126	
200 VDC Code: 2D Surge Voltage 250 VDC	2 200	2.8	13.7	68	60	17	0.25	51x75	VG2D222#C075
	6 800	5.3	26.0	21	20	18	0.25	64x94	VG2D682#D094
	10 000	6.4	31.4	14	14	18	0.25	64x110	VG2D103#D110
	12 000	7.2	35.3	12	12	18	0.25	64x123	VG2D123#D123
		8.1	39.7	12	12	20	0.25	77x95	VG2D123#E095
	15 000	7.9	38.7	10	10	18	0.25	64x147	VG2D153#D147
		9.1	44.6	10	10	20	0.25	77x108	VG2D153#E108
	18 000	10.5	51.5	10	10	20	0.25	90x97	VG2D153#F097
10.2		50.0	8	8	20	0.25	77x124	VG2D183#E124	
	11.4	55.9	8	8	20	0.25	90x110	VG2D183#F110	
250 VDC Code: 2E Surge Voltage 300 VDC	4 700	4.4	21.6	25	23	18	0.25	64x94	VG2E472#D094
	5 600	4.8	23.5	21	20	18	0.25	64x107	VG2E562#D107
	8 200	6.0	29.4	15	15	18	0.25	64x123	VG2E822#D123
		6.7	32.8	15	15	20	0.25	77x95	VG2E822#E095
	10 000	6.5	31.9	13	13	18	0.25	64x147	VG2E103#D147
		7.4	36.3	13	13	20	0.25	77x108	VG2E103#E108
	12 000	8.3	40.7	11	11	20	0.25	77x124	VG2E123#E124
		9.4	46.1	11	11	20	0.25	90x97	VG2E123#F097
15 000	9.1	44.6	9	9	20	0.25	77x148	VG2E153#E148	
	10.3	50.5	9	9	20	0.25	90x126	VG2E153#F126	

Additional designs on request · Weitere Designs auf Anfrage

Rated VoltageCode (Surge Voltage) V_r [V DC]	Capacitance C_r [μ F]	Ripple Current at 105°C/120Hz I_r [A RMS]	Ripple Current at 40°C/120Hz [A RMS]	ESR (typ) at 20°C/100Hz [m Ω]	Zmax at 20°C/10kHz [m Ω]	ESL (typ) [nH]	Dissipation Factor at 20°C/120Hz Tan δ	DxL [mm]	Product Code # = variable value, see fixing code in the product code
350 VDC Code: 2V Surge Voltage 400 VDC	1 800	5.6	15.2	59	70	17	0.20	51x75	VG2V182#C075
	2 200	6.5	17.6	48	57	17	0.20	51x96	VG2V222#C096
	2 700	7.5	20.3	39	47	17	0.20	51x109	VG2V272#C109
	3 300	8.6	23.3	32	38	17	0.20	51x125	VG2V332#C125
	3 900	10.5	28.4	27	32	18	0.20	64x94	VG2V392#D094
	4 700	11.9	32.1	22	23	18	0.20	64x107	VG2V472#D107
	5 600	13.0	35.1	20	21	18	0.20	64x123	VG2V562#D123
		14.6	39.4	20	21	20	0.20	77x95	VG2V562#E095
		14.1	38.1	18	18	18	0.20	64x147	VG2V682#D147
	6 800	16.0	43.2	18	18	20	0.20	77x108	VG2V682#E108
		18.5	50.0	18	18	20	0.20	90x97	VG2V682#F097
		15.9	42.9	15	17	18	0.20	64x187	VG2V822#D187
	8 200	18.0	48.6	15	17	20	0.20	77x124	VG2V822#E124
		20.2	54.5	15	17	20	0.20	90x110	VG2V822#F110
	10 000	19.5	52.7	12	15	20	0.20	77x148	VG2V103#E148
		22.1	59.7	12	15	20	0.20	90x126	VG2V103#F126
	12 000	21.8	58.9	10	13	20	0.20	77x188	VG2V123#E188
		24.1	65.1	10	13	20	0.20	90x150	VG2V123#F150
	15 000	25.2	68.0	8	11	20	0.20	77x228	VG2V153#E228
		26.5	71.6	8	11	20	0.20	90x167	VG2V153#F167
18 000	29.3	79.1	6	9	20	0.20	90x190	VG2V183#F190	
22 000	31.5	85.1	5	7	20	0.20	90x230	VG2V223#F230	
27 000	34.4	92.9	4	6	20	0.20	90x268	VG2V273#F268	
400 VDC Code: 2G Surge Voltage 450 VDC	1 500	5.2	14.1	66	77	17	0.20	51x75	VG2G152#C075
	1 800	6.0	16.2	55	65	17	0.20	51x96	VG2G182#C096
	2 200	7.0	18.9	45	53	17	0.20	51x109	VG2G222#C109
	2 700	8.0	21.6	37	43	17	0.20	51x125	VG2G272#C125
		8.8	23.8	38	40	18	0.20	64x94	VG2G272#D094
	3 300	9.7	26.2	30	35	18	0.20	64x94	VG2G332#D094
	3 900	10.8	29.2	27	32	18	0.20	64x107	VG2G392#D107
	4 700	11.9	32.1	22	23	18	0.20	64x123	VG2G472#D123
		13.3	35.9	22	23	20	0.20	77x95	VG2G472#E095
	5 600	12.8	34.6	20	21	18	0.20	64x147	VG2G562#D147
		14.5	39.2	20	21	20	0.20	77x108	VG2G562#E108
		16.8	45.4	20	21	20	0.20	90x97	VG2G562#F097
	6 800	14.5	39.2	18	18	18	0.20	64x187	VG2G682#D187
		16.4	44.3	18	18	20	0.20	77x124	VG2G682#E124
		16.5	44.6	18	18	20	0.20	90x93	VG2G682#F093
		18.4	49.7	18	18	20	0.20	90x110	VG2G682#F110
	8 200	18.0	48.6	15	17	20	0.20	77x165	VG2G822#E165
		20.0	54.0	15	17	20	0.20	90x126	VG2G822#F126
	10 000	19.9	53.7	12	15	20	0.20	77x188	VG2G103#E188
		22.0	59.4	12	15	20	0.20	90x150	VG2G103#F150
12 000	23.7	64.0	10	13	20	0.20	90x167	VG2G123#F167	
15 000	26.7	72.1	8	11	20	0.20	90x190	VG2G153#F190	
18 000	28.5	77.0	7	9	20	0.20	90x230	VG2G183#F230	
22 000	31.1	84.0	6	7	20	0.20	90x268	VG2G223#F268	

Additional designs on request · Weitere Designs auf Anfrage

Rated VoltageCode (Surge Voltage) V_r [V DC]	Capacitance C_r [μ F]	Ripple Current at 105°C/120Hz I_r [A RMS]	Ripple Current at 40°C/120Hz [A RMS]	ESR (typ) at 20°C/100Hz [m Ω]	Zmax at 20°C/10kHz [m Ω]	ESL (typ) [nH]	Dissipation Factor at 20°C/120Hz Tan δ	DxL [mm]	Product Code # = variable value, see fixing code in the product code
450 VDC Code: 2W Surge Voltage 500 VDC	1 000	4.5	12.2	114	114	17	0.20	51x75	VG2W102#C075
	1 200	5.2	14.1	95	95	17	0.20	51x96	VG2W122#C096
	1 500	5.9	16.0	76	76	17	0.20	51x109	VG2W152#C109
	1 800	6.6	17.9	63	63	17	0.20	51x125	VG2W182#C125
	2 700	9.0	24.3	42	42	18	0.20	64x94	VG2W272#D094
	3 300	10.2	27.5	35	40	18	0.20	64x107	VG2W332#D107
		11.4	30.8	35	40	20	0.20	77x95	VG2W332#E095
	3 900	10.9	29.4	27	32	18	0.20	64x147	VG2W392#D147
		12.4	33.5	27	32	20	0.20	77x108	VG2W392#E108
	4 700	12.2	32.9	24	27	18	0.20	64x164	VG2W472#D164
		13.9	37.5	24	27	20	0.20	77x124	VG2W472#E124
		15.8	42.7	24	27	20	0.20	90x97	VG2W472#F097
	5 600	14.9	40.2	24	23	20	0.20	77x148	VG2W562#E148
		17.1	46.2	24	23	20	0.20	90x110	VG2W562#F110
	6 800	16.8	45.4	20	20	20	0.20	77x165	VG2W682#E165
		18.7	50.5	20	20	20	0.20	90x126	VG2W682#F126
	8 200	18.5	50.0	18	18	20	0.20	77x188	VG2W822#E188
		20.4	55.1	18	18	20	0.20	90x150	VG2W822#F150
	10 000	20.3	54.8	15	15	20	0.20	77x188	VG2W103#E188
		22.5	60.8	15	15	20	0.20	90x150	VG2W103#F150
22.2		59.9	15	15	20	0.20	90x167	VG2W103#F167	
12 000	24.5	66.2	13	12	20	0.20	90x190	VG2W123#F190	
14 000	26.3	71.0	11	11	20	0.20	90x190	VG2W143#F190	
15 000	26.6	71.8	10	10	20	0.20	90x230	VG2W153#F230	
18 000	28.8	77.8	8	8	20	0.20	90x268	VG2W183#F268	
500 VDC Code: 2H Surge Voltage 550 VDC	560	3.0	8.1	199	215	17	0.20	51x75	VG2H561#C075
	680	3.6	9.8	164	177	17	0.20	51x96	VG2H681#C096
	820	4.0	10.8	136	147	17	0.20	51x109	VG2H821#C109
	1 000	4.6	12.5	111	120	17	0.20	51x125	VG2H102#C125
	1 500	6.5	17.6	74	80	18	0.20	64x107	VG2H152#D107
	1 800	7.2	19.4	62	50	18	0.20	64x123	VG2H182#D123
		8.0	21.6	62	50	20	0.20	77x95	VG2H182#E095
	2 200	7.8	21.1	53	50	18	0.20	64x147	VG2H222#D147
		8.9	24.0	53	50	20	0.20	77x108	VG2H222#E108
	2 700	8.8	23.8	40	35	18	0.20	64x164	VG2H272#D164
		11.4	30.8	40	35	20	0.20	90x97	VG2H272#F097
	3 300	9.8	26.5	38	32	18	0.20	64x187	VG2H332#D187
		11.1	30.0	38	32	20	0.20	77x124	VG2H332#E124
	3 900	12.5	33.8	38	32	20	0.20	90x110	VG2H332#F110
		11.9	32.1	30	27	20	0.20	77x148	VG2H392#E148
	4 700	13.5	36.5	30	27	20	0.20	90x126	VG2H392#F126
		13.3	35.9	25	20	20	0.20	77x165	VG2H472#E165
	5 600	14.7	39.7	25	20	20	0.20	90x150	VG2H472#F150
		14.6	39.4	20	17	20	0.20	77x188	VG2H562#E188
	6 800	15.8	42.7	20	17	20	0.20	90x167	VG2H562#F167
17.5		47.3	17	17	20	0.20	90x190	VG2H682#F190	
8 200	18.8	50.8	14	14	20	0.20	90x230	VG2H822#F230	
12 000	22.4	60.5	10	10	20	0.20	90x268	VG2H123#F268	

* Please contact us if load condition exceeds terminals related I_{rmax} referred on page 11

Additional designs on request · Weitere Designs auf Anfrage

> Ripple Current Multiplier · Wechselstrommultiplikator

Frequency [Hz]	50/60	120	300	1k	≥ 10k
Multiplier	0.80	1.00	1.18	1.34	1.45

Ta (°C)	40	50	60	65	70	75	80	85	90	95	100	105
Multiplier 25-250 VDC	4.9	4.2	3.6	3.2	3.0	2.4	2.1	1.8	1.6	1.4	1.2	1.0
Multiplier 350-500 VDC	2.7	2.5	2.3	2.2	2.2	2.1	2.0	2.0	1.7	1.4	1.2	1.0

Forced cooling – Wind speed [m/sec]	v < 0.25	v ≥ 0.25	v ≥ 0.5	v ≥ 1.0	v ≥ 2.0	v ≥ 3.0
Multiplier	1.00	1.07	1.15	1.25	1.30	1.35

> Life Time Table · Brauchbarkeitsdauer – Tabelle

VG 25-250 VDC	Useful life as function of ambient temperature and ripple current											
I _r at 105°C	x 1.0	x 1.4	x 1.8	x 2.1	x 2.4	x 2.8	x 3.2	x 3.6	x 3.9	x 4.2	x 4.5	x 4.9
T _a = 40°C	250	250	250	250	250	250	250	250	250	250	207	127
T _a = 45°C	250	250	250	250	250	250	250	250	250	183	130	
T _a = 50°C	250	250	250	250	250	250	250	211	158	115		
T _a = 55°C	250	250	250	250	250	250	189	133	100			
T _a = 60°C	250	250	250	250	212	162	119	84				
T _a = 65°C	247	218	185	159	134	102	75					
T _a = 70°C	156	138	117	101	85	65						
T _a = 75°C	99	87	74	63	53							
T _a = 80°C	62	55	46	40								
T _a = 85°C	39	35	29									
T _a = 90°C	25	22										
T _a = 95°C	15	14										
T _a = 100°C	10											
T _a = 105°C	6											

khrs Max. value limited to 250 000 hours.

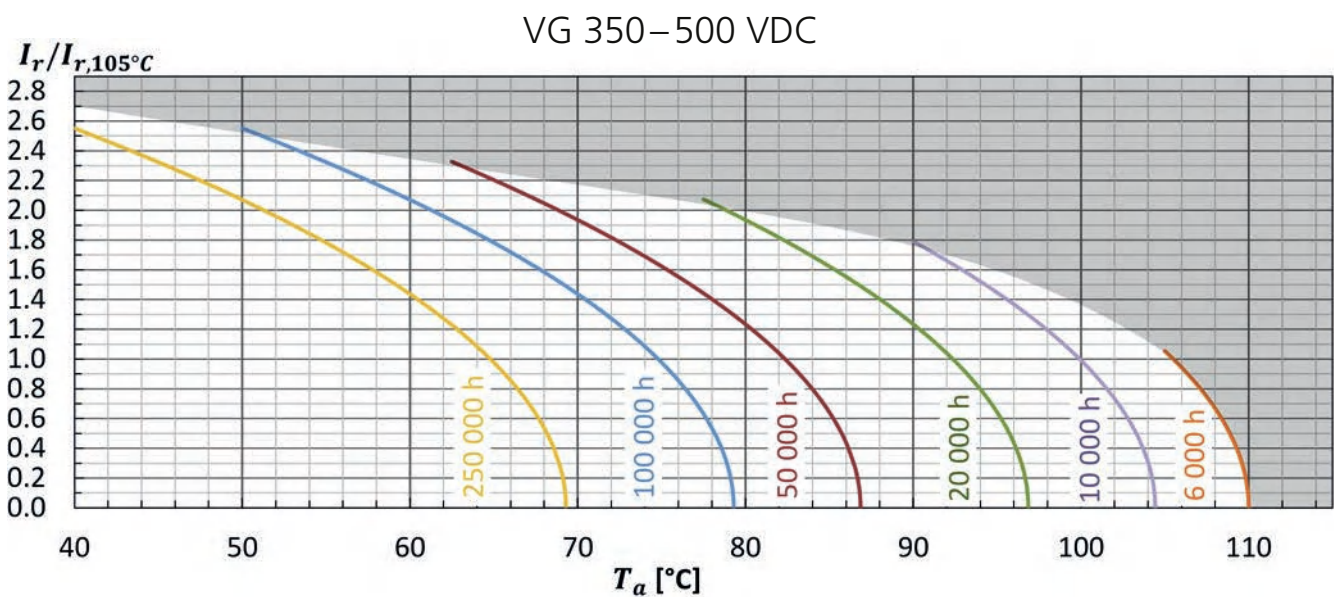
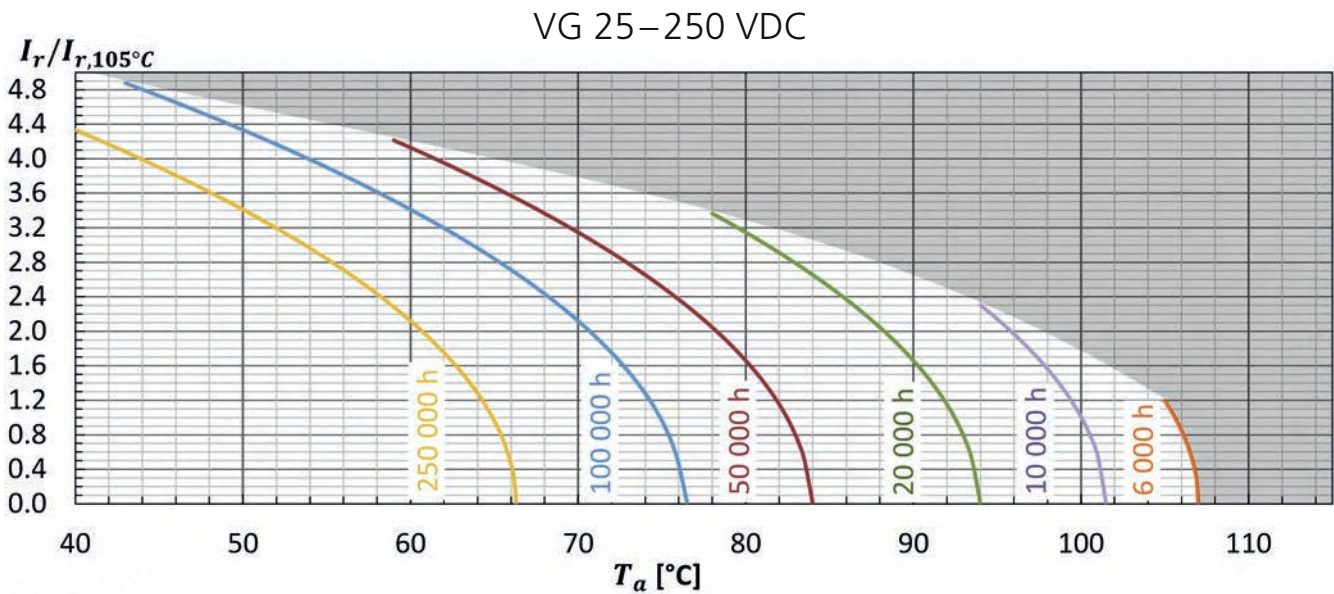
VG 350-500 VDC	Useful life as function of ambient temperature and ripple current											
I _r at 105°C	x 1.0	x 1.2	x 1.4	x 1.7	x 2.0	x 2.1	x 2.2	x 2.3	x 2.4	x 2.5	x 2.6	x 2.7
T _a = 40°C	250	250	250	250	250	250	250	250	250	250	225	181
T _a = 45°C	250	250	250	250	250	250	250	250	215	176	142	
T _a = 50°C	250	250	250	250	250	237	199	165	136	111		
T _a = 55°C	250	250	250	250	178	150	125	104	86			
T _a = 60°C	250	250	250	177	112	95	79	66				
T _a = 65°C	245	204	165	112	71	60	50					
T _a = 70°C	155	129	104	71	45	38	31					
T _a = 75°C	98	81	66	45	28	24						
T _a = 80°C	62	51	41	28	18							
T _a = 85°C	39	32	26	18	11							
T _a = 90°C	24	20	16	11								
T _a = 95°C	15	13	10									
T _a = 100°C	9	8										
T _a = 105°C	6											

khrs Max. value limited to 250 000 hours.

> Life Time Graph · Brauchbarkeitsdauer – Diagramm

Useful life depending on ambient temperature T_a and ripple current operating conditions I_r versus rated ripple current at the upper category temperature $I_{r, 105^\circ\text{C}, 120\text{Hz}}$

Brauchbarkeitsdauer in Abhängigkeit von Umgebungstemperatur T_a und Wechselstrombelastung I_r im Verhältnis zur max. Wechselstrombelastung bei oberer Kategorie-temperatur $I_{r, 105^\circ\text{C}, 120\text{Hz}}$



> Life Time Tests and Requirements · Anforderungen Brauchbarkeitsdauer

Life time test	Test procedure	Life time criteria
Endurance test	$T_a = 105^\circ\text{C}$; V_r, I_r applied 4000 hours	$\Delta C/C \leq 10\%$ (of initial value) $\tan\delta \leq 175\%$ (of specified value) $I_L \leq$ specified value
Useful life	$T_a = 105^\circ\text{C}$; V_r, I_r applied 6000 hours	$\Delta C/C \leq 15\%$ (of initial value) $\tan\delta < 200\%$ (of specified value) $I_L \leq$ specified value

Reference Specification: JIS C 5101-4, JIS C 5102, IEC 60384-4

VGL · Screw-Terminal · 12000 h/105°C

Long Life · Bottom cooling design

Optional design for permanent and deep charge-discharge application with high voltage hub and pulsed operation mode upon request.

Spezielles Design für häufige und tiefe Lade-, Entladeanwendungen mit hohem Spannungshub und Impulsbetrieb auf Anfrage erhältlich.

> Specifications · Spezifikationen

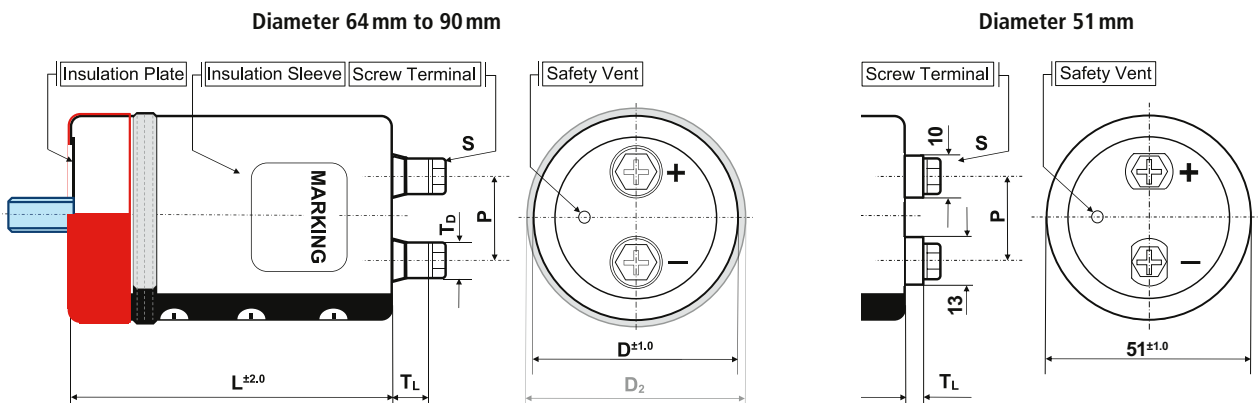
Items	Characteristics
Temperature range	-40°C ~ + 105°C
Capacitance tolerance (at 20°C)	Standard +/- 20%, -10/+30% on request
Surge voltage / Ripple voltage	Repetitive max. 30 sec per 6 Minutes / ≤ 50V
Leakage current max. I_L (20°C, 5 min)	0.01 • C • V _r [μA] or 5 mA, which is smaller.
Useful life	12 000 hours at 105°C
Field failure rate	0.5 FIT = 0.5 • 10 ⁻⁹ Failures/hour
Reference standards	IEC 60384-4, JIS C 5101-4
Vibration	0.75mm, 10...55Hz, 10g, 3x2h
Outer materials	UL94-V0/UL224-VW1 certified (cap/sleeve)
Sleeve withstanding voltage	4000 Vac/ 1min between terminals bundled and plate*
Product Compliance	RoHS, REACH, Conflict Minerals a.o. – refer to p. 12–13

* Typical value



> Shape designation · Formbezeichnung

- additional information on p. 10–11 · Zusatzinformationen auf S. 10–11
- mounting accessories from p. 181 · Montagezubehör ab S. 181



Shape code Features	B Bolt	I/Y double sleeve for 2/3 points metal Bracket	N + suffix WC blank bottom + seating ring	N standard
outer insulation sleeve	•	•	•	•
insulation plate	•	•		•
stud bolt	•			
bottom double sleeve		•		
integrated seating ring			•	

diameter code	ØD	available shape	P	S	T _L	T _D	Cap material
C	51	B, N, I, Y	22.0	M5x10	4.5	13/10	PH
D	64	B, N, I, Y	28.6	M5x10	8.0	11	PH
E	77	B, N, I, Y, WC	31.5	M5x10 M6x12	8.0 9.0	11 12	PH PH
F	90	B, N, I, Y, WC	31.5	M5x10 M6x12	7.0 8.0	11 12	PH PH

Size in mm. First listed terminal is standard.

> Product Code · Bestellbezeichnung

Example: Series VGL · 15000 µF +/- 20 % · 400 V · D=90 mm · L= 190 mm with Y-Bracket

VGL	2G	153	Y	F	190
Series name	Capacitance code		Shape code	Diameter code	Specific features (e.g. M6 ...)
Rated voltage code					
Code	Voltage	Code	Voltage	Capacitance tolerance	
2V	350	2W	450	Ø : ± 20 %	
2G	400	2H	500	Q : -10 % ~ +30 %	
Case length code – length in mm (3 digits)					

Rated Voltage Code (Surge Voltage) V_r [V DC]	Capacitance C_r [µF]	Ripple Current at 105°C/120Hz I_r [A RMS]	Ripple Current at 40°C/120Hz [A RMS]	ESR (typ) at 20°C/100Hz [mΩ]	Zmax at 20°C/10kHz [mΩ]	ESL (typ) [nH]	Dissipation Factor at 20°C/120Hz Tan δ	DxL [mm]	Product Code # = variable value, see fixing code in the product code
350 VDC Code: 2V Surge Voltage 400 VDC	1 800	5.6	15.2	59	70	17	0.20	51x75	VGL2V182#C075
	2 200	6.5	17.6	48	57	17	0.20	51x96	VGL2V222#C096
	2 700	7.5	20.3	39	47	17	0.20	51x109	VGL2V272#C109
	3 300	8.6	23.3	32	38	17	0.20	51x125	VGL2V332#C125
	3 900	10.5	28.4	27	32	18	0.20	64x94	VGL2V392#D094
	4 700	11.9	32.1	22	23	18	0.20	64x107	VGL2V472#D107
		13.0	35.1	20	21	18	0.20	64x123	VGL2V562#D123
		14.6	39.4	20	21	20	0.20	77x95	VGL2V562#E095
	6 800	14.1	38.1	18	18	18	0.20	64x147	VGL2V682#D147
		16.0	43.2	18	18	20	0.20	77x108	VGL2V682#E108
		18.5	50.0	18	18	20	0.20	90x97	VGL2V682#F097
	8 200	15.9	42.9	15	17	18	0.20	64x187	VGL2V822#D187
		18.0	48.6	15	17	20	0.20	77x124	VGL2V822#E124
		20.2	54.5	15	17	20	0.20	90x110	VGL2V822#F110
	10 000	19.5	52.7	12	15	20	0.20	77x148	VGL2V103#E148
		22.1	59.7	12	15	20	0.20	90x126	VGL2V103#F126
	12 000	21.8	58.9	10	13	20	0.20	77x188	VGL2V123#E188
		24.1	65.1	10	13	20	0.20	90x150	VGL2V123#F150
	15 000	25.2	68.0	8	11	20	0.20	77x228	VGL2V153#E228
		26.9	72.6	8	11	20	0.20	90x150	VGL2V153#F150
18 000	29.3	79.1	6	9	20	0.20	90x190	VGL2V183#F190	
22 000	31.5	85.1	5	7	20	0.20	90x230	VGL2V223#F230	
27 000	34.4	92.9	4	6	20	0.20	90x268	VGL2V273#F268	
400 VDC Code: 2G Surge Voltage 450 VDC	1 200	4.7	12.7	83	97	17	0.20	51x75	VGL2G122#C075
	1 500	5.6	15.2	66	77	17	0.20	51x96	VGL2G152#C096
	1 800	6.2	16.8	55	65	17	0.20	51x109	VGL2G182#C109
	2 200	7.0	18.9	45	53	17	0.20	51x125	VGL2G222#C125
	3 300	9.7	26.2	30	35	18	0.20	64x94	VGL2G332#D094
	3 900	10.8	29.2	27	32	18	0.20	64x107	VGL2G392#D107
	4 700	11.9	32.1	22	23	18	0.20	64x123	VGL2G472#D123
13.3		35.9	22	23	20	0.20	77x95	VGL2G472#E095	

Additional designs on request · Weitere Designs auf Anfrage

Rated VoltageCode (Surge Voltage) V_r [V DC]	Capacitance C_r [μF]	Ripple Current at 105°C/120Hz I_r [A RMS]	Ripple Current at 40°C/120Hz [A RMS]	ESR (typ) at 20°C/100Hz [mΩ]	Zmax at 20°C/10kHz [mΩ]	ESL (typ) [nH]	Dissipation Factor at 20°C/120Hz Tan δ	DxL [mm]	Product Code # = variable value, see fixing code in the product code
400 VDC Code: 2G Surge Voltage 450 VDC	5 600	12.8	34.6	20	21	18	0.20	64x147	VGL2G562#D147
		14.5	39.2	20	21	20	0.20	77x108	VGL2G562#E108
		16.8	45.4	20	21	20	0.20	90x97	VGL2G562#F097
	6 800	14.5	39.2	18	18	18	0.20	64x187	VGL2G682#D187
		16.4	44.3	18	18	20	0.20	77x124	VGL2G682#E124
		18.4	49.7	18	18	20	0.20	90x110	VGL2G682#F110
	8 200	18.0	48.6	15	17	20	0.20	77x165	VGL2G822#E165
		20.0	54.0	15	17	20	0.20	90x126	VGL2G822#F126
	10 000	19.9	53.7	12	15	20	0.20	77x188	VGL2G103#E188
		22.0	59.4	12	15	20	0.20	90x150	VGL2G103#F150
	12 000	23.7	64.0	10	13	20	0.20	90x167	VGL2G123#F167
	15 000	26.7	72.1	8	11	20	0.20	90x190	VGL2G153#F190
	18 000	28.5	77.0	7	9	20	0.20	90x230	VGL2G183#F230
22 000	31.1	84.0	6	7	20	0.20	90x268	VGL2G223#F268	
450 VDC Code: 2W Surge Voltage 500 VDC	1 000	4.2	11.4	93	93	17	0.20	51x75	VGL2W102#C075
	1 200	5.0	13.5	77	77	17	0.20	51x96	VGL2W122#C096
	1 500	5.9	16.0	62	62	17	0.20	51x109	VGL2W152#C109
	1 800	6.6	17.9	52	52	17	0.20	51x125	VGL2W182#C125
	2 200	8.1	21.9	42	42	18	0.20	64x94	VGL2W222#D094
		9.2	24.8	42	42	18	0.20	64x107	VGL2W272#D107
	3 300	10.2	27.5	35	40	18	0.20	64x123	VGL2W332#D123
		11.4	30.8	35	40	20	0.20	77x95	VGL2W332#E095
	3 900	10.9	29.4	27	32	18	0.20	64x147	VGL2W392#D147
		12.4	33.5	27	32	20	0.20	77x108	VGL2W392#E108
	4 700	12.2	32.9	24	27	18	0.20	64x164	VGL2W472#D164
		13.9	37.5	24	27	20	0.20	77x124	VGL2W472#E124
		15.8	42.7	24	27	20	0.20	90x97	VGL2W472#F097
	5 600	13.5	36.5	24	23	18	0.20	64x187	VGL2W562#D187
		14.9	40.2	22	23	20	0.20	77x148	VGL2W562#E148
		17.1	46.2	22	23	20	0.20	90x110	VGL2W562#F110
	6 800	16.8	45.4	20	20	20	0.20	77x165	VGL2W682#E165
		18.7	50.5	20	20	20	0.20	90x126	VGL2W682#F126
	8 200	18.5	50.0	18	18	20	0.20	77x188	VGL2W822#E188
		20.4	55.1	18	18	20	0.20	90x150	VGL2W822#F150
10 000	20.4	55.1	15	15	20	0.20	77x188	VGL2W103#E188	
	22.2	59.9	15	15	20	0.20	90x167	VGL2W103#F167	
12 000	24.5	66.2	13	12	20	0.20	90x190	VGL2W123#F190	
15 000	26.6	71.8	11	10	20	0.20	90x230	VGL2W153#F230	
18 000	28.8	77.8	9	8	20	0.20	90x268	VGL2W183#F268	
500 VDC Code: 2H Surge Voltage 550 VDC	560	3.0	8.1	199	215	17	0.20	51x75	VGL2H561#C075
	680	3.6	9.8	164	177	17	0.20	51x96	VGL2H681#C096
	820	4.0	10.8	136	147	17	0.20	51x109	VGL2H821#C109
	1 000	4.6	12.5	111	120	17	0.20	51x125	VGL2H102#C125
	1 500	6.5	17.6	74	80	18	0.20	64x107	VGL2H152#D107

Additional designs on request · Weitere Designs auf Anfrage

Rated VoltageCode (Surge Voltage) V_r [V DC]	Capacitance C_r [μ F]	Ripple Current at 105°C/120Hz I_r [A RMS]	Ripple Current at 40°C/120Hz [A RMS]	ESR (typ) at 20°C/100Hz [m Ω]	Zmax at 20°C/10kHz [m Ω]	ESL (typ) [nH]	Dissipation Factor at 20°C/120Hz Tan δ	DxL [mm]	Product Code # = variable value, see fixing code in the product code
500 VDC Code: 2H Surge Voltage 550 VDC	1 800	7.2	19.4	62	50	18	0.20	64x123	VGL2H182#D123
		8.0	21.6	62	50	20	0.20	77x95	VGL2H182#E095
	2 200	7.8	21.1	53	50	18	0.20	64x147	VGL2H222#D147
		8.9	24.0	53	50	20	0.20	77x108	VGL2H222#E108
	2 700	8.8	23.8	40	35	18	0.20	64x164	VGL2H272#D164
		11.4	30.8	40	35	20	0.20	90x97	VGL2H272#F097
	3 300	9.8	26.5	38	32	18	0.20	64x187	VGL2H332#D187
		11.1	30.0	38	32	20	0.20	77x124	VGL2H332#E124
		12.5	33.8	38	32	20	0.20	90x110	VGL2H332#F110
	3 900	11.9	32.1	30	27	20	0.20	77x148	VGL2H392#E148
		13.5	36.5	30	27	20	0.20	90x126	VGL2H392#F126
	4 700	13.3	35.9	25	20	20	0.20	77x165	VGL2H472#E165
		14.7	39.7	25	20	20	0.20	90x150	VGL2H472#F150
	5 600	14.6	39.4	20	17	20	0.20	77x188	VGL2H562#E188
		15.8	42.7	20	17	20	0.20	90x167	VGL2H562#F167
	6 800	17.5	47.3	17	17	20	0.20	90x190	VGL2H682#F190
	8 200	18.8	50.8	14	14	20	0.20	90x230	VGL2H822#F230
	10 000	20.5	55.4	12	12	20	0.20	90x268	VGL2H103#F268

Additional designs on request · Weitere Designs auf Anfrage

> Ripple Current Multiplier · Wechselstrommultiplikator

Frequency [Hz]	50/60	120	300	1k	≥ 10k
Multiplier	0.80	1.00	1.18	1.34	1.45

Ta (°C)	40	50	60	65	70	75	80	85	90	95	100	105
Multiplier	2.7	2.5	2.3	2.2	2.2	2.1	2.0	2.0	1.7	1.4	1.2	1.0

Forced cooling – Wind speed [m/sec]	v < 0.25	v ≥ 0.25	v ≥ 0.5	v ≥ 1.0	v ≥ 2.0	v ≥ 3.0
Multiplier	1.00	1.07	1.15	1.25	1.30	1.35

> Life Time Table · Brauchbarkeitsdauer – Tabelle

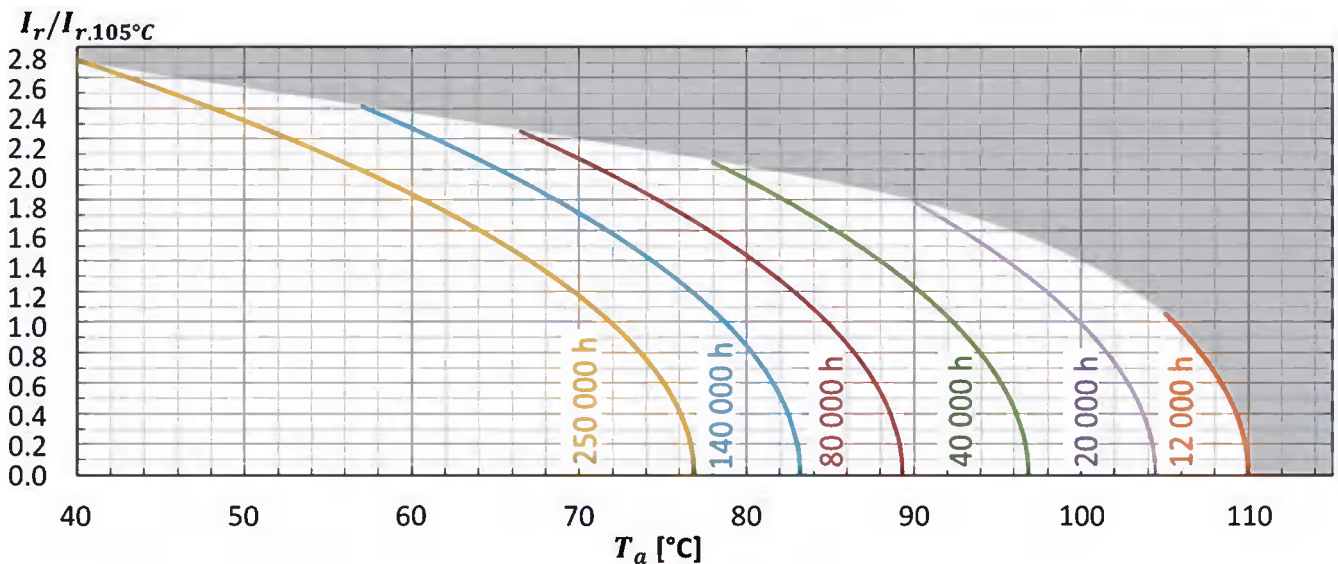
VGL	Useful life as function of ambient temperature and ripple current											
	$x 1.0$	$x 1.2$	$x 1.4$	$x 1.7$	$x 2.0$	$x 2.1$	$x 2.2$	$x 2.3$	$x 2.4$	$x 2.5$	$x 2.6$	$x 2.7$
$T_a = 40^\circ\text{C}$	250	250	250	250	250	250	250	250	250	250	250	250
$T_a = 45^\circ\text{C}$	250	250	250	250	250	250	250	250	250	250	250	250
$T_a = 50^\circ\text{C}$	250	250	250	250	250	250	250	250	250	222		
$T_a = 55^\circ\text{C}$	250	250	250	250	250	250	250	209	172			
$T_a = 60^\circ\text{C}$	250	250	250	250	225	190	159	132				
$T_a = 65^\circ\text{C}$	250	250	250	225	142	120	100					
$T_a = 70^\circ\text{C}$	250	250	208	142	90	76	63					
$T_a = 75^\circ\text{C}$	196	163	132	90	56	48						
$T_a = 80^\circ\text{C}$	124	103	83	56	36							
$T_a = 85^\circ\text{C}$	78	65	52	36	22							
$T_a = 90^\circ\text{C}$	49	41	33	22								
$T_a = 95^\circ\text{C}$	31	26	21									
$T_a = 100^\circ\text{C}$	19	16										
$T_a = 105^\circ\text{C}$	12											

khrs Max. value limited to 250 000 hours.

> Life Time Graph · Brauchbarkeitsdauer – Diagramm

Useful life depending on ambient temperature T_a and ripple current operating conditions I_r versus rated ripple current at the upper category temperature $I_{r, 105^\circ\text{C}, 120\text{Hz}}$

Brauchbarkeitsdauer in Abhängigkeit von Umgebungstemperatur T_a und Wechselstrombelastung I_r im Verhältnis zur max. Wechselstrombelastung bei oberer Kategorie-temperatur $I_{r, 105^\circ\text{C}, 120\text{Hz}}$



> Life Time Tests and Requirements · Anforderungen Brauchbarkeitsdauer

Life time test	Test procedure	Life time criteria
Endurance test	$T_a = 105^\circ\text{C}$; V_r, I_r applied 8000 hours	$\Delta C/C \leq 10\%$ (of initial value) $\tan\delta \leq 175\%$ (of specified value) $I_L \leq$ specified value
Useful life	$T_a = 105^\circ\text{C}$; V_r, I_r applied 12000 hours	$\Delta C/C \leq 15\%$ (of initial value) $\tan\delta < 200\%$ (of specified value) $I_L \leq$ specified value

Reference Specification: JIS C 5101-4, JIS C 5102, IEC 60384-4

HCGH · Screw-Terminal · 6000 h/105 °C

Standard Performances · Small Diameters

Optional design for permanent and deep charge-discharge application with high voltage hub and pulsed operation mode upon request.

Spezielles Design für häufige und tiefe Lade-, Entladeanwendungen mit hohem Spannungshub und Impulsbetrieb auf Anfrage erhältlich.

> Specifications · Spezifikationen

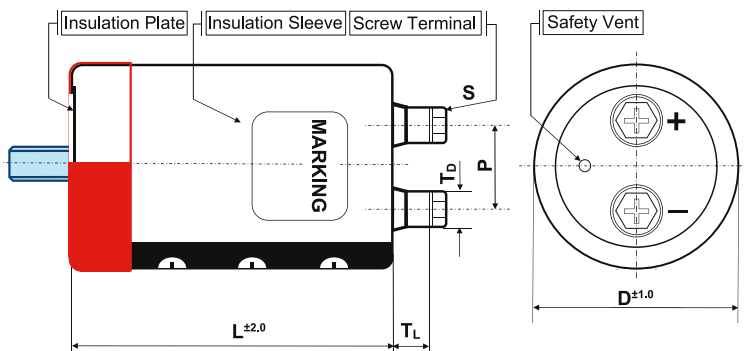
Items	Characteristics
Temperature range	-40°C ~ + 105°C
Capacitance tolerance	Standard +/- 20%, -10/+30% on request
Surge voltage	Repetitive max. 30 sec per 6 Minutes / ≤ 50V
Leakage current max. I _L (20°C, 5 min)	0.01 • C • V, [μA] or 3 mA, which is smaller.
Useful life	6000 hours at 105°C
Field failure rate	0.5 FIT = 0.5 • 10 ⁻⁹ Failures/hour
Reference standards	IEC 60384-4, JIS C 5101-4
Vibration	0.75mm, 10...55Hz, 10g, 3x2h
Outer materials	UL94-V0/UL224-VW1 certified (cap/sleeve)
Sleeve withstanding voltage	4000 Vac/1min between terminals bundled and plate*
Product Compliance	RoHS, REACH, Conflict Minerals a.o. – refer to p. 12–13

* Typical value



> Shape designation · Formbezeichnung

- additional information on p. 10–11 · Zusatzinformationen auf S. 10–11
- mounting accessories from p. 181 · Montagezubehör ab S. 181



Shape code Features	B Bolt	I/Y double sleeve for 2/3 points metal Bracket	N standard
outer insulation sleeve	•	•	•
insulation plate	•	•	•
stud bolt	•		
bottom double sleeve		•	

diameter code	ØD	available shape	P	S	T _L	T _D	Cap material
A	36	B, N, I	12.7	M5x10	6.5	8	PH
C	51	B, N, I, Y	22.0	M5x10	5.5	10	PH
D	64	B, N, I, Y	28.6	M5x10	5.5	10	PH
E	77	B, N, I, Y	31.5	M5x10	5.0	10	PH
				M6x12	4.5	17.2	PH
F	90	B, N, I, Y	31.5	M5x10	5.0	10	PH
				M6x12	5.0	17.2	PH

Size in mm. First listed terminal is standard.

> Product Code · Bestellbezeichnung

Example: Series HCGH · 4700 µF · 250 V · D=64 mm · L=115 mm with Y-Bracket

HCGH	2E	472	Y	D	115 (PH)
Series name	Capacitance code	Shape code	Diameter code	Capacitance tolerance	Specific features (e.g. M6 ...)
Rated voltage code					
Code	Voltage	Code	Voltage	Code	Voltage
1E	25	1K	80	2E	250
1V	35	2A	100	2G	400
1H	50	2C	160	2W	450
1J	63	2D	200		

Capacitance tolerance:
 Ø : ± 20 %
 Q : -10 % ~ +30 %

Case length code – length in mm (3 digits)

Rated Voltage Code (Surge Voltage) V _r [V DC]	Capacitance C _r [µF]	Ripple Current at 105°C/120Hz I _r [A RMS]	Ripple Current at 40°C/120Hz [A RMS]	ESR (typ) at 20°C/100Hz [mΩ]	Z _{max} at 20°C/10kHz [mΩ]	ESL (typ) [nH]	Dissipation Factor at 20°C/120Hz Tan δ	DxL [mm]	Product Code # = variable value, see fixing code in the product code
25 VDC Code: 1E Surge Voltage 32 VDC	10 000	3.3	15.8	32	30	15	0.35	36x53	HCGH1E103#A053PH
	15 000	4.8	23.0	27	27	15	0.35	36x83	HCGH1E153#A083PH
	22 000	5.9	28.3	22	23	15	0.35	36x83	HCGH1E223#A083PH
	33 000	7.2	34.6	15	16	15	0.40	36x100	HCGH1E333#A100PH
	47 000	9.2	44.2	10	11	17	0.40	51x75	HCGH1E473#C075PH
	68 000	11.5	55.2	7	8	17	0.50	51x115	HCGH1E683#C115PH
	100 000	13.0	62.4	6	7	18	0.60	64x96	HCGH1E104#D096PH
	150 000	14.8	71.0	6	7	18	0.80	64x115	HCGH1E154#D115PH
	220 000	17.0	81.6	4	5	20	1.00	77x115	HCGH1E224#E115PH
330 000	22.9	109.9*	4	5	20	1.00	90x131	HCGH1E334#F131PH	
35 VDC Code: 1V Surge Voltage 44 VDC	6 800	3.0	14.4	42	37	15	0.30	36x53	HCGH1V682#A053PH
	10 000	4.3	20.6	29	31	15	0.30	36x83	HCGH1V103#A083PH
	15 000	5.2	25.0	19	20	15	0.30	36x83	HCGH1V153#A083PH
	22 000	6.3	30.2	14	15	15	0.35	36x100	HCGH1V223#A100PH
	33 000	7.7	37.0	12	13	17	0.40	51x75	HCGH1V333#C075PH
	47 000	9.3	44.6	8	9	17	0.45	51x96	HCGH1V473#C096PH
	68 000	11.5	55.2	7	8	17	0.50	51x115	HCGH1V683#C115PH
	100 000	13.9	66.7	6	7	18	0.60	64x115	HCGH1V104#D115PH
	150 000	15.9	76.3	5	7	20	0.70	77x115	HCGH1V154#E115PH
220 000	20.2	97.0	5	7	20	0.70	90x131	HCGH1V224#F131PH	
50 VDC Code: 1H Surge Voltage 63 VDC	3 300	2.5	12.0	90	80	15	0.20	36x53	HCGH1H332#A053PH
	4 700	3.8	18.2	64	58	15	0.25	36x53	HCGH1H472#A053PH
	6 800	3.9	18.7	44	39	15	0.25	36x83	HCGH1H682#A083PH
	10 000	4.7	22.6	30	28	15	0.25	36x83	HCGH1H103#A083PH
	15 000	5.6	26.9	20	20	15	0.30	36x83	HCGH1H153#A083PH
		5.6	26.9	20	20	15	0.30	36x100	HCGH1H153#A100PH
	22 000	6.9	33.1	14	15	15	0.35	36x100	HCGH1H223#A100PH
		6.8	32.6	14	15	17	0.35	51x75	HCGH1H223#C075PH
33 000	9.0	43.2	13	14	17	0.40	51x115	HCGH1H333#C115PH	

Additional designs on request · Weitere Designs auf Anfrage

HCGH · Screw-Terminal · 6000 h/105 °C

Rated VoltageCode (Surge Voltage) V_r [V DC]	Capacitance C_r [μ F]	Ripple Current at 105°C/120Hz I_r [A RMS]	Ripple Current at 40°C/120Hz [A RMS]	ESR (typ) at 20°C/100Hz [m Ω]	Zmax at 20°C/10kHz [m Ω]	ESL (typ) [nH]	Dissipation Factor at 20°C/120Hz Tan δ	DxL [mm]	Product Code # = variable value, see fixing code in the product code
50 VDC Code: 1H Surge Voltage 63 VDC	47 000	10.9	52.3	11	12	18	0.40	64x96	HCGH1H473#D096PH
	68 000	13.3	63.8	8	9	18	0.45	64x115	HCGH1H683#D115PH
	100 000	16.2	77.8	6	7	20	0.50	77x115	HCGH1H104#E115PH
	140 000	22.4	107.5*	5	8	20	0.50	77x137	HCGH1H144#E137PH
	150 000	21.7	104.2*	5	7	20	0.50	90x131	HCGH1H154#F131PH
63 VDC Code: 1J Surge Voltage 79 VDC	2 200	2.4	11.5	95	87	15	0.15	36x53	HCGH1J222#A053PH
	3 300	2.5	12.0	63	58	15	0.20	36x53	HCGH1J332#A053PH
	4 700	3.6	17.3	54	50	15	0.20	36x83	HCGH1J472#A083PH
	6 800	4.3	20.6	38	35	15	0.20	36x83	HCGH1J682#A083PH
	10 000	5.1	24.5	28	28	15	0.25	36x100	HCGH1J103#A100PH
		5.3	25.4	28	28	17	0.25	51x75	HCGH1J103#C075PH
	15 000	6.6	31.7	21	22	17	0.25	51x75	HCGH1J153#C075PH
	22 000	7.8	37.4	13	14	17	0.30	51x96	HCGH1J223#C096PH
	33 000	10.6	50.9	10	11	18	0.30	64x96	HCGH1J333#D096PH
	47 000	11.3	54.1	8	9	20	0.35	90x77	HCGH1J473#F077PH
		12.5	60.0	8	9	18	0.35	64x115	HCGH1J473#D115PH
	68 000	15.0	72.0	7	8	20	0.40	77x115	HCGH1J683#E115PH
100 000	19.8	95.0	7	8	20	0.40	90x131	HCGH1J104#F131PH	
80 VDC Code: 1K Surge Voltage 100 VDC	2 200	2.4	11.5	68	63	15	0.15	36x53	HCGH1K222#A053PH
	3 300	3.5	16.8	45	42	15	0.15	36x83	HCGH1K332#A083PH
	4 700	4.1	19.7	32	30	15	0.15	36x83	HCGH1K472#A083PH
	6 800	4.6	22.1	22	23	15	0.20	36x100	HCGH1K682#A100PH
	10 000	6.0	28.8	15	16	17	0.20	51x75	HCGH1K103#C075PH
	15 000	7.1	34.1	10	11	17	0.25	51x96	HCGH1K153#C096PH
	22 000	9.4	45.1	9	10	18	0.25	64x96	HCGH1K223#D096PH
	33 000	11.2	53.8	7	7	20	0.30	77x96	HCGH1K333#E096PH
	47 000	14.4	69.1	6	7	20	0.30	77x115	HCGH1K473#E115PH
68 000	18.9	90.7	4	7	20	0.30	90x131	HCGH1K683#F131PH	
100 VDC Code: 2A Surge Voltage 125 VDC	1 000	1.6	7.7	112	100	15	0.15	36x53	HCGH2A102#A053PH
	1 500	2.0	9.6	75	87	15	0.15	36x53	HCGH2A152#A053PH
	2 200	2.9	13.9	51	47	15	0.15	36x83	HCGH2A222#A083PH
	3 300	3.5	16.8	34	32	15	0.15	36x83	HCGH2A332#A083PH
	4 700	4.5	21.6	24	24	15	0.15	36x100	HCGH2A472#A100PH
	6 800	5.8	27.8	19	20	17	0.15	51x75	HCGH2A682#C075PH
	10 000	7.5	36.0	13	14	17	0.15	51x96	HCGH2A103#C096PH
	15 000	8.7	41.8	11	12	18	0.20	64x96	HCGH2A153#D096PH
	22 000	11.2	53.8	8	9	20	0.20	77x96	HCGH2A223#E096PH
	33 000	13.6	65.3	6	7	20	0.25	77x130	HCGH2A333#E130PH
47 000	17.3	83.0	5	7	20	0.25	90x131	HCGH2A473#F131PH	
160 VDC Code: 2C Surge Voltage 200 VDC	470	1.2	5.8	277	261	15	0.15	36x53	HCGH2C471#A053PH
	680	1.3	6.2	191	180	15	0.15	36x53	HCGH2C681#A053PH
	1 000	2.0	9.6	130	120	15	0.15	36x83	HCGH2C102#A083PH
	1 500	2.3	11.0	87	80	15	0.15	36x83	HCGH2C152#A083PH
	2 200	3.1	14.9	59	53	15	0.15	36x100	HCGH2C222#A100PH
	3 300	4.0	19.2	40	35	17	0.15	51x75	HCGH2C332#C075PH

Additional designs on request · Weitere Designs auf Anfrage

Rated VoltageCode (Surge Voltage) V_r [V DC]	Capacitance C_r [μ F]	Ripple Current at 105°C/120Hz I_r [A RMS]	Ripple Current at 40°C/120Hz [A RMS]	ESR (typ) at 20°C/100Hz [m Ω]	Zmax at 20°C/10kHz [m Ω]	ESL (typ) [nH]	Dissipation Factor at 20°C/120Hz Tan δ	DxL [mm]	Product Code # = variable value, see fixing code in the product code
160 VDC Code: 2C Surge Voltage 200 VDC	4 700	4.7	22.6	30	30	17	0.15	51x75	HCGH2C472#C075PH
		5.1	24.5	30	25	17	0.15	51x96	HCGH2C472#C096PH
	6 800	6.8	32.6	22	23	18	0.15	64x96	HCGH2C682#D096PH
		8.7	41.8	15	16	20	0.15	77x96	HCGH2C103#E096PH
	15 000	11.8	56.6	14	14	20	0.15	77x130	HCGH2C153#E130PH
	22 000	15.2	73.0	10	10	20	0.15	90x131	HCGH2C223#F131PH
200 VDC Code: 2D Surge Voltage 250 VDC	330	0.9	4.3	395	372	15	0.15	36x53	HCGH2D331#A053PH
	470	1.2	5.8	277	261	15	0.15	36x53	HCGH2D471#A053PH
	680	1.3	6.2	191	180	15	0.15	36x53	HCGH2D681#A053PH
	1 000	2.0	9.6	120	100	15	0.15	36x83	HCGH2D102#A083PH
	1 500	2.5	12.0	100	85	15	0.15	36x100	HCGH2D152#A100PH
	2 200	3.2	15.4	68	60	17	0.15	51x75	HCGH2D222#C075PH
	3 300	4.3	20.6	45	35	17	0.15	51x96	HCGH2D332#C096PH
	4 700	5.6	26.9	31	27	18	0.15	64x96	HCGH2D472#D096PH
	6 800	7.2	34.6	21	20	18	0.15	64x115	HCGH2D682#D115PH
		8.4	40.3	21	20	20	0.15	77x145	HCGH2D682#E145PH
	10 000	9.3	44.6	14	14	20	0.15	77x115	HCGH2D103#E115PH
		10.2	49.0	14	14	20	0.15	77x145	HCGH2D103#E145PH
15 000	12.5	60.0	10	10	20	0.15	90x131	HCGH2D153#F131PH	
22 000	17.7	85.0	7	7	20	0.15	77x215	HCGH2D223#E215PH	
250 VDC Code: 2E Surge Voltage 300 VDC	330	0.9	4.3	285	268	15	0.15	36x53	HCGH2E331#A053PH
	470	1.2	5.8	200	187	15	0.15	36x53	HCGH2E471#A053PH
	680	1.6	7.7	138	131	15	0.15	36x83	HCGH2E681#A083PH
	1 000	2.2	10.6	84	70	15	0.15	36x100	HCGH2E102#A100PH
	1 500	2.6	12.5	56	50	17	0.15	51x75	HCGH2E152#C075PH
	2 200	3.6	17.3	50	45	17	0.15	51x96	HCGH2E222#C096PH
	3 300	4.8	23.0	36	35	18	0.15	64x96	HCGH2E332#D096PH
	4 700	6.2	29.8	25	23	18	0.15	64x115	HCGH2E472#D115PH
	6 800	7.9	37.9	18	18	20	0.15	77x115	HCGH2E682#E115PH
	10 000	10.7	51.4	13	13	20	0.15	77x155	HCGH2E103#E155PH
15 000	14.0	67.2	9	9	20	0.15	90x157	HCGH2E153#F157PH	
400 VDC Code: 2G Surge Voltage 450 VDC	1 000	2.9	11.0	102	105	17	0.15	51x75	HCGH2G102#C075PH
	1 200	3.5	13.3	85	88	17	0.15	51x96	HCGH2G122#C096PH
	1 500	4.1	15.6	68	70	17	0.15	51x115	HCGH2G152#C115PH
	1 800	4.7	17.9	57	58	17	0.15	51x130	HCGH2G182#C130PH
		4.8	18.2	46	48	17	0.15	51x105	HCGH2G222#C105PH
	2 200	5.2	19.8	46	48	18	0.15	64x96	HCGH2G222#D096PH
		6.1	23.2	38	40	18	0.15	64x115	HCGH2G272#D115PH
	3 300	7.1	27.0	30	32	18	0.15	64x130	HCGH2G332#D130PH
		6.9	26.2	30	32	20	0.15	77x105	HCGH2G332#E105PH
	3 900	8.3	31.5	26	28	18	0.15	64x155	HCGH2G392#D155PH
		7.8	29.6	26	28	20	0.15	77x115	HCGH2G392#E115PH
	4 700	10.0	38.0	21	22	18	0.15	64x195	HCGH2G472#D195PH
9.0		34.2	21	22	20	0.15	77x130	HCGH2G472#E130PH	

Additional designs on request · Weitere Designs auf Anfrage

HCGH · Screw-Terminal · 6000 h/105 °C

Rated VoltageCode (Surge Voltage) V_r [V DC]	Capacitance C_r [μF]	Ripple Current at 105°C/120Hz I_r [A RMS]	Ripple Current at 40°C/120Hz [A RMS]	ESR (typ) at 20°C/100Hz [mΩ]	Zmax at 20°C/10kHz [mΩ]	ESL (typ) [nH]	Dissipation Factor at 20°C/120Hz Tan δ	DxL [mm]	Product Code # = variable value, see fixing code in the product code
400 VDC Code: 2G Surge Voltage 450 VDC	5 600	11.0	41.8	18	19	18	0.15	64x195	HCGH2G562#D195PH
		10.6	40.3	18	19	20	0.15	77x155	HCGH2G562#E155PH
	6 800	11.6	44.1	15	15	20	0.15	77x155	HCGH2G682#E155PH
		12.3	46.7	15	15	20	0.15	90x157	HCGH2G682#F157PH
	8 200	13.2	50.2	12	15	20	0.15	77x171	HCGH2G822#E171PH
		13.6	51.7	12	15	20	0.15	90x157	HCGH2G822#F157PH
	10 000	16.2	61.6	10	15	20	0.15	90x196	HCGH2G103#F196PH
	14 000	19.2	73.0	9	8	20	0.15	90x196	HCGH2G143#F196PH
15 000	19.6	74.5	6	8	20	0.15	90x196	HCGH2G153#F196PH	
450 VDC Code: 2W Surge Voltage 500 VDC	1 500	3.8	14.4	67	70	17	0.15	51x105	HCGH2W152#C105PH
	2 200	5.5	20.9	46	48	20	0.15	77x103	HCGH2W222#E103PH
	4 700	8.9	33.8	24	26	20	0.15	77x144	HCGH2W472#E144PH
	5 600	9.8	37.2	21	22	20	0.15	77x144	HCGH2W562#E144PH
	6 000	10.4	39.3	19	20	20	0.15	77x155	HCGH2W602#E155PH

* Please contact us if load condition exceeds terminals related $I_{r,max}$ referred on page 11

Additional designs on request · Weitere Designs auf Anfrage

> Ripple Current Multiplier · Wechselstrommultiplikator

Frequency [Hz]	50/60	120	300	1k	≥ 10k
Multiplier	0.80	1.00	1.18	1.34	1.45

Ta (°C)	40	45	50	55	60	65	70	75	80	85	90	95	100	105
Multiplier 25-250 VDC	4.8	4.5	4.2	3.8	3.5	3.3	3.0	2.5	2.1	1.8	1.5	1.3	1.1	1.0
Multiplier 400-450 VDC	3.8	3.7	3.6	3.4	3.2	2.9	2.6	2.4	2.2	2.0	1.7	1.4	1.2	1.0

Forced cooling – Wind speed [m/sec]	v < 0.25	v ≥ 0.25	v ≥ 0.5	v ≥ 1.0	v ≥ 2.0	v ≥ 3.0
Multiplier	1.00	1.05	1.10	1.15	1.20	1.25

> Life Time Table · Brauchbarkeitsdauer – Tabelle

HCGH $V_r \leq 250V$	Useful life as function of ambient temperature and ripple current													
I_r at 105°C	x 1.0	x 1.1	x 1.3	x 1.5	x 1.8	x 2.1	x 2.5	x 3.0	x 3.3	x 3.5	x 3.8	x 4.2	x 4.5	x 4.8
$T_a = 40^\circ C$	250	250	250	250	250	250	250	250	250	250	250	250	198	138
$T_a = 45^\circ C$	250	250	250	250	250	250	250	250	250	250	250	175	125	
$T_a = 50^\circ C$	250	250	250	250	250	250	250	250	250	221	166	110		
$T_a = 55^\circ C$	250	250	250	250	250	250	250	212	166	139	105			
$T_a = 60^\circ C$	250	250	250	250	250	241	190	134	105	88				
$T_a = 65^\circ C$	236	230	216	201	177	152	120	84	66					
$T_a = 70^\circ C$	149	145	137	127	112	96	76	53						
$T_a = 75^\circ C$	94	92	86	80	71	61	48							
$T_a = 80^\circ C$	59	58	54	51	44	38								
$T_a = 85^\circ C$	37	36	34	32	28									
$T_a = 90^\circ C$	23	23	21	20										
$T_a = 95^\circ C$	15	14	13											
$T_a = 100^\circ C$	9	9												
$T_a = 105^\circ C$	6													

Max. value limited to 250 000 hours.

HCGH $V_r \geq 400V$	Useful life as function of ambient temperature and ripple current													
I_r at 105°C	x 1.0	x 1.2	x 1.4	x 1.7	x 2.0	x 2.2	x 2.4	x 2.6	x 2.9	x 3.2	x 3.4	x 3.6	x 3.7	x 3.8
$T_a = 40^\circ C$	250	250	250	250	250	250	250	250	250	250	229	168	143	121
$T_a = 45^\circ C$	250	250	250	250	250	250	250	250	250	194	145	106	90	
$T_a = 50^\circ C$	250	250	250	250	250	250	250	250	183	122	91	67		
$T_a = 55^\circ C$	250	250	250	250	250	250	208	167	116	77	58			
$T_a = 60^\circ C$	250	250	250	248	194	161	132	105	73	49				
$T_a = 65^\circ C$	238	216	193	157	123	102	83	66	46					
$T_a = 70^\circ C$	150	136	122	99	77	64	52	42						
$T_a = 75^\circ C$	95	86	77	62	49	40	33							
$T_a = 80^\circ C$	60	54	48	39	31	25								
$T_a = 85^\circ C$	38	34	30	25	19									
$T_a = 90^\circ C$	24	21	19	15										
$T_a = 95^\circ C$	15	13	12											
$T_a = 100^\circ C$	9	8												
$T_a = 105^\circ C$	6													

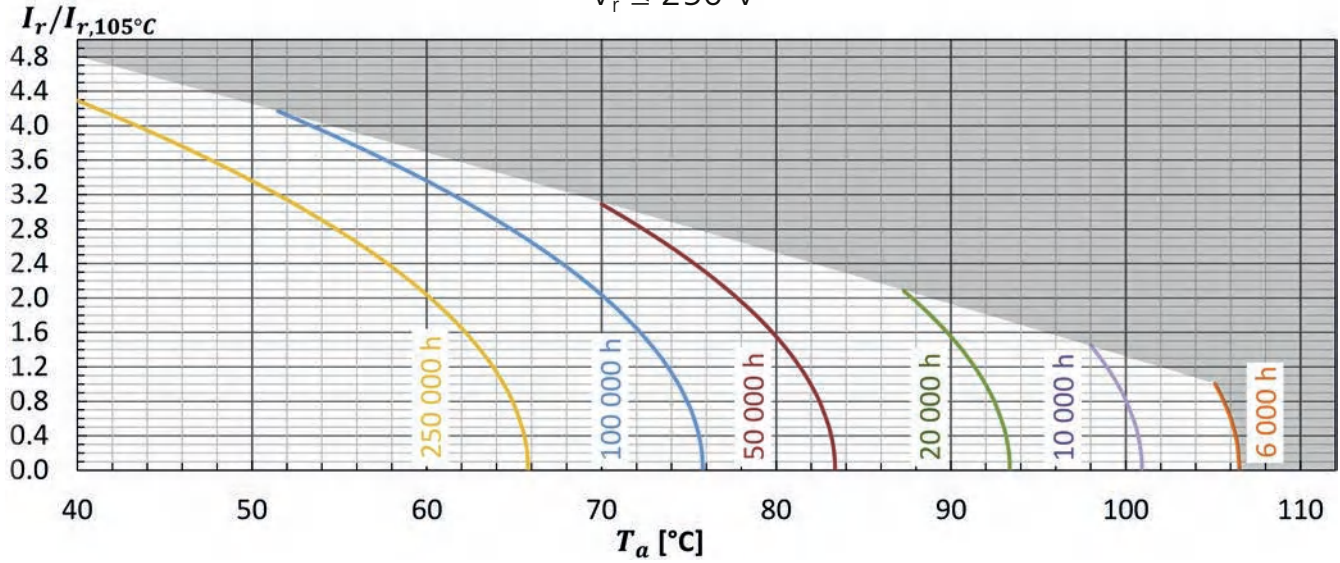
Max. value limited to 250 000 hours.

> Life Time Graph · Brauchbarkeitsdauer – Diagramm

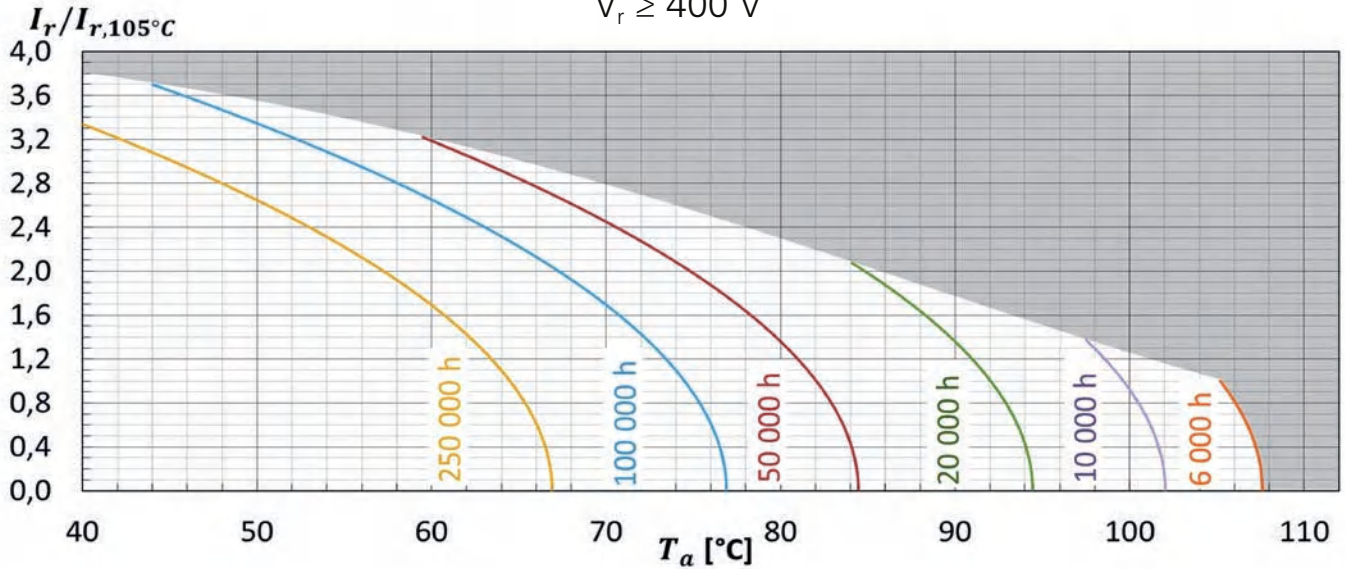
Useful life depending on ambient temperature T_a and ripple current operating conditions I_r versus rated ripple current at the upper category temperature $I_{r, 105^\circ C, 120Hz}$

Brauchbarkeitsdauer in Abhängigkeit von Umgebungstemperatur T_a und Wechselstrombelastung I_r im Verhältnis zur max. Wechselstrombelastung bei oberer Kategorie-temperatur $I_{r, 105^\circ C, 120Hz}$

$V_r \leq 250 \text{ V}$



$V_r \geq 400 \text{ V}$



> Life Time Tests and Requirements · Anforderungen Brauchbarkeitsdauer

Life time test	Test procedure	Life time criteria
Endurance test	$T_a = 105^\circ\text{C}$; V_r, I_r applied 4000 hours	$\Delta C/C \leq 10\%$ (of initial value) $\text{Tan}\delta \leq 175\%$ (of specified value) $I_L \leq \text{specified value}$
Useful life	$T_a = 105^\circ\text{C}$; V_r, I_r applied 6000 hours	$\Delta C/C \leq 15\%$ (of initial value) $\text{Tan}\delta < 200\%$ (of specified value) $I_L \leq \text{specified value}$

Reference Specification: JIS C 5101-4, JIS C 5102, IEC 60384-4

VGR · Screw-Terminal · 6000 h/105 °C

High Ripple Current · Bottom cooling design · Low ESR

> Specifications · Spezifikationen

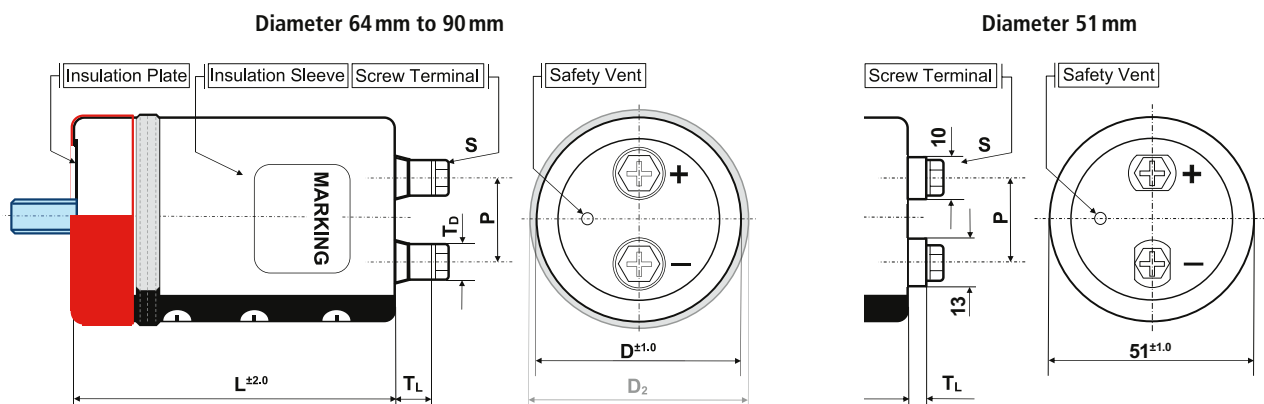
Items	Characteristics
Temperature range	-40°C ~ + 105°C
Capacitance tolerance (at 20°C)	Standard +/- 20%, -10/+30% on request
Surge voltage / Ripple voltage	Repetitive max. 30 sec per 6 Minutes / ≤ 70V
Leakage current max. I_L (20°C, 5 min)	0.01 • C • V_r [μA] or 5 mA, which is smaller.
Useful life	6000 hours at 105°C
Field failure rate	0.5 FIT = 0.5 • 10 ⁻⁹ Failures/hour
Reference standards	IEC 60384-4, JIS C 5101-4
Vibration	0.75mm, 10...55Hz, 10g, 3x2h
Outer materials	UL94-V0/UL224-VW1 certified (cap/sleeve)
Sleeve withstanding voltage	4000 Vac/ 1min between terminals bundled and plate*
Product Compliance	RoHS, REACH, Conflict Minerals a.o. – refer to p. 12–13

* Typical value



> Shape designation · Formbezeichnung

- additional information on p. 10–11 · Zusatzinformationen auf S. 10–11
- mounting accessories from p. 181 · Montagezubehör ab S. 181



Shape code Features	B Bolt	I/Y double sleeve for 2/3 points metal Bracket	N + suffix WC blank bottom + seating ring	N standard
outer insulation sleeve	•	•	•	•
insulation plate	•	•		•
stud bolt	•			
bottom double sleeve		•		
integrated seating ring			•	

diameter code	ØD	available shape	P	S	T _L	T _D	Cap material
C	51	B, N, I, Y	22.0	M5x10	4.5	13/10	PH
D	64	B, N, I, Y	28.6	M5x10	8.0	11	PH
E	77	B, N, I, Y, WC	31.5	M6x12	9.0	12	PH
F	90	B, N, I, Y, WC	31.5	M6x12	8.0	12	PH

Size in mm

> Product Code · Bestellbezeichnung

Example: Series VGR · 12000 µF +/- 20 % · 400 V · D=90 mm · L=190 mm with Y-Bracket

VGR	2G	123	Y	F	190
Series name	Capacitance code	Shape code	Diameter code	Capacitance tolerance	Specific features
Rated voltage code					
Code	Voltage	Code	Voltage	Case length code – length in mm (3 digits)	
2V	350	2W	450	Ø : ± 20 % Q : -10 % ~ +30 %	
2G	400	2H	500		

Rated Voltage Code (Surge Voltage) V _r [V DC]	Capacitance C _r [µF]	Ripple Current at 105°C/120Hz I _r [A RMS]	Ripple Current at 40°C/120Hz [A RMS]	ESR (typ) at 20°C/100Hz [mΩ]	Z _{max} at 20°C/10kHz [mΩ]	ESL (typ) [nH]	Dissipation Factor at 20°C/120Hz Tan δ	DxL [mm]	Product Code # = variable value, see fixing code in the product code	
350 VDC Code: 2V Surge Voltage 400 VDC	1 800	9.1	21.0	30	31	17	0.20	51x96	VGR2V182#C096	
	2 200	10.2	23.5	25	26	17	0.20	51x109	VGR2V222#C109	
	2 700	11.4	26.3	20	21	17	0.20	51x125	VGR2V272#C125	
	3 300	15.1	34.7	16	19	18	0.20	64x107	VGR2V332#D107	
	3 900	16.8	38.6	14	16	18	0.20	64x123	VGR2V392#D123	
	4 700		18.2	41.9	11	13	18	0.20	64x147	VGR2V472#D147
			20.6	47.4	11	13	20	0.20	77x108	VGR2V472#E108
	5 600		20.3	46.7	10	11	18	0.20	64x164	VGR2V562#D164
			23.1	53.1	10	11	20	0.20	77x124	VGR2V562#E124
	6 800		22.6	52.0	8	10	18	0.20	64x187	VGR2V682#D187
			24.9	57.3	8	10	20	0.20	77x148	VGR2V682#E148
	8 200		28.6	65.8	8	10	20	0.20	90x110	VGR2V682#F110
			27.9	64.2	7	8	20	0.20	77x165	VGR2V822#E165
	10 000		31.0	71.3	7	8	20	0.20	90x150	VGR2V822#F150
			31.0	71.3	5	7	20	0.20	77x188	VGR2V103#E188
	12 000		34.2	78.7	5	7	20	0.20	90x150	VGR2V103#F150
		35.1	80.7	5	5	20	0.20	77x228	VGR2V123#E228	
15 000		36.8	84.6	5	5	20	0.20	90x167	VGR2V123#F167	
		41.5	95.5	4	5	20	0.20	90x190	VGR2V153#F190	
18 000		44.3	101.9*	3	4	20	0.20	90x230	VGR2V183#F230	
		48.3	111.1*	3	3	20	0.20	90x268	VGR2V223#F268	
400 VDC Code: 2G Surge Voltage 450 VDC	1 500	8.4	19.4	35	38	17	0.20	51x96	VGR2G152#C096	
	1 800	9.4	21.7	30	32	17	0.20	51x109	VGR2G182#C109	
	2 200	10.6	24.4	24	26	17	0.20	51x125	VGR2G222#C125	
	2 700	13.6	31.3	20	22	18	0.20	64x107	VGR2G272#D107	
	3 300	15.5	35.7	16	18	18	0.20	64x123	VGR2G332#D123	
	3 900		16.5	38.0	14	16	18	0.20	64x147	VGR2G392#D147
			18.8	43.2	14	16	20	0.20	77x108	VGR2G392#E108
	4 700		18.6	42.8	11	13	18	0.20	64x164	VGR2G472#D164
			21.2	48.8	11	13	20	0.20	77x124	VGR2G472#E124
	5 600		20.5	47.2	10	11	18	0.20	64x187	VGR2G562#D187
			22.6	52.0	10	11	20	0.20	77x148	VGR2G562#E148
		26.0	59.8	10	11	20	0.20	90x110	VGR2G562#F110	

Additional designs on request · Weitere Designs auf Anfrage

Rated VoltageCode (Surge Voltage) V_r [V DC]	Capacitance C_r [µF]	Ripple Current at 105°C/120Hz I_r [A RMS]	Ripple Current at 40°C/120Hz [A RMS]	ESR (typ) at 20°C/100Hz [mΩ]	Zmax at 20°C/10kHz [mΩ]	ESL (typ) [nH]	Dissipation Factor at 20°C/120Hz Tan δ	DxL [mm]	Product Code # = variable value, see fixing code in the product code
400 VDC Code: 2G Surge Voltage 450 VDC	6 800	24.9	57.3	8	10	20	0.20	77x148	VGR2G682#E148
		25.4	58.4	8	10	20	0.20	77x165	VGR2G682#E165
		28.6	65.8	8	10	20	0.20	90x93	VGR2G682#F093
		28.2	64.9	8	10	20	0.20	90x150	VGR2G682#F150
	8 200	27.4	63.0	7	8	20	0.20	77x148	VGR2G822#E148
		28.1	64.6	7	8	20	0.20	77x188	VGR2G822#E188
		31.0	71.3	7	8	20	0.20	90x150	VGR2G822#F150
	10 000	32.0	73.6	5	7	20	0.20	77x228	VGR2G103#E228
		33.6	77.3	5	7	20	0.20	90x167	VGR2G103#F167
	12 000	37.1	85.3	5	5	20	0.20	90x190	VGR2G123#F190
		41.4	95.2	4	5	20	0.20	90x190	VGR2G153#F190
	15 000	40.4	92.9	4	5	20	0.20	90x230	VGR2G153#F230
		43.7	100.5*	3	4	20	0.20	90x268	VGR2G183#F268
	450 VDC Code: 2W Surge Voltage 500 VDC	1 200	7.9	18.2	44	47	17	0.20	51x96
9.0			20.7	36	39	17	0.20	51x109	VGR2W152#C109
10.1			23.3	30	33	17	0.20	51x125	VGR2W182#C125
2 200		12.6	29.0	24	27	18	0.20	64x107	VGR2W222#D107
		14.4	33.1	20	22	18	0.20	64x123	VGR2W272#D123
2 700		16.1	37.0	20	22	20	0.20	77x108	VGR2W272#E108
		15.6	35.9	16	18	18	0.20	64x147	VGR2W332#D147
		17.8	41.0	16	18	20	0.20	77x108	VGR2W332#E108
3 300		18.2	41.9	16	18	20	0.20	77x124	VGR2W332#E124
		17.5	40.3	14	16	18	0.20	64x164	VGR2W392#D164
		19.4	44.6	14	16	20	0.20	77x148	VGR2W392#E148
3 900		22.3	51.3	14	16	20	0.20	90x110	VGR2W392#F110
		19.3	44.4	11	13	18	0.20	64x187	VGR2W472#D187
		21.3	49.0	11	13	20	0.20	77x148	VGR2W472#E148
4 700		24.2	55.7	11	13	20	0.20	90x126	VGR2W472#F126
		23.2	53.4	10	11	20	0.20	77x148	VGR2W562#E148
		23.7	54.5	10	11	20	0.20	77x165	VGR2W562#E165
5 600		26.3	60.5	10	11	20	0.20	90x150	VGR2W562#F150
		26.3	60.5	8	10	20	0.20	77x188	VGR2W682#E188
		28.9	66.5	8	10	20	0.20	90x150	VGR2W682#F150
6 800		29.8	68.5	7	8	20	0.20	77x228	VGR2W822#E228
		31.8	73.1	7	8	20	0.20	90x150	VGR2W822#F150
		31.6	72.7	6	7	20	0.20	90x150	VGR2W103#F150
10 000		33.9	78.0	5	6	20	0.20	90x230	VGR2W103#F230
	38.1	87.6	5	7	20	0.20	90x190	VGR2W123#F190	
	41.0	94.3	4	5	20	0.20	90x268	VGR2W153#F268	
500 VDC Code: 2H Surge Voltage 550 VDC	680	4.6	10.6	85	90	17	0.20	51x96	VGR2H681#C096
	820	5.2	12.0	70	74	17	0.20	51x109	VGR2H821#C109
	1 000	5.9	13.6	58	62	17	0.20	51x125	VGR2H102#C125
	1 500	8.4	19.3	38	41	18	0.20	64x107	VGR2H152#D107
	1 800	9.5	21.9	32	36	18	0.20	64x123	VGR2H182#D123

Additional designs on request · Weitere Designs auf Anfrage

VGR · Screw-Terminal · 6000 h/105 °C

Rated VoltageCode (Surge Voltage) V_r [V DC]	Capacitance C_r [μ F]	Ripple Current at 105°C/120Hz I_r [A RMS]	Ripple Current at 40°C/120Hz [A RMS]	ESR (typ) at 20°C/100Hz [m Ω]	Zmax at 20°C/10kHz [m Ω]	ESL (typ) [nH]	Dissipation Factor at 20°C/120Hz Tan δ	DxL [mm]	Product Code # = variable value, see fixing code in the product code
500 VDC Code: 2H Surge Voltage 550 VDC	2 200	10.3	23.7	26	30	18	0.20	64x147	VGR2H222#D147
		11.7	26.9	26	30	20	0.20	77x108	VGR2H222#E108
	2 700	11.8	27.1	22	26	18	0.20	64x187	VGR2H272#D187
		13.3	30.6	22	26	20	0.20	77x124	VGR2H272#E124
	3 300	14.4	33.1	18	21	18	0.20	77x148	VGR2H332#E148
		16.5	38.0	18	21	20	0.20	90x110	VGR2H332#F110
	3 900	15.9	36.6	15	18	20	0.20	77x165	VGR2H392#E165
		17.8	40.9	15	18	20	0.20	90x126	VGR2H392#F126
	4 700	17.6	40.5	13	15	20	0.20	77x188	VGR2H472#E188
		19.4	44.6	13	15	20	0.20	90x150	VGR2H472#F150
	5 600	19.8	45.5	11	13	20	0.20	77x228	VGR2H562#E228
		20.8	47.8	11	13	20	0.20	90x167	VGR2H562#F167
	6 800	23.1	53.1	9	10	20	0.20	90x190	VGR2H682#F190
	8 200	24.7	56.8	8	8	20	0.20	90x230	VGR2H822#F230
	10 000	27.0	62.1	7	7	20	0.20	90x268	VGR2H103#F268

* Please contact us if load condition exceeds terminals related $I_{r,max}$ referred on page 11

Additional designs on request · Weitere Designs auf Anfrage

> Ripple Current Multiplier · Wechselstrommultiplikator

Frequency [Hz]	50/60	120	300	1k	$\geq 10k$
Multiplier	0.80	1.00	1.18	1.34	1.45

Ta (°C)	40	50	60	65	70	75	80	85	90	95	100	105
Multiplier	2.3	2.1	2.0	1.9	1.9	1.8	1.7	1.6	1.4	1.2	1.1	1.0

Forced cooling – Wind speed [m/sec]	v < 0.25	v ≥ 0.25	v ≥ 0.5	v ≥ 1.0	v ≥ 2.0	v ≥ 3.0
Multiplier	1.00	1.07	1.15	1.25	1.30	1.35

> Life Time Table · Brauchbarkeitsdauer – Tabelle

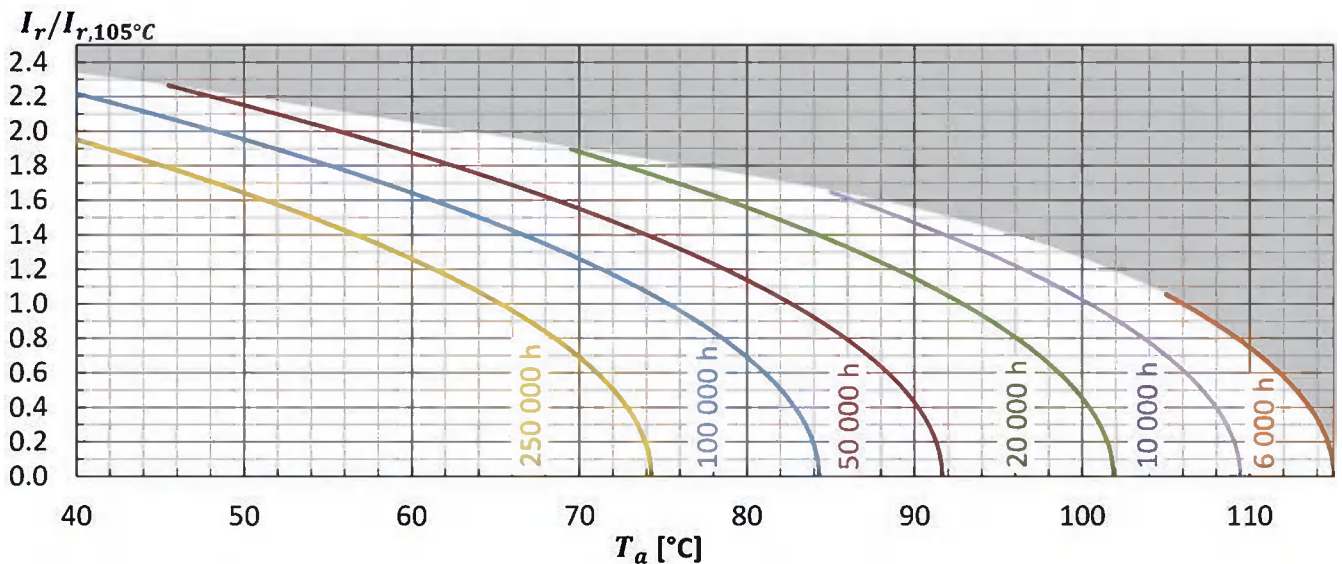
VGR	Useful life as function of ambient temperature and ripple current												
	I_r at 105°C	x 1.0	x 1.1	x 1.2	x 1.4	x 1.6	x 1.7	x 1.8	x 1.9	x 2.0	x 2.1	x 2.2	x 2.3
$T_a = 40^\circ\text{C}$	250	250	250	250	250	250	250	250	250	213	152	106	73
$T_a = 45^\circ\text{C}$	250	250	250	250	250	250	250	250	186	135	96	67	
$T_a = 50^\circ\text{C}$	250	250	250	250	250	250	213	160	117	85	61		
$T_a = 55^\circ\text{C}$	250	250	250	250	177	135	101	74	54	38			
$T_a = 60^\circ\text{C}$	250	250	250	184	112	85	64	47	34				
$T_a = 65^\circ\text{C}$	250	216	178	116	70	54	40	29					
$T_a = 70^\circ\text{C}$	162	136	113	73	44	34	25	18					
$T_a = 75^\circ\text{C}$	102	86	71	46	28	21	16						
$T_a = 80^\circ\text{C}$	64	54	45	29	17	13							
$T_a = 85^\circ\text{C}$	41	34	28	18	11								
$T_a = 90^\circ\text{C}$	25	21	18	11									
$T_a = 95^\circ\text{C}$	16	13	11										
$T_a = 100^\circ\text{C}$	10	8											
$T_a = 105^\circ\text{C}$	6												

Max. value limited to 250 000 hours.

> Life Time Graph · Brauchbarkeitsdauer – Diagramm

Useful life depending on ambient temperature T_a and ripple current operating conditions I_r versus rated ripple current at the upper category temperature $I_r, 105^\circ\text{C}, 120\text{Hz}$

Brauchbarkeitsdauer in Abhängigkeit von Umgebungstemperatur T_a und Wechselstrombelastung I_r im Verhältnis zur max. Wechselstrombelastung bei oberer Kategorie-temperatur $I_r, 105^\circ\text{C}, 120\text{Hz}$



> Life Time Tests and Requirements · Anforderungen Brauchbarkeitsdauer

Life time test	Test procedure	Life time criteria
Endurance test	$T_a = 105^\circ\text{C}$; V_r, I_r applied 4000 hours	$\Delta C/C \leq 10\%$ (of initial value) $\text{Tan}\delta \leq 175\%$ (of specified value) $I_L \leq$ specified value
Useful life	$T_a = 105^\circ\text{C}$; V_r, I_r applied 6000 hours	$\Delta C/C \leq 15\%$ (of initial value) $\text{Tan}\delta < 200\%$ (of specified value) $I_L \leq$ specified value

Reference Specification: JIS C 5101-4, JIS C 5102, IEC 60384-4

VGLR · Screw-Terminal · 12000 h/105 °C

Long Life · High Ripple Current · Bottom cooling design · Low ESR

> Specifications · Spezifikationen

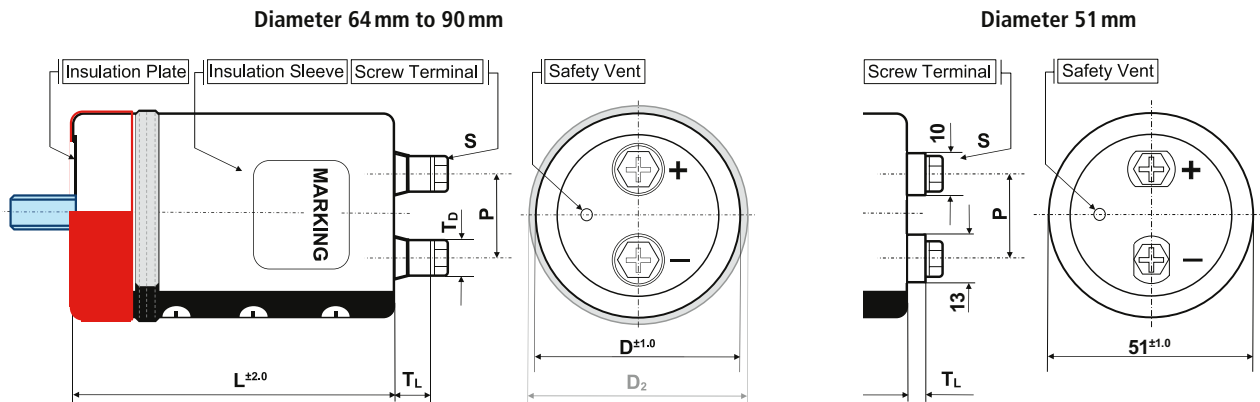
Items	Characteristics
Temperature range	-40°C ~ + 105°C
Capacitance tolerance (at 20°C)	Standard +/- 20%, -10/+30% on request
Surge voltage / Ripple voltage	Repetitive max. 30 sec per 6 Minutes / ≤ 50V
Leakage current max. I _L (20°C, 5 min)	0.01 • C • V, [μA] or 5 mA, which is smaller.
Useful life	12000 hours at 105°C
Field failure rate	0.5 FIT = 0.5 • 10 ⁻⁹ Failures/hour
Reference standards	IEC 60384-4, JIS C 5101-4
Vibration	0.75mm, 10...55Hz, 10g, 3x2h
Outer materials	UL94-V0/UL224-VW1 certified (cap/sleeve)
Sleeve withstanding voltage	4000 Vac/1min between terminals bundled and plate*
Product Compliance	RoHS, REACH, Conflict Minerals a.o. – refer to p. 12–13

* Typical value



> Shape designation · Formbezeichnung

- additional information on p. 10–11 · Zusatzinformationen auf S. 10–11
- mounting accessories from p. 181 · Montagezubehör ab S. 181



Shape code Features	B Bolt	I/Y double sleeve for 2/3 points metal Bracket	N + suffix WC blank bottom + seating ring	N standard
outer insulation sleeve	•	•	•	•
insulation plate	•	•		•
stud bolt	•			
bottom double sleeve		•		
integrated seating ring			•	

diameter code	ØD	available shape	P	S	T _L	T _D	Cap material
C	51	B, N, I, Y	22.0	M5x10	4.5	13/10	PH
D	64	B, N, I, Y	28.6	M5x10	8.0	11	PH
E	77	B, N, I, Y, WC	31.5	M6x12	9.0	12	PH
F	90	B, N, I, Y, WC	31.5	M6x12	8.0	12	PH

Size in mm

> Product Code · Bestellbezeichnung

Example: Series VGLR · 12000 µF +/- 20 % · 400 V · D=90 mm · L= 190 mm for bottom cooling

VGLR	2G	123	N	F	190	WC
Series name	Capacitance code	Shape code	Diameter code	Capacitance tolerance	Specific features	
Rated voltage code				Ø : ± 20 %		Case length code – length in mm (3 digits)
Q : -10 % ~ +30 %						
Code	Voltage	Code	Voltage			
2V	350	2W	450			
2G	400	2H	500			

Rated Voltage Code (Surge Voltage) V _r [V DC]	Capacitance C _r [µF]	Ripple Current at 105°C/120Hz I _r [A RMS]	Ripple Current at 40°C/120Hz [A RMS]	ESR (typ) at 20°C/100Hz [mΩ]	Z _{max} at 20°C/10kHz [mΩ]	ESL (typ) [nH]	Dissipation Factor at 20°C/120Hz Tan δ	DxL [mm]	Product Code # = variable value, see fixing code in the product code	
350 VDC Code: 2V Surge Voltage 400 VDC	1 800	9.1	21.0	30	31	17	0.20	51x96	VGLR2V182#C096	
	2 200	10.2	23.5	25	26	17	0.20	51x109	VGLR2V222#C109	
	2 700	11.4	26.3	20	21	17	0.20	51x125	VGLR2V272#C125	
	3 300	3 300	15.1	34.7	16	19	18	0.20	64x107	VGLR2V332#D107
			16.8	38.6	14	16	18	0.20	64x123	VGLR2V392#D123
	4 700	4 700	18.2	41.9	11	13	18	0.20	64x147	VGLR2V472#D147
			20.6	47.4	11	13	20	0.20	77x108	VGLR2V472#E108
	5 600	5 600	20.3	46.7	10	11	18	0.20	64x164	VGLR2V562#D164
			23.1	53.1	10	11	20	0.20	77x124	VGLR2V562#E124
	6 800	6 800	22.6	52.0	8	10	18	0.20	64x187	VGLR2V682#D187
			24.9	57.3	8	10	20	0.20	77x148	VGLR2V682#E148
	8 200	8 200	28.6	65.8	8	10	20	0.20	90x110	VGLR2V682#F110
			27.9	64.2	7	8	20	0.20	77x165	VGLR2V822#E165
	10 000	10 000	31.0	71.3	7	8	20	0.20	90x150	VGLR2V822#F150
			31.0	71.3	5	7	20	0.20	77x188	VGLR2V103#E188
	12 000	12 000	34.2	78.7	5	7	20	0.20	90x150	VGLR2V103#F150
35.1			80.7	5	5	20	0.20	77x228	VGLR2V123#E228	
15 000	15 000	36.8	84.6	5	5	20	0.20	90x167	VGLR2V123#F167	
		41.5	95.5	4	5	20	0.20	90x190	VGLR2V153#F190	
18 000	18 000	44.3	101.9*	3	4	20	0.20	90x230	VGLR2V183#F230	
22 000	22 000	48.3	111.1*	3	3	20	0.20	90x268	VGLR2V223#F268	
400 VDC Code: 2G Surge Voltage 450 VDC	1 500	8.4	19.4	35	38	17	0.20	51x96	VGLR2G152#C096	
	1 800	9.4	21.7	30	32	17	0.20	51x109	VGLR2G182#C109	
	2 200	10.6	24.4	24	26	17	0.20	51x125	VGLR2G222#C125	
	2 700	13.6	31.3	20	22	18	0.20	64x107	VGLR2G272#D107	
	3 300	3 300	15.5	35.7	16	18	18	0.20	64x123	VGLR2G332#D123
			16.5	38.0	14	16	18	0.20	64x147	VGLR2G392#D147
	3 900	3 900	18.8	43.2	14	16	20	0.20	77x108	VGLR2G392#E108
			18.6	42.8	11	13	18	0.20	64x164	VGLR2G472#D164
	4 700	4 700	21.2	48.8	11	13	20	0.20	77x124	VGLR2G472#E124
			20.5	47.2	10	11	18	0.20	64x187	VGLR2G562#D187
5 600	5 600	23.1	53.1	10	11	20	0.20	77x124	VGLR2G562#E124	

Additional designs on request · Weitere Designs auf Anfrage

VGLR · Screw-Terminal · 12000 h/105 °C

Rated VoltageCode (Surge Voltage) V_r [V DC]	Capacitance C_r [μ F]	Ripple Current at 105°C/120Hz I_r [A RMS]	Ripple Current at 40°C/120Hz [A RMS]	ESR (typ) at 20°C/100Hz [m Ω]	Zmax at 20°C/10kHz [m Ω]	ESL (typ) [nH]	Dissipation Factor at 20°C/120Hz Tan δ	DxL [mm]	Product Code # = variable value, see fixing code in the product code
400 VDC Code: 2G Surge Voltage 450 VDC	5 600	26.0	59.8	10	11	20	0.20	90x110	VGLR2G562#F110
	6 800	24.9	57.3	8	10	20	0.20	77x148	VGLR2G682#E148
		25.4	58.4	8	10	20	0.20	77x165	VGLR2G682#E165
		28.2	64.9	8	10	20	0.20	90x150	VGLR2G682#F150
	8 200	28.1	64.6	7	8	20	0.20	77x188	VGLR2G822#E188
		31.0	71.3	7	8	20	0.20	90x150	VGLR2G822#F150
	10 000	32.0	73.6	5	7	20	0.20	77x228	VGLR2G103#E228
		33.6	77.3	5	7	20	0.20	90x167	VGLR2G103#F167
	12 000	37.1	85.3	5	5	20	0.20	90x190	VGLR2G123#F190
	15 000	41.4	95.2	4	5	20	0.20	90x190	VGLR2G153#F190
40.4		92.9	4	5	20	0.20	90x230	VGLR2G153#F230	
18 000	43.7	105.0*	3	4	20	0.20	90x268	VGLR2G183#F268	
450 VDC Code: 2W Surge Voltage 500 VDC	1 200	7.9	18.2	44	47	17	0.20	51x96	VGLR2W122#C096
	1 500	9.0	20.7	36	39	17	0.20	51x109	VGLR2W152#C109
	1 800	10.1	23.3	30	33	17	0.20	51x125	VGLR2W182#C125
	2 200	12.6	29.0	24	27	18	0.20	64x107	VGLR2W222#D107
		14.9	34.3	24	27	18	0.20	77x77	VGLR2W222#E077
	2 700	14.4	33.1	20	22	18	0.20	64x123	VGLR2W272#D123
		16.1	37.0	20	22	20	0.20	77x108	VGLR2W272#E108
	3 300	15.6	35.9	16	18	18	0.20	64x147	VGLR2W332#D147
		18.5	42.6	16	18	20	0.20	77x108	VGLR2W332#E108
		18.2	41.9	16	18	20	0.20	77x124	VGLR2W332#E124
	3 900	17.5	40.3	14	16	18	0.20	64x164	VGLR2W392#D164
		19.4	44.6	14	16	20	0.20	77x148	VGLR2W392#E148
		22.3	51.3	14	16	20	0.20	90x110	VGLR2W392#F110
	4 700	19.3	44.4	11	13	18	0.20	64x187	VGLR2W472#D187
		21.3	49.0	11	13	20	0.20	77x148	VGLR2W472#E148
		24.2	55.7	11	13	20	0.20	90x126	VGLR2W472#F126
	5 600	23.2	53.4	10	11	20	0.20	77x148	VGLR2W562#E148
		23.7	54.5	10	11	20	0.20	77x165	VGLR2W562#E165
		26.3	60.5	10	11	20	0.20	90x150	VGLR2W562#F150
	6 800	26.3	60.5	8	10	20	0.20	77x188	VGLR2W682#E188
28.9		66.5	8	10	20	0.20	90x150	VGLR2W682#F150	
8 200	29.8	68.5	7	8	20	0.20	77x228	VGLR2W822#E228	
	31.5	72.5	7	8	20	0.20	90x190	VGLR2W822#F190	
10 000	33.9	78.0	5	6	20	0.20	90x230	VGLR2W103#F230	
15 000	41.0	94.3	4	5	20	0.20	90x268	VGLR2W153#F268	
500 VDC Code: 2H Surge Voltage 550 VDC	680	4.6	10.6	85	90	17	0.20	51x96	VGLR2H681#C096
	820	5.2	12.0	70	74	17	0.20	51x109	VGLR2H821#C109
	1 000	5.9	13.6	58	62	17	0.20	51x125	VGLR2H102#C125
	1 500	8.4	19.3	38	41	18	0.20	64x107	VGLR2H152#D107
	1 800	9.5	21.9	32	36	18	0.20	64x123	VGLR2H182#D123
	2 200	10.3	23.7	26	30	18	0.20	64x147	VGLR2H222#D147
		11.7	26.9	26	30	20	0.20	77x108	VGLR2H222#E108

Additional designs on request · Weitere Designs auf Anfrage

Rated VoltageCode (Surge Voltage) V_r [V DC]	Capacitance C_r [μ F]	Ripple Current at 105°C/120Hz I_r [A RMS]	Ripple Current at 40°C/120Hz [A RMS]	ESR (typ) at 20°C/100Hz [m Ω]	Zmax at 20°C/10kHz [m Ω]	ESL (typ) [nH]	Dissipation Factor at 20°C/120Hz Tan δ	DxL [mm]	Product Code # = variable value, see fixing code in the product code
500 VDC Code: 2H Surge Voltage 550 VDC	2 700	11.8	27.1	22	26	18	0.20	64x187	VGLR2H272#D187
		13.3	30.6	22	26	20	0.20	77x124	VGLR2H272#E124
	3 300	14.4	33.1	18	21	18	0.20	77x148	VGLR2H332#E148
		16.5	38.0	18	21	20	0.20	90x110	VGLR2H332#F110
	3 900	15.9	36.6	15	16	20	0.20	77x165	VGLR2H392#E165
		17.8	40.9	15	16	20	0.20	90x126	VGLR2H392#F126
	4 700	17.6	40.5	13	13	20	0.20	77x188	VGLR2H472#E188
		19.4	44.6	13	13	20	0.20	90x150	VGLR2H472#F150
	5 600	19.8	45.5	11	11	20	0.20	77x228	VGLR2H562#E228
		21.1	48.5	11	11	20	0.20	90x150	VGLR2H562#F150
	6 800	23.1	53.1	9	11	20	0.20	90x190	VGLR2H682#F190
	7 500	24.2	55.7	9	10	20	0.20	90x190	VGLR2H752#F190
	8 200	24.7	56.8	8	9	20	0.20	90x230	VGLR2H822#F230
	10 000	27.0	62.1	7	7	20	0.20	90x268	VGLR2H103#F268

* Please contact us if load condition exceeds terminals related $I_{r,max}$ referred on page 11

Additional designs on request · Weitere Designs auf Anfrage

> Ripple Current Multiplier · Wechselstrommultiplikator

Frequency [Hz]	50/60	120	300	1k	$\geq 10k$
Multiplier	0.80	1.00	1.18	1.34	1.45

Ta (°C)	40	50	60	65	70	75	80	85	90	95	100	105
Multiplier	2.3	2.1	2.0	1.9	1.9	1.8	1.7	1.6	1.4	1.2	1.1	1.0

Forced cooling – Wind speed [m/sec]	v < 0.25	v ≥ 0.25	v ≥ 0.5	v ≥ 1.0	v ≥ 2.0	v ≥ 3.0
Multiplier	1.00	1.07	1.15	1.25	1.30	1.35

> Life Time Table · Brauchbarkeitsdauer – Tabelle

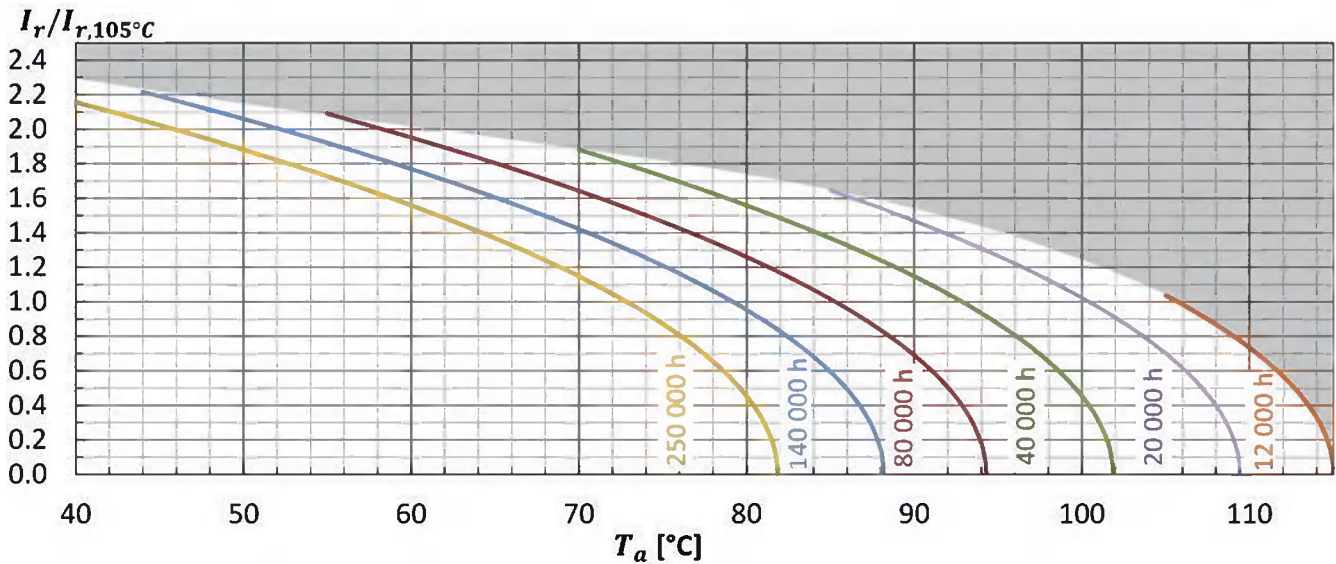
VGLR	Useful life as function of ambient temperature and ripple current											
I_r at 105°C	x 1.0	x 1.1	x 1.2	x 1.4	x 1.6	x 1.7	x 1.8	x 1.9	x 2.0	x 2.1	x 2.2	x 2.3
T _a = 40°C	250	250	250	250	250	250	250	250	250	250	213	147
T _a = 45°C	250	250	250	250	250	250	250	250	250	192	135	
T _a = 50°C	250	250	250	250	250	250	250	235	171	122		
T _a = 55°C	250	250	250	250	250	250	202	149	108	77		
T _a = 60°C	250	250	250	250	224	170	128	94	68			
T _a = 65°C	250	250	250	232	141	108	81	59				
T _a = 70°C	250	250	226	147	89	68	51	37				
T _a = 75°C	205	172	142	93	56	43	32					
T _a = 80°C	129	109	90	58	35	27						
T _a = 85°C	82	69	57	37	22							
T _a = 90°C	51	43	36	23								
T _a = 95°C	32	27	22									
T _a = 100°C	20	17										
T _a = 105°C	12											

Max. value limited to 250 000 hours.

> Life Time Graph · Brauchbarkeitsdauer – Diagramm

Useful life depending on ambient temperature T_a and ripple current operating conditions I_r versus rated ripple current at the upper category temperature $I_{r, 105^\circ\text{C}, 120\text{Hz}}$

Brauchbarkeitsdauer in Abhängigkeit von Umgebungstemperatur T_a und Wechselstrombelastung I_r im Verhältnis zur max. Wechselstrombelastung bei oberer Kategorie-temperatur $I_{r, 105^\circ\text{C}, 120\text{Hz}}$



> Life Time Tests and Requirements · Anforderungen Brauchbarkeitsdauer

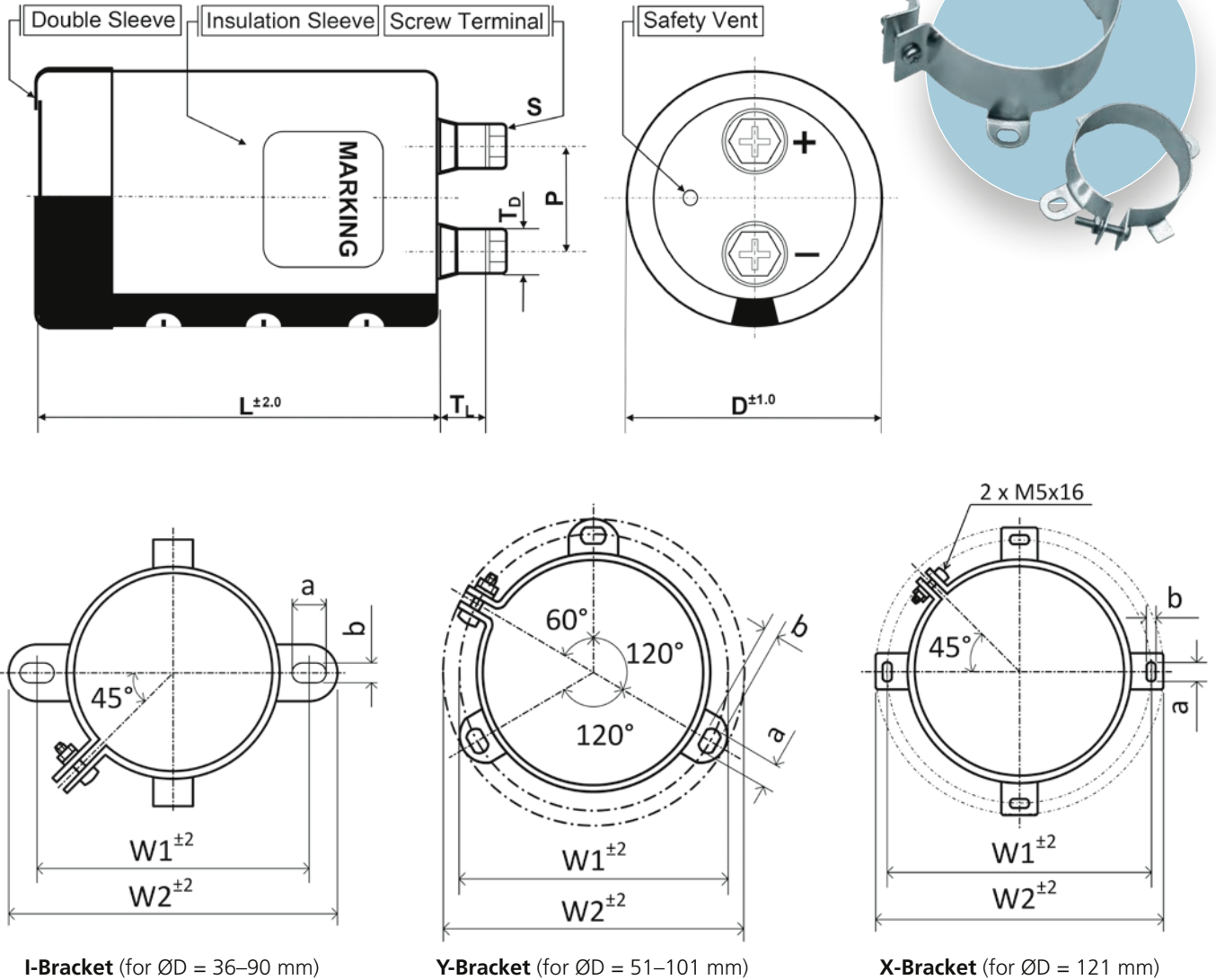
Life time test	Test procedure	Life time criteria
Endurance test	$T_a = 105^\circ\text{C}$; V_r, I_r applied 8000 hours	$\Delta C/C \leq 10\%$ (of initial value) $\text{Tan}\delta \leq 175\%$ (of specified value) $I_L \leq$ specified value
Useful life	$T_a = 105^\circ\text{C}$; V_r, I_r applied 12000 hours	$\Delta C/C \leq 15\%$ (of initial value) $\text{Tan}\delta < 200\%$ (of specified value) $I_L \leq$ specified value

Reference Specification: JIS C 5101-4, JIS C 5102, IEC 60384-4

Mounting · Befestigung

> Bracket mounting · Schellenbefestigung

Capacitor fixing symbol code „Y“, „I“ or „X“



For bracket mounting there is free of charge delivery of a metal bracket including capacitor.

Bei Schellenbefestigung wird die Metallschelle kostenlos mit dem Kondensator geliefert.

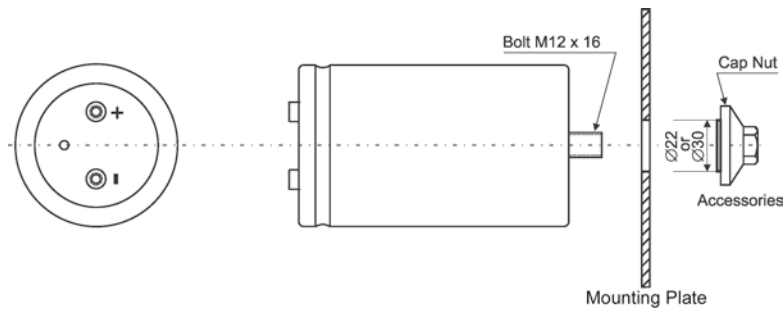
> Case size & dimensions · Bauformen

Capacitor	I-Bracket				Y-Bracket				X-Bracket			
ØD	W1	W2	a	b	W1	W2	a	b	W1	W2	a	b
36	48.0	58.0	6.0	3.5								
51	68.0	80.0	6.0	4.5	63.5	73.0	7.0	4.5				
64	81.0	93.0	6.0	4.5	76.2	85.1	7.0	4.5				
77	93.5	106.0	6.0	4.5	88.9	98.4	7.0	4.5				
90	108.0	120.5	7.0	5.0	101.6	111.1	7.0	4.5				
101					115.0	127.0	8.0	5.5				
121									145.0	158.0	8.0	6.0

Size in mm

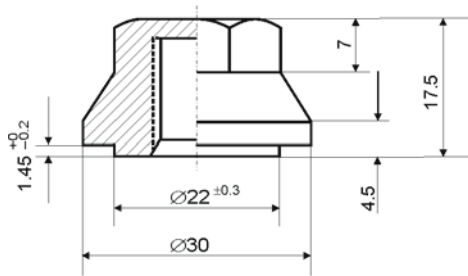
> Stud bolt mounting accessories · Zubehör Bolzenbefestigung

Capacitor fixing symbol code „B“

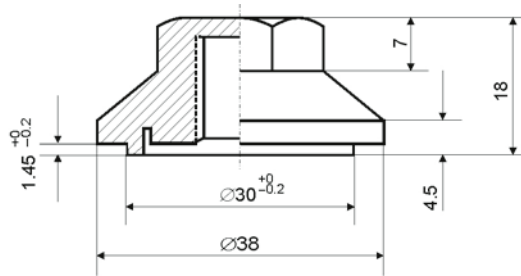


> Reinforced cap nut of nylon for screw-thread M12

Verstärkte Hutmutter aus Nylon für Gewinde M12



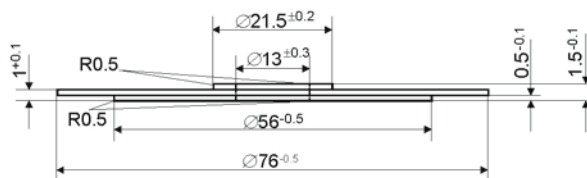
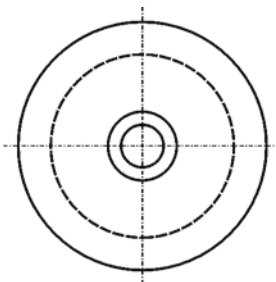
Product Code: **CNN30M12** (Ø 30mm)



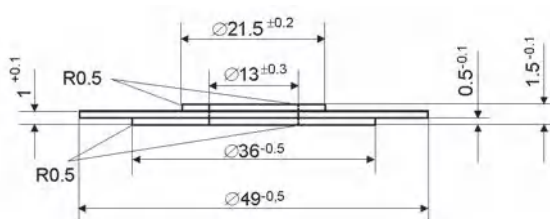
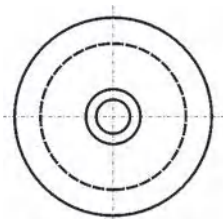
Product Code: **CNN38M12** (Ø 38mm)

> Insulating washer of Polypropylene PPH

Isolierscheibe aus Polypropylene PPH



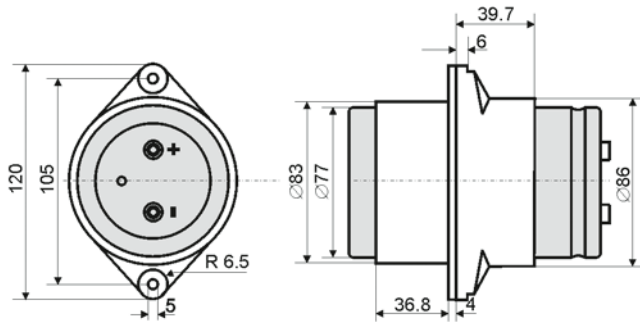
Product Code: **K500 – ISO – 77 – 13** (for capacitor ØD = 77mm and ØD = 90mm)



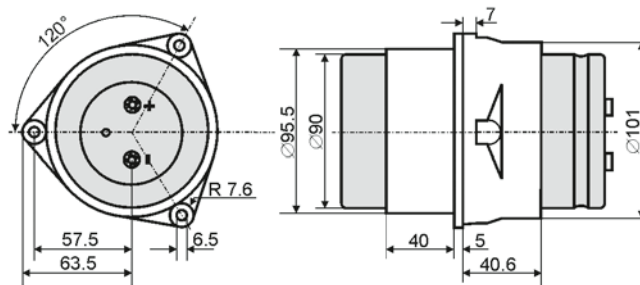
Product Code: **K500 – ISO – 49 – 13** (for capacitor ØD = 51mm and ØD = 64mm)

> Safety-Holder of PBT · Sicherheitshalter aus PBT

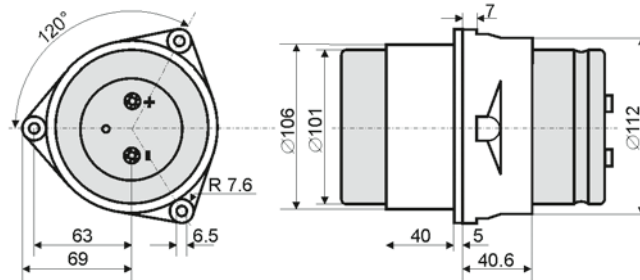
Capacitor fixing symbol code „N“



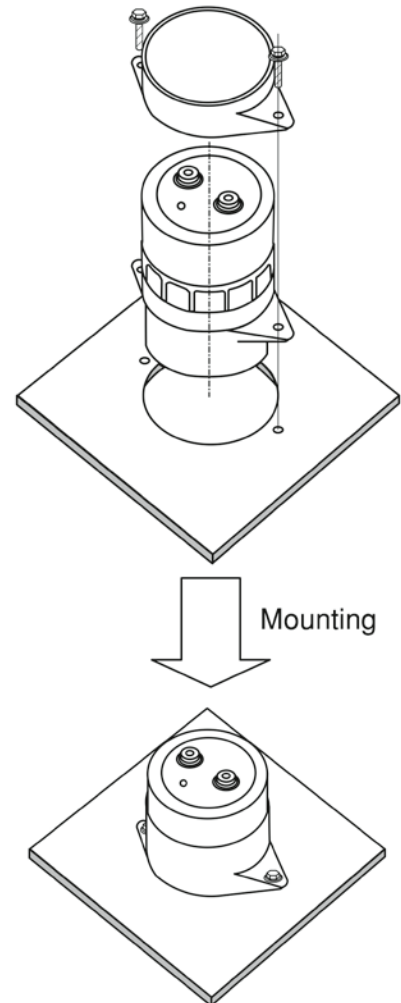
Product Code: **PBT – 77 – BF** (for capacitor ØD = 77mm)



Product Code: **PBT – 90 – BF** (for capacitor ØD = 90mm)



Product Code: **PBT – 101** (for capacitor ØD = 101mm)

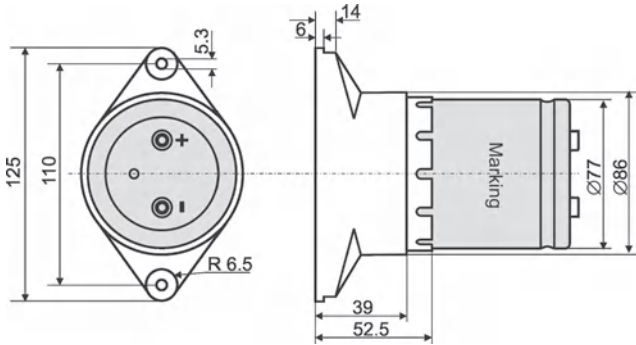


> Features of Safety-Holders · Eigenschaften der Sicherheitshalter

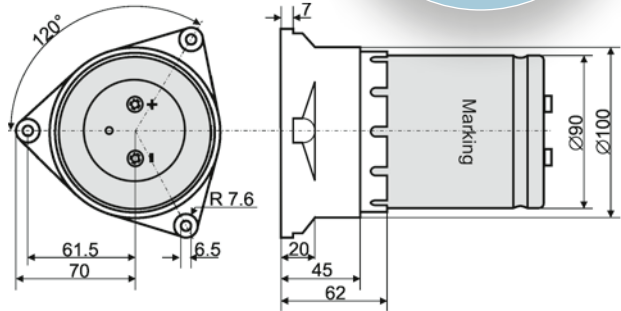
- > Better insulation and vibration characteristics compared with metal brackets.
- > Flammability: UL94-V0.
- > Test insulation voltage: 5.4 kV AC.
- > Bessere Isolations- und Vibrationsfestigkeit gegenüber Metallschellen.
- > Entflammbarkeit gem. UL94-V0.
- > Prüfisolationsspannung: 5,4 kV AC.

> Safety-Holder of PBT for bottom cooling Sicherheitshalter aus PBT für Bodenkühlung

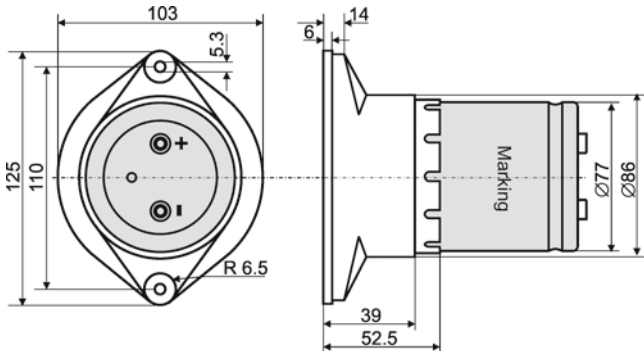
Capacitor fixing symbol code „N“ in addition with „WC“
for all VF- and VG-series



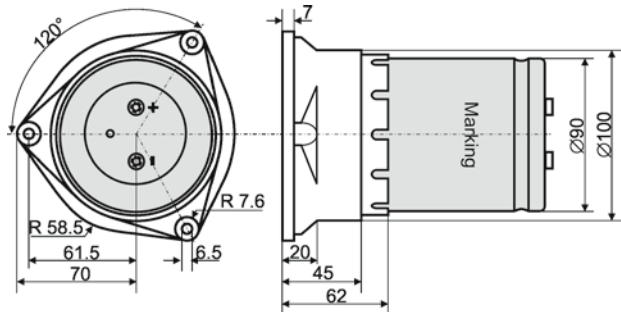
Product Code: **PBT – 77 – BC** (for capacitor ØD = 77mm)



Product Code: **PBT – 90 – BC** (for capacitor ØD = 90mm)

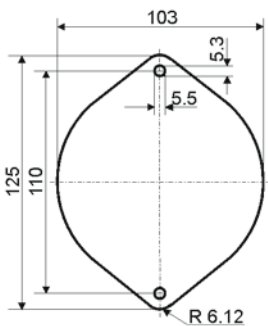


Product Code: **PBT – 77 – BC – UL**
(for capacitor ØD = 77mm,
meets creepage distance requirements according to UL)

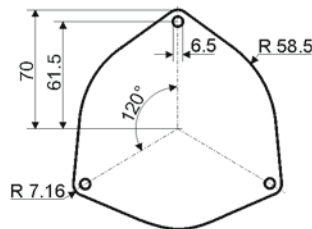


Product Code: **PBT – 90 – BC – UL**
(for capacitor ØD = 90mm,
meets creepage distance requirements according to UL)

> Insulating heat conductive thermal pad for bottom cooling Isolierende Wärmeleitfolie für Bodenkühlung



Product Code: **PBT – TCFOIL – 77**
(for capacitor ØD = 77mm)



Product Code: **PBT – TCFOIL – 90**
(for capacitor ØD = 90mm)

> Features of thermal pad · Eigenschaften der Wärmeleitfolie

Properties	
Thickness (mm)	0.229
Hardness (Shore A)	92
Continuous Use Temperature (°C)	-60 to +180
Dielectric Breakdown Voltage (V _{AC})	5500
Thermal Conductivity (W/m-K)	1.6

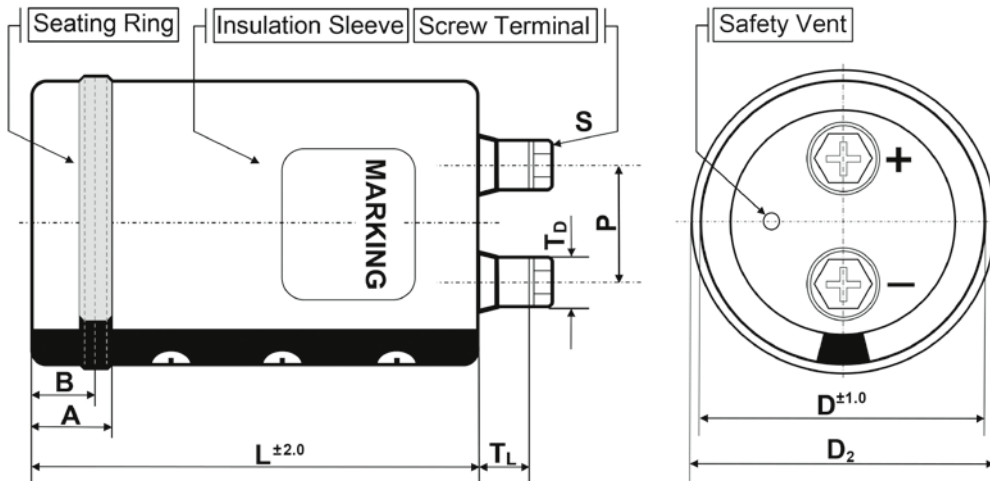
Thermal Performance vs Pressure					
Pressure (psi)	10	25	50	100	200
TO-220 Thermal Performance (°C/W)	3.96	3.41	2.90	2.53	2.32
Thermal Impedance (°C-in ² /W) (I)	0.95	0.75	0.61	0.47	0.41

Above data are values from material supplier. · Daten sind Werte des Materialherstellers.

> Dimensions of capacitor for bottom cooling

Abmessungen für Kondensator mit Bodenkühlung

Capacitor fixing symbol code „N“ in addition with suffix „WC“ for all VF- and VG-series



Ø Capacitor	A	B	D ₂
ØD = 77 mm	24.5	20.0 ^{+0.2}	78.6 ^{+0.5}
ØD = 90 mm	24.3	20.0 ^{+0.5}	91.9 ^{+0.5}

Size in mm. Other dimensions depending on capacitor.

> Ripple Current Multiplier depending on Forced Bottom Cooling

Wechselstrommultiplikator in Anhängigkeit von Bodenkühlung

Capacitor series	Temperature of cooling base	Multiplier max.
VFR, VFLR, VGR, VGLR	≤ 60°C	up to 1.75*
	> 60°C	1.00

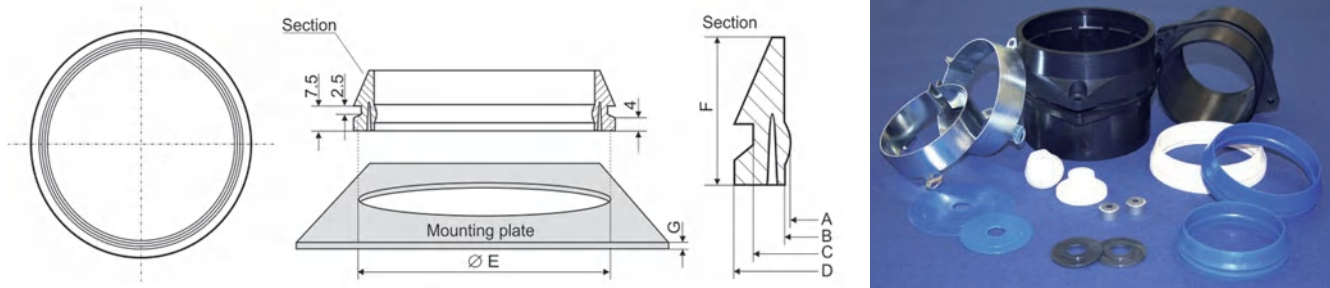
* I_{RMS} depending on cooling capacity (0.5 °C/W)

Please contact us if you are interested in bottom cooling applications. · Bitte kontaktieren Sie uns bei Interesse an einer Anwendung mit Bodenkühlung.

> Press ring of LDPE or TPE for mounting

Einpressring aus LDPE oder TPE zur Befestigung

Capacitor fixing symbol code „N“



Ø Capacitor	A ^{+0.3}	B ^{+0.3}	C ^{+0.3}	D ^{+0.3}	E ^{+0.2}	F ^{+0.2}	G ^{-0.25}	Product Code Agree with RoHS
64	62.3	64.1	70.5	74.5	71.2	18.0	3.0	K100 – 64 – BF
77	74.8	77.0	84.5	88.6	85.5	20.0	2.4	K100 – 77
90	88.0	90.0	97.9	102.0	98.6	23.5	3.0	K100 – 90 – BF

Press ring materials which agree with UL-94-V0 are available on request. / Size in mm

> Tightening torques for mounting options

Anzugsdrehmomente für Befestigungen

Mounting option	Screw	Tightening torque	
		Recommended	Max
Bracket		2.2 Nm	3.0 Nm
PBT-77-BF, PBT-77-BC / -UL	M4x20	1.7 Nm	1.9 Nm
PBT-90-BF, PBT-90-BC / -UL	M5x25	3.2 Nm	3.4 Nm
PBT-101	M5x25	3.2 Nm	3.4 Nm
Stud Bolt	M12x16	10.0 Nm	12.5 Nm*
Stud Bolt	M8x10	3.0 Nm	3.5 Nm

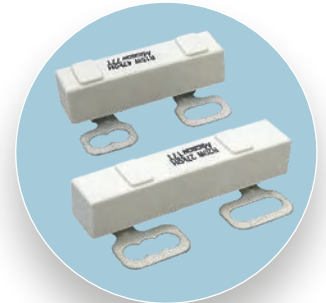
* This value signifies the strength of the bolt. The torque applied to the cap nuts of nylon (Product Code CNN30M12 or CNN38M12) depend on the size of the cap nut and the thickness of mounting plate.

Accessories · Zubehör

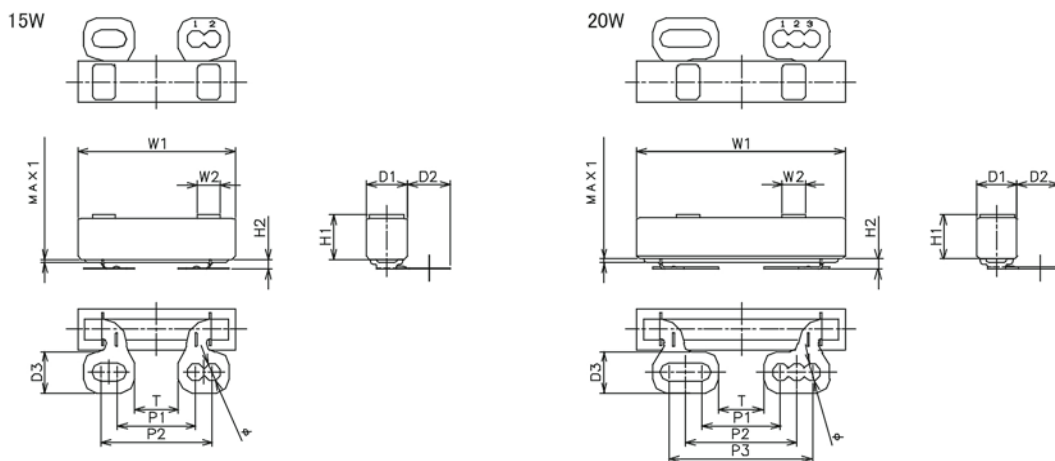
Balancing Resistors · Symmetriewiderstände · CDR Series

> Type, Rated Power, Resistance, Tolerance · Type, Leistung, Widerstand, Toleranz

TYPE	CDR07N	CDR15N	CDR15L	CDR20N	CDR20L
Capacitor terminal screw	M5	M5	M6	M5	M6
Hole diameter (mm)	5.4±0.4	5.4±0.3	6.5±0.3	5.4±0.3	6.5±0.3
Pitch dimensions of capacitor (mm)	27.5±1 to 32.0±1	26.0±1 to 32.0±1		26.0±1 to 41.5±1	
Rated Power	7W (max. voltage 450V DC)	15W (max. voltage 700V DC)		20W (max. voltage 750V DC)	
Resistance Range	200Ω ~ 63kΩ	510Ω ~ 200kΩ		510Ω ~ 240kΩ	
Tolerance	± 10% (K), ± 5% (J), ± 3% (H)				
Resistor Element	metal oxide film resistor				



> Shape · Bauform



> Rated Power, Dimensions · Leistung, Abmessungen

Rated power (W)		Dimensions (mm)										
		H1	H2	W1	W2	D1	D2	D3	P1	P2	P3	T
07	N	9.5±1.5	1.0±1.0	35.0±1.5	—	9.5±1.2	14.0±1.2	9.5	27.5±1.0	32.6±1.0	—	16.0±1.0
15	N	13.5±1.5	3.0±1.0	48.0±1.5	7.0±0.5	12.5±1.2	13.0±1.2	12.5	24.0±1.0	34.0±1.0	—	13.5±1.0
15	L	13.5±1.5	3.0±1.0	48.0±1.5	7.0±0.5	12.5±1.2	13.0±1.2	12.5	24.0±1.0	34.0±1.0	—	13.5±1.0
20	N	13.5±1.5	3.0±1.0	63.5±1.5	7.0±0.5	12.5±1.2	13.0±1.2	12.5	24.0±1.0	33.75±1.0	43.5±1.0	13.5±1.0
20	L	13.5±1.5	3.0±1.0	63.5±1.5	7.0±0.5	12.5±1.2	13.0±1.2	12.5	24.0±1.0	33.75±1.0	43.5±1.0	13.5±1.0

> Product Code

Example: Series CDR

CDR 15L

Element Identification Code
(Please refer to table above)

473

Nominal Resistance
(Res. value = 47x10³ Ω)

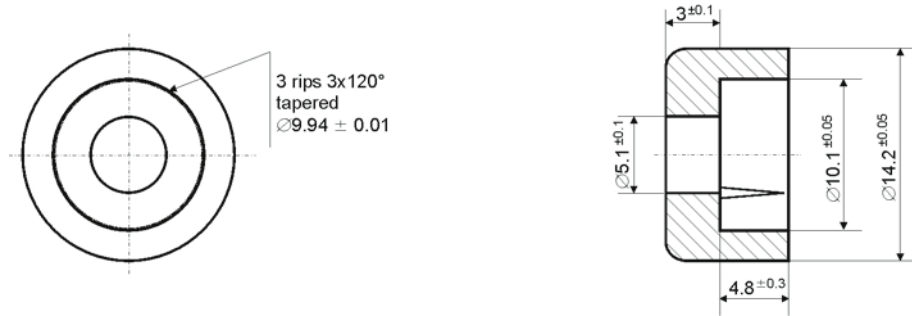
H

Tolerance

Standard-Typen (Other values on request · Andere Werte auf Anfrage): CDR15L123H CDR15L473H CDR20L273H

> Spacer cap for M5 terminal of AlMgSi₁ (Only for terminal with outer diameter 10mm)

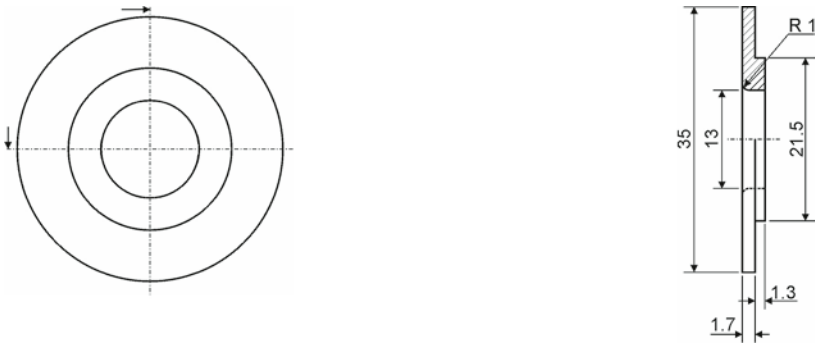
Distanzkappe für Anschlüsse M5 aus AlMgSi₁ (Nur für Anschluss-Außendurchmesser mit 10mm)



Product Code: **SC3 – 14M5**

> Insulating washer of Polyamide PA 6

Isolierscheibe aus Polyamid PA 6



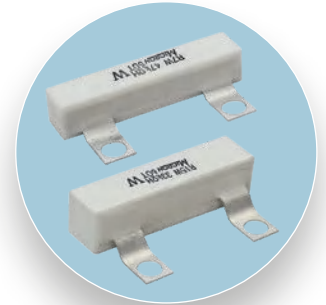
Product Code: **IWD – 35 – 13 – UL**

Balancing Resistors · Symmetriewiderstände · TCR Series

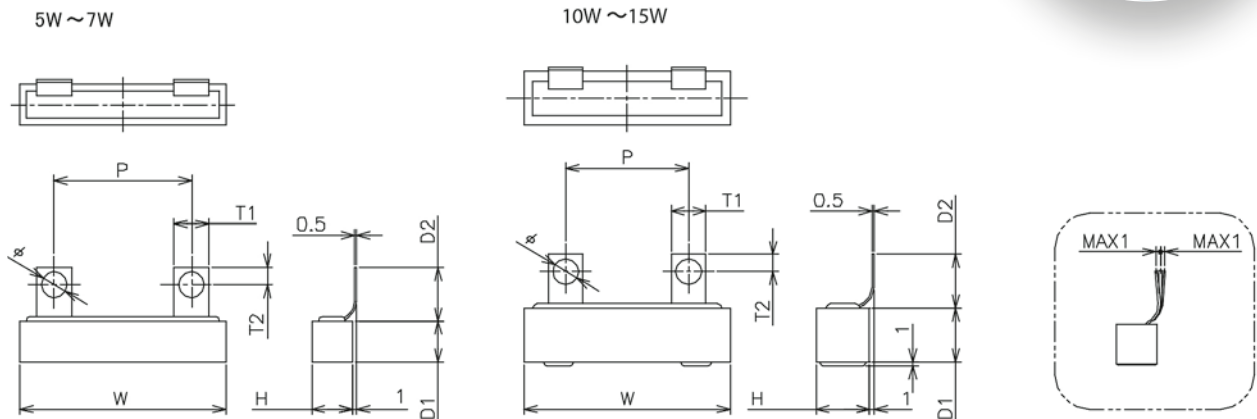
> Type, Rated Power, Resistance, Tolerance · Type, Leistung, Widerstand, Toleranz

Rated Power	Nominal Resistance Range
5W	100Ω ~ 81kΩ
7W	200Ω ~ 100kΩ
10W	200Ω ~ 150kΩ
15W	510Ω ~ 200kΩ

Resistance Tolerance	
Code	Tolerance
H	± 3%
J	± 5%
K	± 10%



> Shape · Bauform



> Rated Power, Dimensions · Leistung, Abmessungen

Rated power (W)	Installation pitch		Dimensions (mm)							
			P	W	H	D1	D2	T1	T2	Ø
05	L	22.0±1.0	22.0±1.0	35.0±1.5	9.5±1.0	9.5±1.0	12.5	8.0	4.0	6.0
07	M	28.6±1.0	28.6±1.0	48.0±1.5	9.5±1.0	9.5±1.0	12.5	8.0	4.0	6.0
07	W	32.0±1.0	32.0±1.0	48.0±1.5	9.5±1.0	9.5±1.0	12.5	8.0	4.0	6.0
10	M	28.6±1.0	28.6±1.0	48.0±1.5	12.5±1.2	12.5±1.2	12.5	8.0	4.0	6.0
10	W	32.0±1.0	32.0±1.0	48.0±1.5	12.5±1.2	12.5±1.2	12.5	8.0	4.0	6.0
15	W	32.0±1.0	32.0±1.0	48.0±1.5	12.5±1.2	12.5±1.2	12.5	8.0	4.0	6.0

> Product Code

Example: Series TCR

TCR	05	M	823	H
Element Identification Code	Rated Power (for instance 5W)	Terminal Pitch W = 32.0 mm M = 28.6 mm L = 22.0 mm	Nominal Resistance (for instance 82x103 Ω)	Tolerance
Standard-Typen (Other values on request · Andere Werte auf Anfrage):				
		TCR05L823H	TCR10M683H	TCR10W473H
		TCR05M823H	TCR10W683H	TCR15W273H
		TCR07L683H	TCR10M473H	TCR15W333H

Handling Cautions

NOTES TO USERS OF ALUMINUM ELECTROLYTIC CAPACITORS

Before using the products, please read the notes for proper use.

1. Operating environment

- Water, saltwater, oil or other electrically conductive liquid on a capacitor, or using a capacitor when it is damp with dew may cause a failure. Oil on the rubber seal or safety vent may cause a decline in airtightness. Do not use any capacitor in contact with liquid. Do not use capacitors that have been immersed in rainwater or other contaminated water.
- Do not use or leave a capacitor in areas where there is halide compound gas such as hydrogen sulfide, nitrous acid, sulfurous acid, chlorine and bromine, ammonia or other hazardous gas. The ingress of any of these gases into a capacitor may corrode it.
- Do not use or leave a capacitor in an area exposed to ozone, ultraviolet light or radiation.
- Powders (dust, etc.) that settle between terminals can absorb moisture and cause corrosion and tracking of the terminal. When there is conspicuous dust between terminals, stop the current, allow the capacitor to discharge and wipe the terminals with paper or a towel lightly dampened with water or ethanol. Do not use cleaning agents or other chemicals.
- Do not use a capacitor in an area subject to excessive vibration or impact.

2. Operating conditions

2.1. Operating temperature, ripple current

- Check the operating and installation environment and use the capacitor within the range of the rated performance specified in the catalog or specifications.
- Maintain operating temperature and ripple current within the specified ranges. Base your choice of capacitors on the maximum load conditions. A capacitor will overheat under excessive current, potentially resulting in short circuit, fire or other major failure.
- A capacitor also generates the self-heating. Please bear in mind that the capacitor heats up the interior of the equipment and take appropriate precautions. Operate the unit under normal conditions and check the temperature of the area surrounding the capacitor.
- The permissible ripple current declines with the rise in ambient temperature (the temperature of the capacitor's surroundings). Consider the permissible ripple current at the maximum predictable ambient temperature.
- Electric characteristics change as frequencies change. Check frequency changes in order to choose the right capacitor.

2.2. Applied voltage and other operating conditions

- In general, capacitors have polarity. Applying reverse voltage or AC voltage to a capacitor may activate the vent or cause a short circuit, fire or other major failure.
- Use a bipolar capacitor for circuits whose polarity reverses. However, as in any other case, do not use a bipolar capacitor in an AC circuit. Use a special AC capacitor for AC voltage.
- Do not apply voltage in excess of the rated voltage. When an AC voltage is superimposed on DC voltage, prevent the peak value from exceeding the rated voltage. Excessive voltage may cause a short circuit, fire or other major failure.
- Specifications on surge voltage have restricted conditions and therefore do not guarantee long hours of operation. Voltage should never exceed the rated voltage of the capacitor, even for brief periods. Choose your capacitor accordingly.
- When connecting more than one capacitor in parallel, give proper consideration to the resistance of the wiring. Establish the connections so that the wiring resistance will be equal at every capacitor.
- When connecting more than one capacitor in series, all must be of identical rating, then the balancing resistors connected in parallel. At that time, design the circuit so that equal voltage levels are applied to all the capacitors. Ascertain that the voltage applied to each individual capacitor does not exceed its rated voltage.
- The balancing resistors are connected in parallel to each capacitor and do all have an equivalent value of resistance apart from their technical conditioned tolerance.
- The worst circumstance is given if the capacitor with the highest leakage current is applied to the most negatively tolerance attributed balancing resistor.
- Concerning the rating of balancing resistors the following points are essential:
 - number of series connected capacitors
 - Ratio of rated voltage of capacitors to bus voltage (voltage over C-battery)
 - Minimum leakage current of capacitors
 - Maximum leakage current of capacitors

- Tolerance of balancing resistors
- To use preferably high-resistance resistors, which cause smaller power losses, their tolerance has to be small ($\leq 3\%$).
- Due to the minimum leakage current of AIC tech Inc. capacitors this is defined for the series connection of two capacitors while the voltage derating is $\geq 5\%$:

T_a	$V_r \leq 450 \text{ VDC}$		$V_r > 450 \text{ VDC}$	
	$C \leq 8200 \mu\text{F}$	$C > 8200 \mu\text{F}$	$C \leq 5600 \mu\text{F}$	$C > 5600 \mu\text{F}$
$< 40^\circ\text{C}$	$R = 82 \text{ k}\Omega$	$R = 68 \text{ k}\Omega$	$R = 68 \text{ k}\Omega$	$R = 47 \text{ k}\Omega$
$40^\circ\text{C} - 70^\circ\text{C}$	$R = 68 \text{ k}\Omega$	$R = 47 \text{ k}\Omega$	$R = 47 \text{ k}\Omega$	$R = 47 \text{ k}\Omega$
$> 70^\circ\text{C}$	$R = 47 \text{ k}\Omega$	$R = 47 \text{ k}\Omega$	$R = 47 \text{ k}\Omega$	$R = 27 \text{ k}\Omega$

- Take into account the service life of the equipment in the use of the capacitor. Use of the capacitor beyond its service life risks such failures as safety vent activation or short circuit. Replace as necessary at regular inspection.
- Do not use a capacitor for a circuit that is quickly charged and discharged repeatedly. Use a dedicated capacitor for an application like a welding unit or photo flash charging/discharging. Consult us for selecting the proper capacitor, since the control circuits of certain rotation equipment, like servo motors, charge and discharge repeatedly.
- Even slow charging/discharging can shorten the service life of a capacitor, resulting in premature failure, where there are marked changes in voltage. Check the installation in your equipment carefully and consult us.
- General purpose capacitors should not be used for a circuit involving rapid charge and discharge or an AC circuit. Capacitors specially made for such applications should be used. Check the self-heating of the capacitor used in such a circuit in addition to the types and levels to be imposed to the capacitor of the rapid charge/discharge, rush current and voltage.

3. Installation

3.1. Before installation

- Check the specifications of the capacitors and install them within the prescribed specifications.
- Do not reverse the polarity. Do not use a capacitor where reverse voltage is applied, even if it appears problemfree. Not taking these precautions could lead to a major failure.
- Dropping or otherwise impacting a capacitor may result in a decline in its electric performance, causing a failure. Do not use any capacitor whose packaging has a noticeable abnormality on delivery.
- Do not distort the shape of the capacitor, which may lead the major failures such as liquid leakage or short circuit.

3.2. Installation method

- Do not install wiring or a circuit pattern near the vent. When the vent is activated, electrolyte may spurt out resulting in short circuit followed by fire or other secondary hazard due to tracking or migration.
- Do not lay out heat-generating components near the capacitor. Radiated heat and other partially high temperatures may shorten the life of the capacitor. PCB temperature that is higher than the internal temperatures of the capacitor markedly hinders the dissipation of heat inside the capacitor, greatly shortening its life. When designing equipment, check temperature distribution first.
- When installing the vent of the capacitor against the PCB, drill a gas bleeder hole to allow the gas to escape when the vent is activated. If the diffusion of gas is hindered while the vent is in operation, the internal pressure can rise, with danger of explosion, fire or other serious failure.

Capacitor diameter	Clearance
$\varnothing 16 \sim 35$	3 mm or more
$\varnothing 40$ or more	5 mm or more

3.2.1. Snap mount type capacitors

- Do not connect the blank terminal (reinforced terminal) of multi-terminal (3-, 4-) snap mount capacitors, as this could cause a short circuit.
- Use a completely isolated circuit between the case and the electrode terminal, and between the case and the circuit pattern.
- Do not hinder the activation of the vent. Allow for the following clearance above the vent. If dissipation of gas is inhibited while the vent is in operation, the inner pressure will rise, with danger of explosion, fire or other major failure.

Handling Cautions

- Solder at 260°C for not more than 10 seconds (in the case of dip) or at 380°C for not more than 3 seconds (in the case of tip of iron). Exceeding these specifications may result in a decline in electrical performance, leading to trouble. Do not let the tip of the soldering iron come in contact with the capacitor body.
- If it becomes necessary to remove a capacitor after soldering, melt the solder with a soldering iron to avoid subjecting the terminals to stress.
- Flux on the rubber seal may result in corrosion. Do not flux stick to any part other than the terminals.

3.2.2. Screw-terminal type capacitors

- Following mounting positions are recommended for screw type capacitors:
 - upright (vertical), terminals side face upwards
 - on the side (horizontal), anode above cathode terminal
 - on the side (horizontal), vent faces upwards
- The upside-down position (terminals face downwards) should not be used. If a capacitor is installed sideways, please put anode terminal or vent upward.
- Screw type capacitors with stud bolt mounting must be fixed insulated.
- Please refer to "Tightening torques for terminals and mounting options" for further notes.
- If a terminal screw is loose or angled, that portion generates heat, with a danger of fire or other serious failure. Check that the screw is inserted on the perpendicular and securely tightened.
- We recommend a bar hole diameter of 6mm for M5 terminals. An excessively large hole diameter may result in poor contact between the terminal surface and the bar, causing local heat buildup, with a danger of fire or other serious failure.
- Do not apply physical stress (tightening with fixtures, etc.) to the curled portion (seal contacting the case and cap). Any such practice may cause a liquid leak or sleeve breakage.

4. About washing PCB and fixative

- In washing, please avoid using a material which destroys the ozone layer.
- For cleaning flux, we recommend an aqueous or higher alcohol detergent or isopropyl alcohol. The recommended concentration of flux with regard to the cleaning agent is 2wt% or less. Excessively high flux concentration may cause corrosion due to halide. For use of other cleaning agents, consult us.
- If you must clean the capacitor with halogen solvents, etc., we recommend that you use washable capacitors. Make sure that the cleaning conditions are within those stipulated in the specifications, and measure the cleaning agent for conductivity, pH, specific gravity and moisture content for contamination control. After cleaning, thoroughly dry the capacitors together with PCBs. Do not store the capacitors in the same atmosphere as the cleaning agent or in a sealed container. For details on washable capacitors, consult us.
- Thoroughly remove all traces of the cleaning agent from the capacitor. Even when not cleaning the flux, dry the flux itself. Cleaning agent or flux residue may cause the halide to penetrate the rubber seal, leading to corrosion.
- When fixing a PCB and capacitor with a coating agent or fixative, use a substance completely free of halide compounds. Thoroughly dry the flux or detergent before applying the coating. Do not let the coating block the entire surface of the seal. Any halide compound present in the coating may lead to corrosion.

5. Storage

- Store all capacitors indoors at a temperature of 5–35°C (primarily below 25°C) and relative humidity of not more than 75% RH (25°C), away from direct sunlight. Store capacitors in their original packaging whenever possible.
- The base shelf life of capacitors is 3 years. The useful shelf life of capacitors is 5 years under proper storing conditions.
- Capacitors which have been on the shelf for more than 3–5 years may have high leakage current. Treat them with appropriate voltage before using. As treating method, we recommend the past forming process as below at room temperature:
 1. Firstly, 80% of rated voltage applied and keep 1 hour after reaching 80% of rated voltage.
 2. Secondly, 90% of rated voltage applied and keep 1 hour after reaching 90% of rated voltage.
 3. Finally, 100% of rated voltage applied and keep 1 hour after reaching 100% of rated voltage.
- Even after discharged, capacitors may hold an electrical charge due to re-striking. Do not touch the terminals with bare hands. Touching the terminals could cause an electric shock. Discharge all capacitors with a resistor (approx. 1kΩ) or a discharge plate before use.

6. About fumigation

- To control insects during export, fumigation may be done using halide compounds such as methyl bromide. Direct fumigation of capacitors or equipment incorporating capacitors or use of fumigated timber as a pallet may cause corrosion inside a capacitor, resulting in failure. Even when covered in plastic, chemicals may penetrate through small gaps. Likewise, do not apply insecticides directly on or near the capacitors.
- When using a sterilizer against infectious diseases, do not spray it directly on or close to capacitors and equipment incorporating capacitors. Some sterilizers contain a high concentration of halide compounds. The sterilizer spray may accelerate internal corrosion, resulting in failure.

7. Miscellaneous

7.1. Maintenance and servicing

- Conduct periodic checkups on capacitors for industrial equipment. Before each periodic checkup, turn off the equipment and completely discharge the capacitor. Follow these checkpoints:
 1. Appearance: condition of the vent (open, notably swollen), liquid leaks or other considerable abnormality.
 2. Electrical performance: capacity, tangent of loss angle, leakage current, and other items specified in the delivery specifications.
The standard temperature for measuring electrical performance is 20 °C. Leave the capacitor at 20 °C and wait for the inside of the capacitor to reach the specified temperature before taking measurements.
- Please ask us the advisability of using capacitor which is inspected.
- Replace all capacitors whose service life has reached its end. When replacing one capacitor, always replace all of them. Mixing old and new capacitors may cause an imbalance in the ripple current or voltage sharing, risking failures such as activation of the vent or short circuit.

7.2. In an emergency

- If gas is detected while a product is in use, turn off the main power supply or unplug it.
- When the safety vent of a capacitor is activated, a hot gas exceeding 100 °C will escape. Do not place your face in close proximity to the vent and avoid proximity to areas exposed to the gas.
- Should the gas jet get in your eyes, wash them immediately with clean water. If you inhale the gas, gargle immediately. The gas is composed of a gaseous form of hydrogen or organic solvents.
- Should the electrolyte come in contact with your skin, wash with soap and water. Never put it into your mouth.

7.3. For scrapping

- Scrapped capacitors are classified as scrapped metal. For disposal they are handled as controllable industrial waste because of the nature of the contents (electrolyte). Most of the material is aluminum and cannot be completely burned.

7.4. Remarks

- For details, see the Guidelines on the Operation of Fixed Aluminum Electrolytic Capacitors for Electronic Equipment EIAJ RCR-2367B March, 2002 issue.
- Specifications are subject to change without prior notice for product improvement.

8. Quality and useful life

- The specification of quality data – which always refers to a fairly large number of components – does not constitute a guarantee of characteristics or properties in the legal sense. However, agreement on the specifications does not mean that the customer may not claim for replacement of individual defective capacitors within the terms of delivery. We cannot, however, assume any further liability beyond the replacement of defective components. This applies in particular to any further consequences of component failure.
- Furthermore, it must be taken into consideration that the figures stated for useful life and failure rate refer to the average production status and are therefore to be understood as mean values (statistical expectations) for a large number of delivery lots of identical capacitors. These figures are based on application experience and data obtained from preceding tests under normal conditions, or for purposes of accelerated aging – more severe conditions.
- Glossary
 - V_r** Rated voltage
 - I_r** Ripple current
 - I_L** Leakage current
 - T_a** Ambient temperature
 - ESR** Equivalent Series Resistance
 - ESL** Capacitor self-inductance
 - Z** Impedance
 - DC** Direct Current
 - RMS** Root mean square (e.g. of ripple current)

AICtech



AIC EUROPE

Sales & Marketing in Europe of **AIC** Components

AIC Europe GmbH

Adolf-Dembach-Straße 12
D-47829 Krefeld/Germany
E-Mail: info@aic-europe.com
Phone: +49 2151 4943-5
Fax: +49 2151 4943-80

www.aic-europe.com