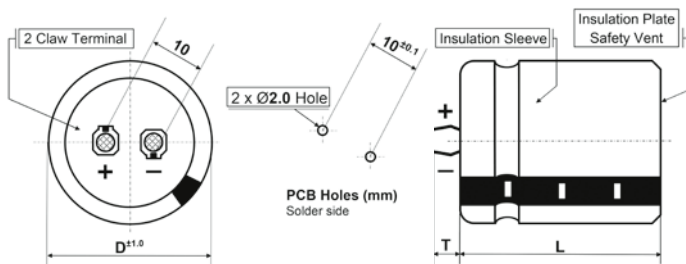
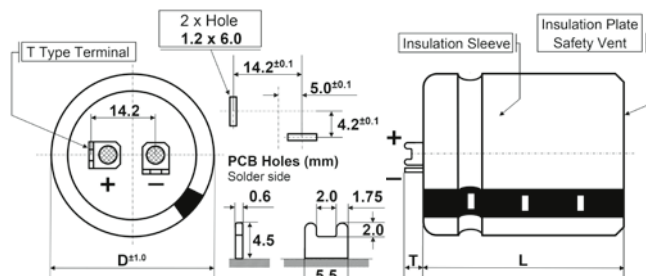




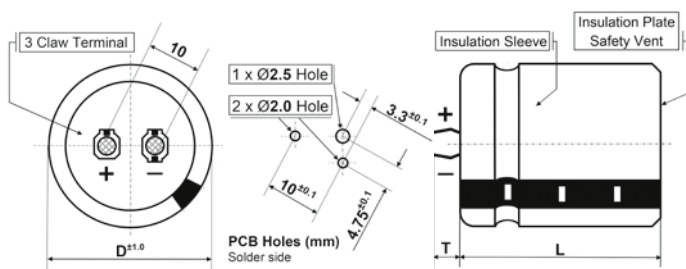
> Snap-in Outline Drawings · Snap-in Bauformen



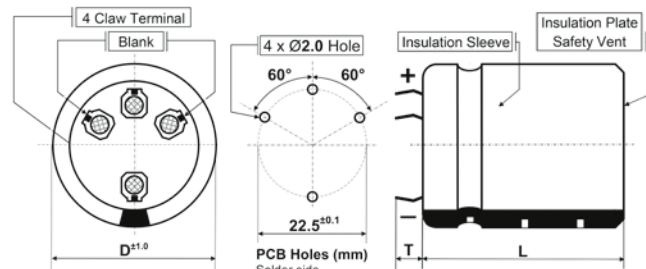
Shape · Form: **R** (D = 20 ~ 35 mm, long pin **T** = 6.3 ± 1.0 mm)
C (D = 20 ~ 35 mm, short pin **T** = 4.0 ± 0.5 mm)



Shape · Form: **T** (D = 30 ~ 40 mm, **T** = 4.5 ± 0.5 mm)



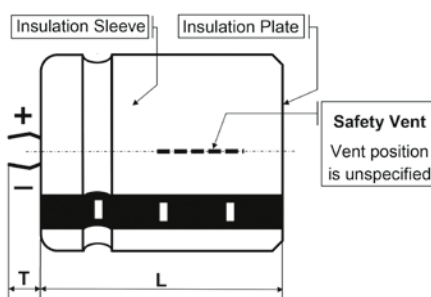
Shape · Form: **E** (D = 22 ~ 35 mm, **T** = 4.0 ± 0.5 mm)



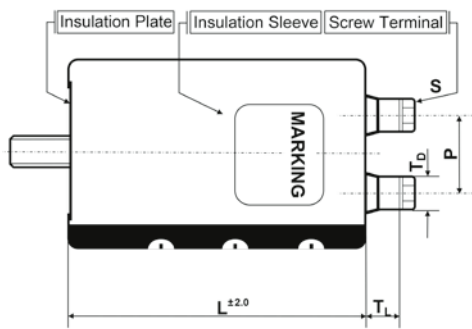
Shape · Form: **S** (D = 35 ~ 46 mm, long pin **T** = 6.3 ± 1.0 mm)
X (D = 35 ~ 46 mm, short pin **T** = 4.0 ± 1.0 mm)

> Side vent · seitliches Ventil

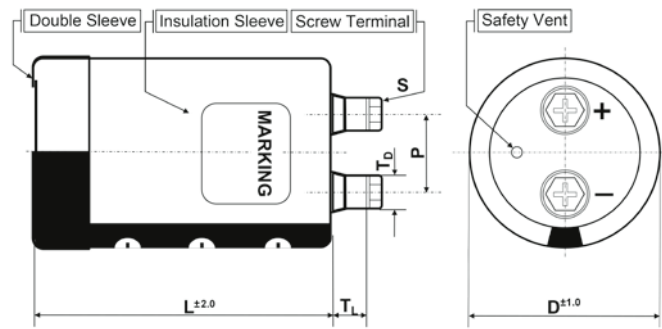
- standard design for ZR2 series
serienmäßig bei ZR2
- optional design for HP3, HU3, HU & ZR
auf Wunsch auch für HP3, HU3, HU & ZR



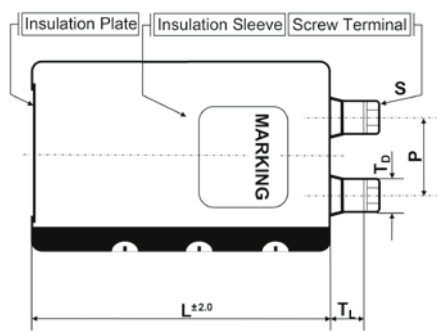
> Screw Type Outline Drawings · Schraubanschluß Typ Bauformen



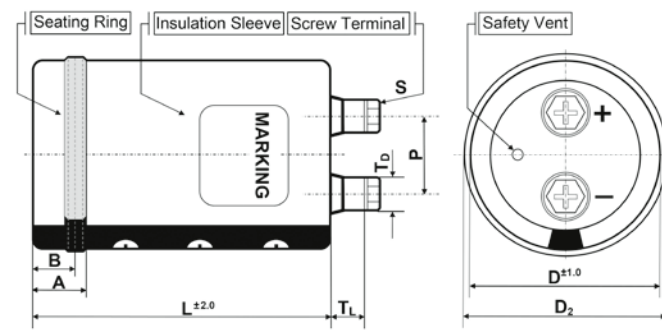
Shape · Form: **B = stud bolt** (not isolated)



Shape · Form: **I, Y, X = bottom double sleeve**
for metal bracket mounting
I type: 2 fixing point – Ø D = 36-90 mm
Y type: 3 fixing point – Ø D = 51-101 mm
X type: 4 fixing point – Ø D = 121 mm



Shape · Form: **N** (for PBT-Holder – ØD=77-101 mm or for press ring – ØD=64-90 mm or customized)



Shape · Form: **N** with Suffix **WC** (blank bottom and integrated seating ring for radiator mounting – ØD=77-90 mm)

Capacitor	Terminals (Standard)			Stud bolt
	ØD	P	S ¹⁾	I _{r max}
36	12.7	M5x10	60A	M8x10
51	22.0	M5x10	60A	M12x16
64	28.6	M5x10	60A	M12x16
77	31.5	M5x10 ²⁾	60A	M12x16
		M6x12 ³⁾	100A	
90	31.5	M5x10 ²⁾	60A	M12x16
		M6x12 ³⁾	100A	
101	31.5	M6x12 ⁴⁾	100A	M12x16
		M8x16 ⁵⁾	120A	
121	41.5	M6x12	100A	-
	41.5	M8x16	120A	

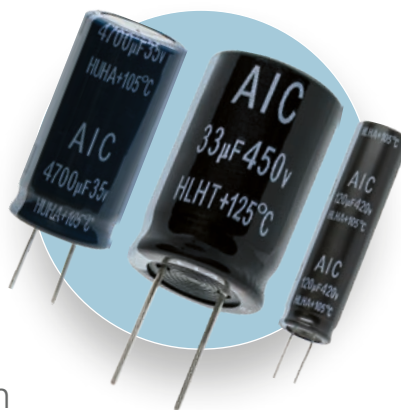
¹⁾ First listed terminal is standard, if not mentioned in the product code

²⁾ All series except HCGW2, HCGW3, VFR, VFLR, VGR, VGLR, FXW2

³⁾ HCGW2, HCGW3, VFR, VFLR, VGR, VGLR, FXW2

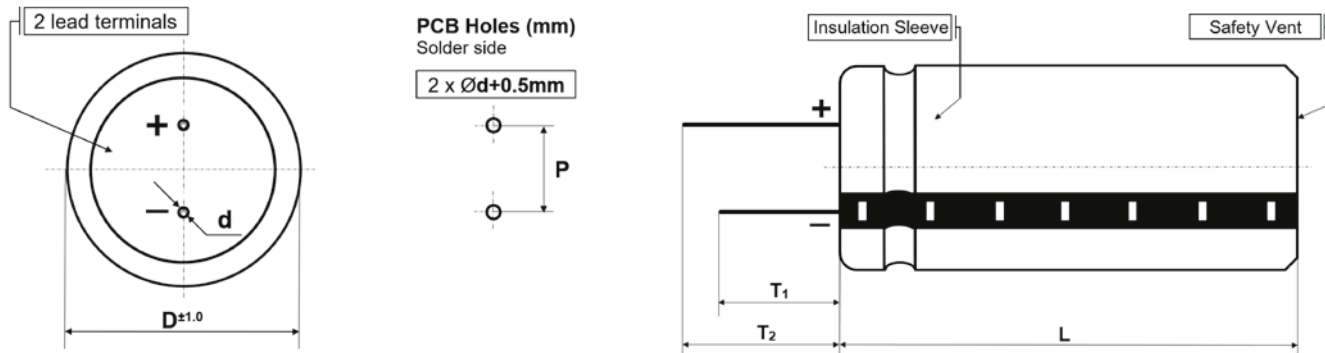
⁴⁾ HCGF5, HCGF6, HCGW, FXW

⁵⁾ FX2



> Radial Outline Drawings · Radiale Bauformen

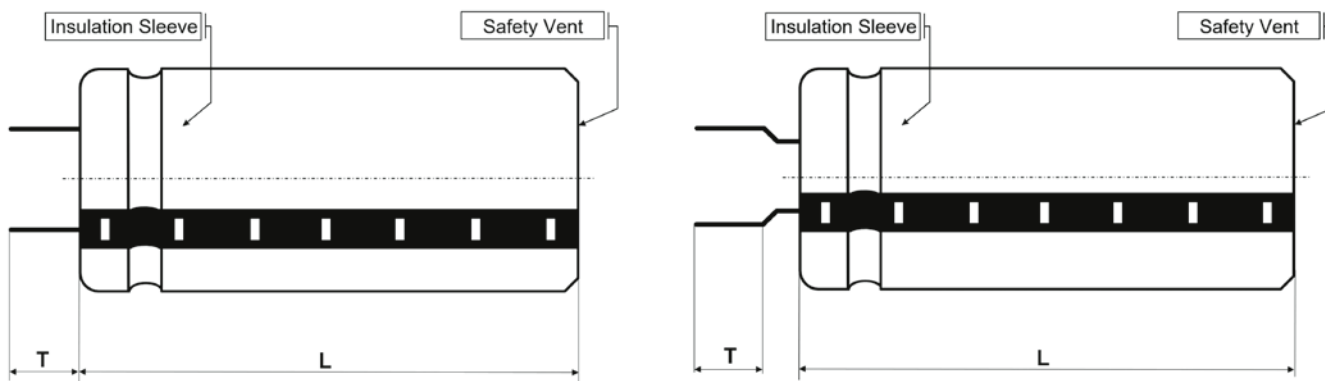
Shape · Form: **L** (long lead T1 = 15 mm min, T2 = 20 mm min)



Diameter [D mm]	5.0	6.3	8.0	10.0	12.5	16.0	18.0	20.0	22.0
Pitch (P mm)	2.0	2.5	3.5	5.0	5.0	7.5	7.5	7.5*	10.0
Lead diameter (d mm)	0.5		0.6			0.8		1.0	

* Also available with P = 10.0 mm

Shape · Form: **CUT**



Straight lead / bended lead	C	D	E	F
T (± 0.5 mm)	4.5	4.0	3.5	3.0

Shape · Form: **bended** or **taped** available on request